

What if shower renovation was simple, fast and clean?

Technical Handbook
January 2024



...wedi®

Contents

01 What is wedi?

- 3 wedi Product Composition
- 4 wedi in 5 Steps Process
- 5 Step 1: Choose a shower base
- 6 Step 2: Choose building panels
- 8 Step 3: Choose prefabricated modules and design upgrades
- 9 Step 4: Choose installation accessories
- 11 Step 5: Choose premium finishing upgrades

02 Point Drain Shower Systems

- 12 Point Drain Shower Systems
- 13 Fundo Shower Base - Drain Assembly and Base Modification if Needed
- 14 wedi Fundo® Shower base and wedi Fundo® Shower Kit - Installation Manual
- 30 wedi Fundo® Curbless Shower Base and wedi Fundo® Curbless Shower Kit - Installation Manual
- 27 wedi® Curbless Shower Recess Kit
- 30 wedi® Extension Panels

03 Linear Drain Shower Systems

- 36 Linear Drain Shower Systems
- 37 Fundo Linear Shower Base - Drain Assembly and Base Modification if Needed
- 38 wedi Fundo® Linear Shower Base - Installation Manual
- 41 wedi Fundo® Linear Shower Module and wedi Fundo® Linear Shower Kit - Installation Manual

04 Building Panel Systems

- 48 wedi® Building Panels
- 50 wedi® Vapor 85

05 Prefabricated Modules and Design Upgrades

- 54 wedi Sanoasa® Benches 1-4
- 56 wedi® Shower Seats and Benches
- 58 wedi® Curbs and Ramps
- 59 wedi® Shower Niches

06 Installation Accessories

- 61 wedi® Subliner Dry System
- 63 wedi® Fasteners Kits
- 64 wedi® Joint Sealant & wedi® Sealant 620

07 Premium Finishing Options

- 65 wedi® Point and Linear Drain Covers
- 66 wedi® Shower Niche Shelves

08 Technical Data

- 67 Technical Properties
- 68 ICC-PMG 1189 Report
- 69 Requirements and Limitations
- 74 Technical Drawings

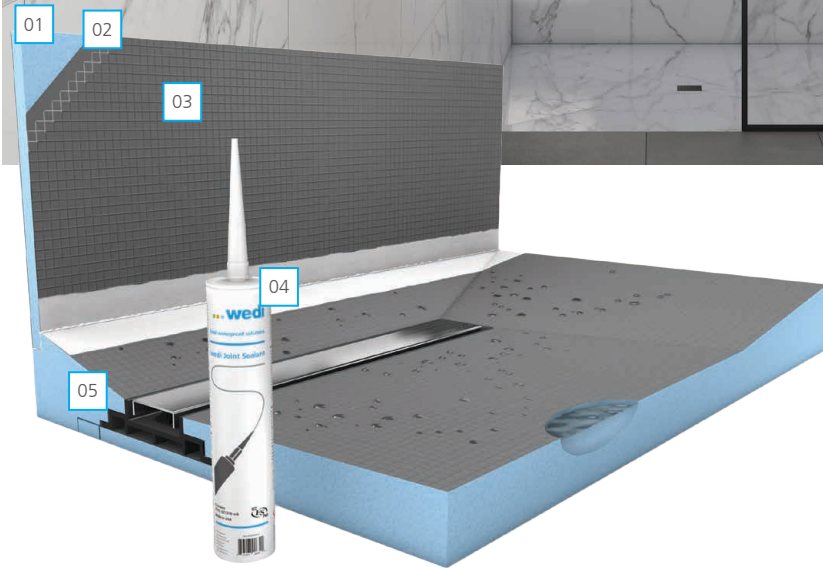
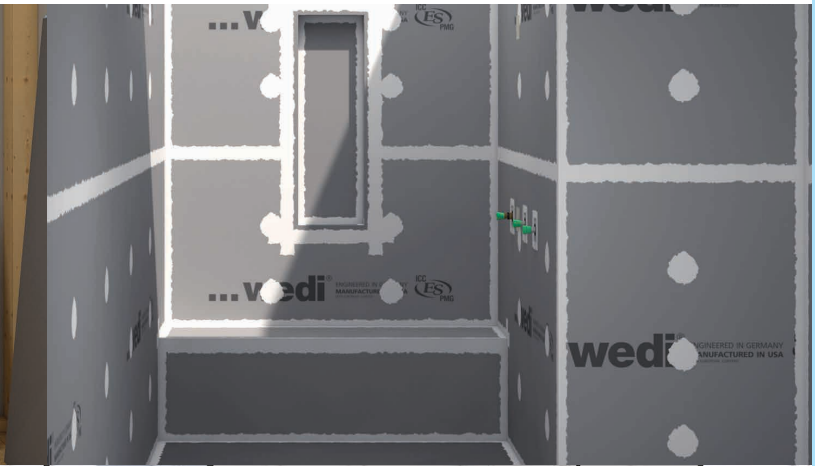
09 Services, and Added Value

- 92 wedi Warranty
- 92 wedi Certified Installer and Certified Installer PRO Program
- 93 wedi First Time Job Assistance Program
- 94 wedi Authorized Dealer Program

10 Product Order Information

- 95 wedi Fundo® Shower Bases
- 98 wedi® Building Panels
- 99 Prefabricated Modules
- 103 Installation Accessories
- 106 Drain and Drain Covers
- 111 wedi Fundo® Shower Kits

01 What is wedi?



- 01 wedi closed cell XPS foam core for waterproofing and lightweight handling
- 02 embedded mesh reinforcement for highest tile backing strength
- 03 wedi cement resin coating for highest bond strength to tile adhesives
- 04 wedi® Joint Sealant: waterproofing and reinforcement of seams with no build up
- 05 factory integrated and waterproof wedi Fundo® Click and Seal® technology

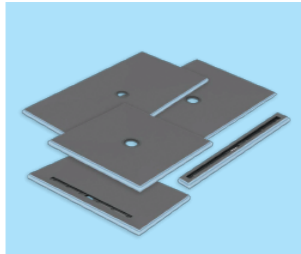
wedi, pronounced “vee-dee,” is a company belonging to the Ardex group of companies that offers 40 years of experience as your specialist, and partner, in premium 100% waterproof and mold-proof, directly-tileable building panels and customizable shower systems. The simple nature of the system helps prepare tiled showers faster than possible with other methods because it includes relatively few parts and pieces, and is easy to understand and assemble. This helps to create a more consistent installation that reduces the likelihood of error, and is fully backed by a manufacturers’ warranty.

wedi Corporate Office Phone 847-357-9815 1160 Pierson Drive www.wedicorp.com
E-Mail info@wedicorp.com Batavia, IL 60510

How to build a complete wedi shower in 5 Steps

While many of the wedi shower systems are marketed as complete kits in one box, there is also a wide range of à la carte product options to create a completely custom shower design. This section will explain which products are needed to create a shower floor or wall, which products are needed to equip the shower with niches or benches, and which installation accessories are necessary for the assembly.

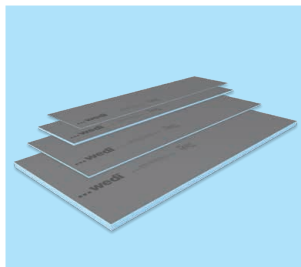
On the following pages, we will guide you through the simple 5-step process of putting together a wedi shower system.



Step 1: Choose a Shower Base

wedi® Shower Bases are needed for the shower floor and offer a prefabricated, consistent slope to the integrated wedi drain, and are 100% waterproof and moldproof. The bases are quick and easy to install, and come in a variety of sizes and designs.

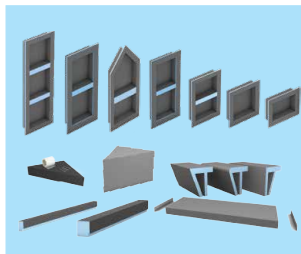
- wedi Fundo® Shower Base: shower base with a point drain (center or off-center)
- wedi Fundo® Curbless Shower Base: curbless entry shower base with a point drain
- wedi Fundo® Linear Shower Base: shower base with a linear drain



Step 2: Choose Building Panels

wedi® Building Panels are needed to build and waterproof the shower walls. They are the ultimate versatile wet room tile backer board, and are often used within the range of wedi shower systems as well as for walls, floors, countertops, and many more applications. Vapor 85 is a special building panel for use in steam rooms and showers.

- For shower and bath tub walls, use wedi® Building Panels
- For steam rooms and steam showers, use wedi® Vapor 85 panels
- For use when constructing bathroom seats and benches
- For building out shower walls behind mosaic tile strips or bands



Step 3: Choose and Add Prefabricated Modules and Design Upgrades

wedi® Prefabricated Modules open up a whole new world of design possibilities for showers, wet areas, and baths. These are optional design upgrades that offer functional value to showers while integrating into the waterproof system installation.

- Benches and Seats
- Curbs
- Recessed Niches
- Sloped Shower Ramps



Step 4: Choose Installation Accessories

wedi® Installation Accessories & tools are needed to seal, connect, and finish the shower system in our fully-waterproofed installation.

- wedi® Joint Sealant or wedi® Sealant 620
- wedi® Subliner Dry waterproof sheet membranes and tapes
- wedi® Fastener Systems (washers and screws)
- Tools for wedi installations (wedi® Corner Putty Knife, wedi® Sealant Gun, etc.)



Step 5: Choose Premium Finishing Upgrades

wedi® Drain Covers are sold à la carte to allow further customization of the final shower designs. We offer point and linear drain covers in a variety of finishes. Choose one that matches the finish of your other shower fixtures. See all available options on page 66.

- Point drain covers available in brushed brass, matte black, oil-rubbed bronze, chrome, gold, and brushed stainless steel; slotted or tileable
- Tileable point drain covers available in two sizes
- Linear drain cover options: matte black and stainless steel; tileable; channel frame trims available

Putting together a wedi shower system

Step 1: Choose a shower base

Here is how you select the right shower base size to fit the job in most cases:

Determine the distance between the center of the 2 in. pipe in the subfloor to all framed walls and where you plan to have the inside of a wedi curb (as if it were another framed wall). Next, take note of the longest dimension of the two distances measured along each axis (east/west and north/south).

You will need to select a shower base that covers twice the length of the longest dimensions along each axis. This will ensure that the shower base will cover the entire shower area and, if needed, can be trimmed on-site to position the integrated wedi drain over the 2 in. wastepipe in the subfloor.

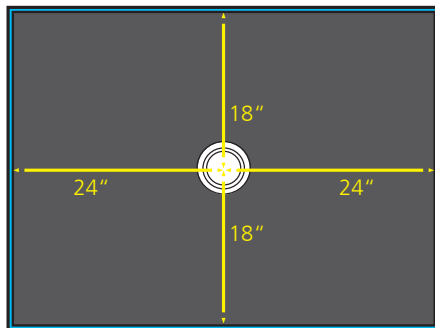
This method of calculating the correct shower base works for square and rectangular spaces with a mostly-centered drain location. Where drains are very close to a wall, one of our off-center drain bases should be used, if possible. Refer to our Technical Drawings section to select the correct base that will cover your shower dimensions and properly align the integrated wedi drain with the floor drain pipe.

See an example here: where we picked a 36 in. x 48 in. wedi Fundo® Shower Base to fit best into a shower space with an offset drain, measured at 16 in. from the east/west wall and 18 in. from the north/south wall:

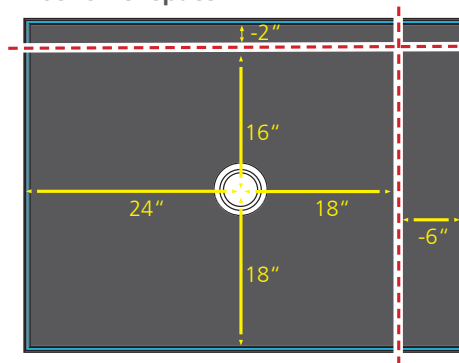
Offset drain location in 34 in. x 42 in. shower area



wedi Fundo® Shower Base 36 in. x 48 in. Base with Center Drain



Cuts on 36 in. x 48 in. shower base to fit shower space



i When modifying shower bases, always remember to recreate the prefabricated perimeter channel.

Please consider the individual perimeter thickness of wedi shower bases so that floor recesses and floor transitions can be properly planned, especially when designing curbless showers.

Putting together a wedi shower system

Step 1: Choose a shower base

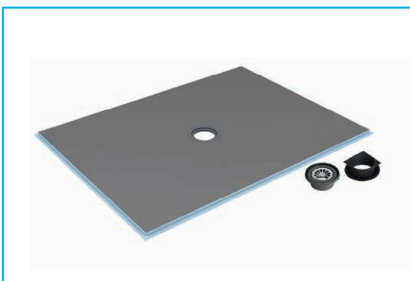


wedi Fundo® Shower Base

The original wedi® shower base with center or off-center drain locations. These robust, pre-sloped, waterproof shower floor bases come with a wedi® Fundo Click and Seal® Drain Kit. You can select one of our square wedi® Drain Cover options to fit the preferred design.

Key features:

- Multiple base sizes and extensions available: all customizable on site, if needed
- Square and rectangular base options with center or off-center point drain locations
- Slope design allows for use of small- or large-format tile when cut along slope lines
- Install over various types of subfloors

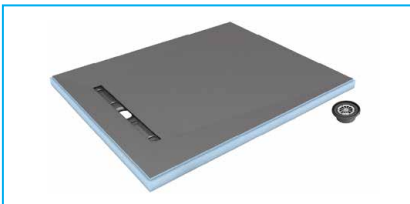


wedi Fundo® Curbless Shower Base

These pre-sloped and waterproof shower bases are designed with a low profile perimeter thickness ranging from $\frac{3}{4}$ in. to $1\frac{1}{8}$ in. to allow for an easier recess into subfloor construction or when barrier-free entry is required (where the shower base surface needs to be flush with the surface of the underlayment products used on the adjacent bathroom floor). They come with a wedi® Fundo Click and Seal® Drain Kit. You can select one of our square wedi® Drain Cover options to fit the preferred design.

Key features:

- Use in combination with wedi® Subliner Dry sheet waterproofing membrane or wedi Building Panels applied at least 2 $\frac{1}{2}$ ft. out into the bathroom floor area for a waterproof transition.
- When used with a wedi® Curbless Shower Recess Kit Installation Kit, you can easily and safely recess single layer $\frac{3}{4}$ in. plywood subfloors in between 16 in. on-center floor joist deigns (solid joists or engineered I-joists)



wedi Fundo® Linear Shower Base

wedi Fundo® Linear Shower Base

These pre-sloped and waterproof shower bases come with an integrated linear drain channel and a wedi® Fundo Click and Seal® Drain Kit. The linear bases offer a 4-way slope, while the wedi® Linear Shower Module offers a 1-way slope extension slope. You can select one of our linear wedi® Drain Cover options to fit the preferred design.

Key features:

- Linear base: single-piece base featuring a 4-way slope design and level perimeter for safe recessing into a subfloor construction
- Linear shower module: requires two components: the linear shower module and extension module, featuring a one-way slope with close-to-wall drain placement



wedi Fundo® Linear Shower Module

i Did you know? If our standard shower base sizes do not fit your custom shower space, you can cut larger wedi bases to a smaller-size base or you can choose from many of our pre-sloped extension panels to make a smaller base larger. Cutting or extending can be done on one or all sides of a wedi shower base. Cuts should not be made in areas within 4 in. of the drain flange in Fundo shower bases, or within 6 inches of drain reinforcement discs (made from stainless steel and located on the underside of curbless shower bases. No cuts should be made in the area where channel drains are integrated into linear shower bases (inserts outlined on the underside of the linear base or module).

For options and pricing, refer to wedi's Illustrated Price List or www.wedicorp.com.

Putting together a wedi shower system

Step 2: Choose building panels

To determine the size and quantity of wedi® Building Panels you will need for your shower, please follow the steps outlined below:

First, you must calculate the total area of the shower walls. To do this, measure the area of each shower wall by multiplying the length of the wall by the height. The height of each wall will be determined based on how high you plan to install the tile. Next, add the calculated square footage of each wall together to determine the combined sum of all the shower walls. Account for about 15% extra square feet of building panel for any waste cuts by multiplying the combined area of all shower walls by 1.15.

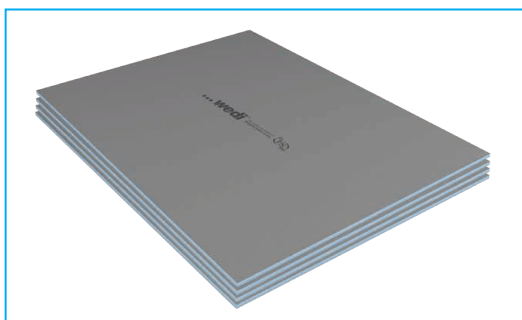
Next, divide the total area of the shower walls by the square foot area of the wedi® Building Panels you plan to use (eg: 4 x 5 ft. building panel = 20 square feet). A total shower wall area of 115 square feet divided by 20 square feet per building panel gives us a total of 5.75 building panels. Remember to always round up to the next whole building panel.

Tip: choose the wedi® Building Panel sizes that will keep your installation process fast, efficient, and eliminate unnecessary seams and waste. For example: a shower wall that is 5 feet wide and 8 feet high can be covered with TWO of the 4 x 5 foot wedi building panels, whereas that same wall would require THREE of the 3 x 5 foot building panels, resulting in an extra seam and wasted product.

Please note, wedi® Building Panels must extend to the outside edge of the shower curb element for proper water-proofing, so be sure to account for the added dimensions of the shower curb to your shower side walls when determining the size of the building panels. For example, a 3 x 5 foot building panel is NOT a good option for a 36 in. shower wall, where the curb extends beyond the 36 in. shower base, because you will have to install the panel horizontally to reach the outside edge of the curb, resulting in unnecessary waste.

In general, the larger building panels are the more economic option. The traditional 3 x 5 foot building panels are most often used for tub surrounds where the true dimensions of the tub are closer to 32 in. x 60 in.

Please note: in steam shower projects, you will also need enough Vapor 85 building panels to cover the ceiling (calculate square feet as you did for walls, and choose the largest panels possible for faster and cleaner installation with fewer seams to treat overhead).



wedi® Building Panels

The perfect waterproof tile backer board and substrate for nearly any wall, floor, or ceiling application in interior wet areas. A variety of sizes and thicknesses to accommodate different projects and applications.



wedi® Vapor 85

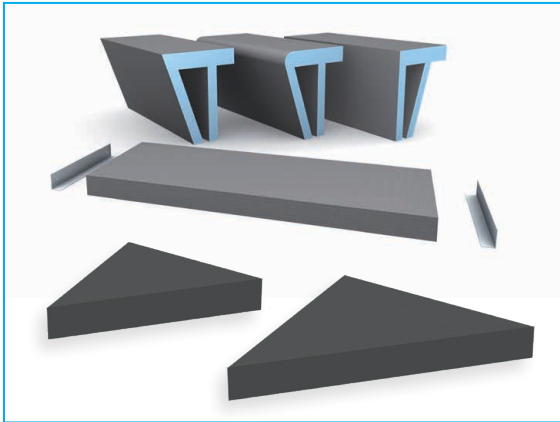
The wedi® Vapor 85 Building Panel is used for steam rooms, and steam showers.

i For options and pricing, refer to wedi's Illustrated Price List or www.wedicorp.com.

Putting together a wedi shower system

Step 3: Choose prefabricated modules and design upgrades

wedi offers a variety of customizable add-ons and design upgrades. Made from prefabricated wedi® Building Panels, these additional items offer the same durability and waterproof seal as the rest of our shower system. wedi prefabricated modules can be cut to fit any size and can bring added comfort, functionality, organization, and safety to any shower, bath, or wet room design.



wedi® Shower Seats and Benches

Seating options inside a shower design can add both value and comfort. Choose a seat or bench that best compliments your shower design.

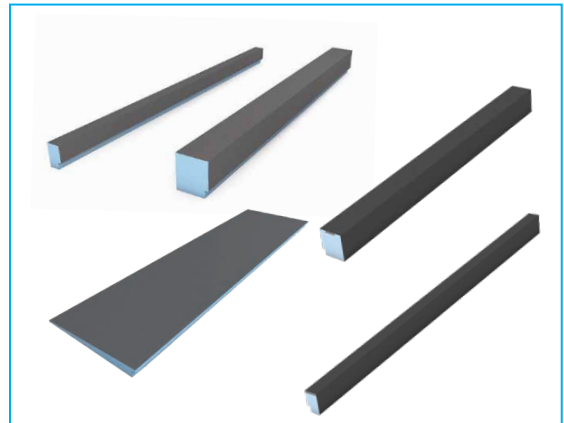
- Prefabricated, slightly-sloped bench options
- Suspended seat solutions with mounting brackets for existing framing
- If our prefabricated options don't fit your design, you can create a custom piece using 1½ in. or 2 in. building panels



wedi® Shower Niches

The perfect fit for all shower necessities like shampoo bottles in all sizes. Our wedi® Shower Niches are made from the waterproof wedi® Building Panel for absolute strength and integrate smoothly into every wedi shower installation.

- Can be trimmed or extended if needed
- Further customization can be achieved by utilizing wedi® Shower Niches Shelf options in place of the adjustable shelves that are included with our larger niche options. (Shelf information available in Step 5).



wedi® Shower Curbs and Shower Ramp

Use wedi® Shower Curbs for shower entry designs where safe and sound transitions are required.

- Shower Curbs can hold the weight of any common glass door.
- Shower Curb AT (anchor track) models allow for the installation of door channel profiles or fittings with fasteners where needed.
- For ADA compliant entry designs without a recessed shower floor space, we offer our ADA ramp to create safe access up into the shower floor.

i For options and pricing, refer to wedi's Illustrated Price List or www.wedicorp.com.

Putting together a wedi shower system

Step 4: Choose installation accessories

Now it's time to put your wedi shower system together. Whether it is a traditional shower or steam shower, wedi offers all the accessories needed to complete the installation with safety and ease. At wedi, we understand that details such as seams and fasteners are critical in the performance of the entire wedi system.



Sealants

wedi® Joint Sealant - Used in conventional shower and tub designs to waterproof, connect, and reinforce seams and fastener points

- Packaged in 10.5 oz. tubes or 20 oz. sausages.
- Average shower installation uses approximately 1.2 oz. of wedi® Joint Sealant per square foot of wall panel surface (includes a shower base and curb installation)

Example: A 3 x 5 ft. shower with three walls 8-foot tall and one 5-foot curb may require up to ten 10.5 oz. cartridges of wedi® Joint Sealant, or five 20 oz. wedi® Joint Sealant sausages.

- Prefabricated modules or design upgrades may require additional wedi® Joint Sealant: shower niches - one additional tubes, seats - two additional tubes, benches - three additional tubes

wedi® Sealant 620 - Used in steam showers or steam rooms to waterproof, vaporproof and reinforce connections, seams, and fastener points. Used in combination with wedi® Subliner Dry sheet membranes and sealing tapes

- Packaged in 10.5 oz cartridges or 20 oz sausages
- Average steam shower installation uses 2.5 oz. of wedi Sealant 620 for each one linear foot of taped/ overlapped seams in assembly (includes fastener points in board area)

Example: A 3 x 6 ft. steam shower with walls 8-foot tall, a ceiling, and two benches can be water/vaporproofed using nine wedi Vapor 85 Panels. This creates approximately 90 linear feet of seams in the assembly to be taped, requiring 225 oz. of wedi® Sealant 620 (21 cartridges or 12 sausages).

wedi® Sealant Gun and Replacement Tips - Used to easily apply wedi® Joint Sealant or Sealant 620

- Replacement tips packaged in boxes of 10
- Used with either 10.5 oz. cartridges or 20 oz. sausages



Fasteners and Tools

wedi® Fastener Kits - Used to fasten wedi® Building Panels to wall framing structure

- Packaged in units of 100: coated Phillips head screws in the ideal length and gauge to work with wood framing and light gauge metal framing; tab washers made of strong gauge treated steel to integrate the screw head safely and hold the weight of the finished installation
- Average shower or steam room installation uses one wedi screw and washer per square foot of wedi® Building Panel. **Note:** on a ceiling application, you will need to double the amount of fasteners (ceiling square footage multiplied by 2 + wall square footage for the total washers/screws needed).

wedi® Tabless Fastener Kits - Used for Vapor 85 assemblies (and flooring installations with 1/8 in. or 1/4 in. wedi® Building Panels)

- Packaged in units of 100: coated Phillips head screws in the ideal length and gauge to work with wood framing and light gauge metal framing; tab washers made of strong gauge treated steel to integrate the screw head safely and hold the weight of the finished installation
- Average shower or steam room installation uses one wedi screw and washer per square foot of wedi® Building Panel. **Note:** on a ceiling application, you will need to double the amount of fasteners (ceiling square footage multiplied by 2 + wall square footage for the total washers/screws needed)

wedi® Corner Putty Knife - Used to smooth out wedi® Joint Sealant or Sealant 620 applications

- Packaged individually
- Putty knife blade markers indicate proper seam treatment width
- Specially-shaped with round tip for corner seam sealant application and often used in combination with standard flat putty knives on flat seams or fastener point sealant application

i For options and pricing, refer to wedi's Illustrated Price List or www.wedicorp.com.

Putting together a wedi shower system

Step 4: Choose installation accessories

The wedi® Subliner Dry system aids in the installation of waterproof transitions between the plumbing and the shower, the shower base and bathroom floor, in steam or vapor rooms, and in other applications where pliable surface waterproofing with low buildup is ideal.



wedi® Subliner Dry System

wedi® Subliner Dry - Used to aid a waterproof and vaporproof transition between floor and curbless shower, to vaporproof over existing walls in steam rooms, or to waterproof over existing substrates in general wet areas prior to tiling

- Packaged in 16 foot long (53 sqft.) or 98 foot long (322 sqft.) rolls (Sheets are 3 ft. wide)
- Average curbless shower installation uses two rolls of 16 ft. long wedi® Subliner mat.

wedi® Subliner Dry Sealing Tape - Used to waterproof, vaporproof, and secure transition seams in steam applications. Fleece laminated.

- Packaged in a 5 in. wide x 32 ft. long roll
- Average 3 ft. x 6 ft. foot steam shower with 4 walls, ceiling and 2 benches uses three rolls of wedi sealing tape.

wedi® Vapor 85 Fastener Patches - Used to waterproof and vaporproof fastener points in steam shower installations

- Packaged in kits of 100 3 in. x 3 in. patches
- Applied with wedi® Sealant 620

wedi® Subliner Dry Tub Tape - Used to create a waterproof back-up to a tub's traditional surround wall backers when no tub flange or only partial flanges are built into the tub

- Packaged in a 5 in. wide x 12 ft. long roll with a self-adhesive strip to adhere to a smooth tub surface and is sealed against framed blocking using wedi® Joint Sealant (serves as a back up for otherwise-vulnerable sealed joints between a backer board and a prefabricated tub surface when no flanges secure waterproofing)
- Average tub installation uses one roll of wedi® Tub Sealing Tape

wedi® Subliner Dry Inside and Outside Corners -

Used to aid waterproof and vaporproof transition between shower base and any corners within 36 inches of the shower on the outside of wedi shower bases in the general bathroom area or in steam shower applications with wedi® Vapor 85

- Average curbless shower installation may use two wedi® Subliner Dry Outside Corners
- Average steam shower installation may use six-to-eight wedi® Subliner Dry Inside Corners and six-to-eight wedi® Subliner Dry Outside Corners.
- Packaged as sets of two

wedi® Sealing Collars - Used to aid waterproof transition around shower pipe or fixture protrusions.

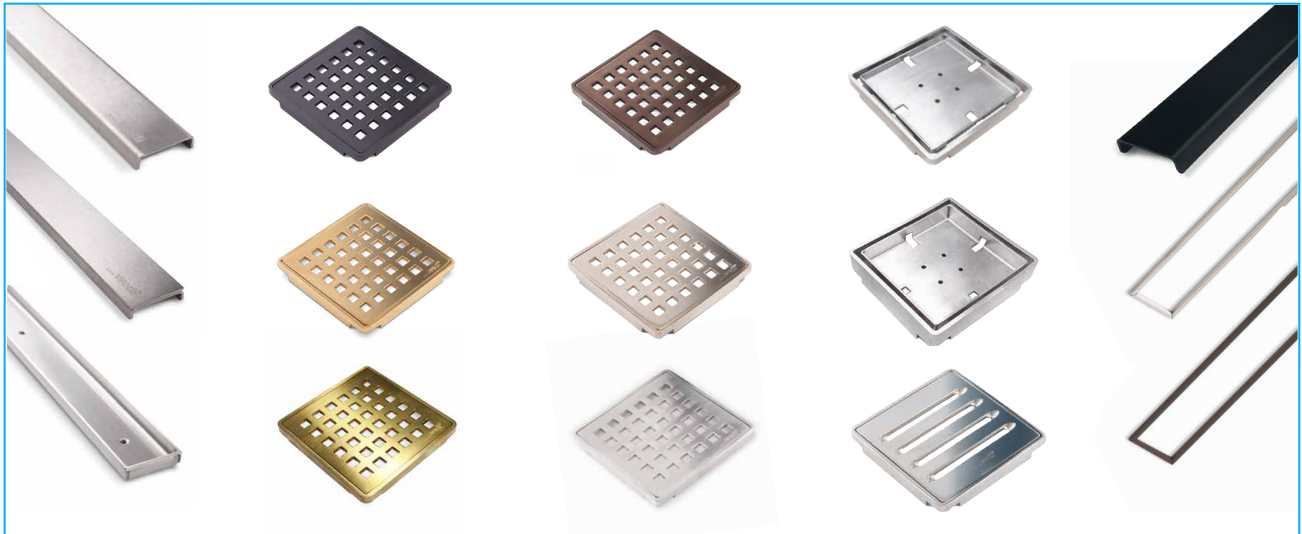
- Average shower or steam room installation uses one wedi® Subliner Dry Pipe Seal per pipe protrusion and one wedi® Subliner Dry Mixing Valve Seal per mixing valve
- Packaged individually
- **Note:** Due to many design variants of mixing valves used in bathroom designs, the wedi® Subliner Dry Mixing Valve Seal may have to be modified to fit the installation. This can be done by cutting its fleece sheet to open up the diameter of its opening for larger mixing valves. The collar functions to divert moisture moving through the thinset layer behind a wall tile. The moisture in a wall assembly mostly moves downward and any cuts in the collar around the top half of the mixing valve should be avoided. Be sure to place with its correct side facing the framing - the side with the 1/2 in. long protruding rubber.

i For options and pricing, refer to wedi's Illustrated Price List or www.wedicorp.com.

Putting together a wedi shower system

Step 5: Choose premium finishing upgrades

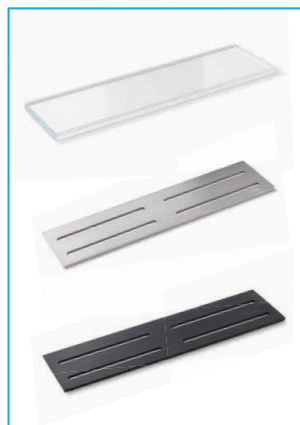
After you have chosen your installation accessories, it's time to choose your final finishings. wedi offers a variety of premium finishing upgrades to put the perfect final touches on your bathroom design. Choose a drain cover or niche shelf finish to match the other fixtures in your bathroom.



wedi® Drain Covers

Each of our shower floor bases includes a wedi® Fundo Click and Seal® Drain Kit. Drain covers are sold à la carte to allow you to select your finish. You will want to choose your drain cover set from one of our drain cover set options available in various colors and designs. For detailed information about each of our different drain cover options, see page 66.

- Hand-finished, and laser-cut for precision
- Square point and linear drains available
- Heavy gauge, high-quality stainless steel, with finishes that resist physical and chemical exposure challenges commonly found in wet room installations.



wedi® Shower Niche Shelves

If you are adding a niche to your design, you can choose a premium shelf to replace the tileable foam shelf that comes with some of wedi's larger niches, and match it to your chosen drain cover.

- Available in low-iron, clear, tempered glass with pencil-polished edge; brushed stainless steel finish; or aluminum anodized in matte black finish
- Installed with wedi® Joint Sealant or clear silicone, resting on niche tile assembly.

i For options and pricing, refer to wedi's Illustrated Price List or www.wedicorp.com.

Point drain shower systems

wedi point drain shower systems (Fundo Shower Bases and Fundo Curbless Shower Bases) offer reliable, cost-efficient solutions for constructing 100% waterproof and mold-proof showers. These systems are easy to install and open up a limitless array of design possibilities for showers, wet areas, and baths. They blend the traditional benefits of design flexibility and robustness while offering added benefits such as built-in waterproofing, exact slopes, and light weight build, along with state-of-the-art material and manufacturing technologies.

The wedi Fundo® Shower System offers full warranty coverage like all wedi systems, thanks to its consistent and inherently waterproof core, and its range of specially-engineered components. A Fundo shower is internally waterproof thanks to the wedi XPS foam's closed-cell structure, and naturally protects against mold or mildew like every wedi XPS-foam-based product. It is fast and clean to cut and fit custom designs, while prefabrication reduces installation time significantly. The base features a strong and pre-sloped surface, allowing for tiling immediately whether you choose mosaic or large format tiles. Pre-sloped extension panels are available so that no limit exists for creating any size or shape custom shower design. Fundo showers are insulating, creating a thermal barrier that can prevent cold from transferring through the tiled surface. They also have outstanding moisture and water exposure control compared to traditional mortar bed installations or other currently known methods for building showers, including the use of sheet or liquid waterproofing membranes which can be very thin and vulnerable, or may allow water absorption into thinset bonded seam areas. The wedi Fundo® shower base comes equipped with a wedi drain unit designed for safe performance and to ensure a perfect tiling experience.

Key features of the wedi® Fundo Click and Seal® Drain Kit drain are:

- A safe compression fit seal to the entire range of 2 in. floor waste pipes whether made of PVC, ABS, or cast iron.
- All drain parts function in a mechanical, simple, and controlled process – with no glues or sealants needed
- wedi® Fundo Click and Seal® mechanism for simple and safe assembly.
- wedi® Fundo Click and Seal® drain allows for a connection to a floor waste pipe that is easily cut flush with the floor, and it can connect safely even where the floor waste pipe is slightly angled (up to 5 degrees). Please always test the seal of a drain to waste pipe connection by plugging up the drain and filling with water until it reaches the cement surface of the wedi shower base.
- wedi drain covers can be adjusted during tiling to meet all tile designs perfectly: $\frac{3}{16}$ in. laterally in either direction, or from $\frac{1}{4}$ in. to $1\frac{1}{4}$ inches in height.
- wedi® Fundo Click and Seal® features built in surface drainage slits to promote faster secondary draining of water from thinset layer below tile finish, which allows the shower floor to dry much faster.
- Provided that the waste pipe and plumbing is open, wedi Fundo® Shower Kit drain and drain cover flow rates exceed 14 gallons/minute or 10 gallons/minute when used with our tileable drain cover.



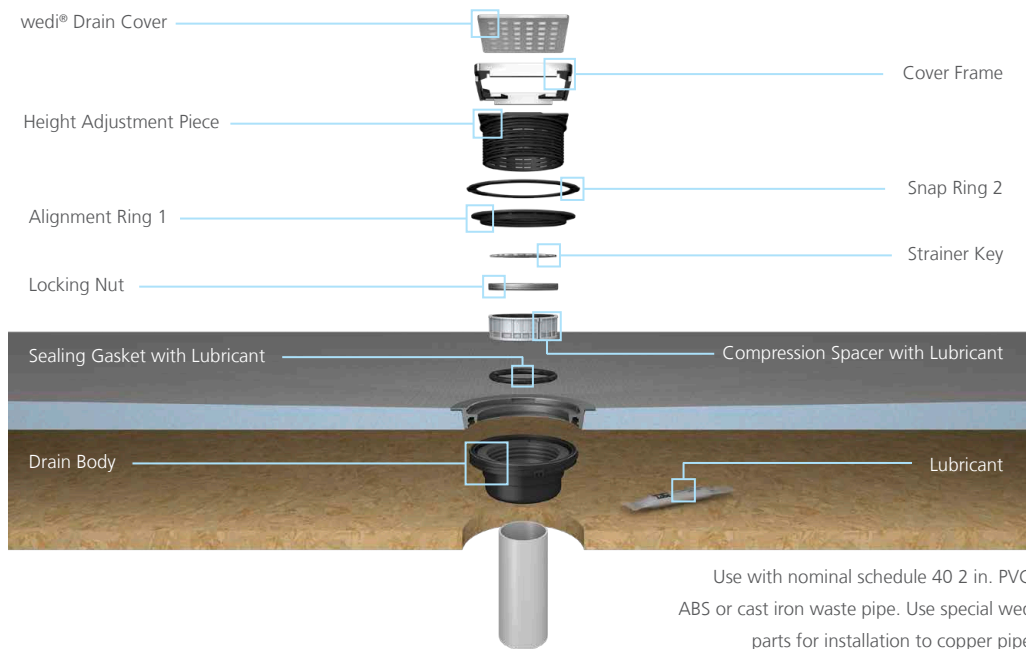
wedi Fundo® Shower Kit



wedi Fundo® Curbless Shower Kit

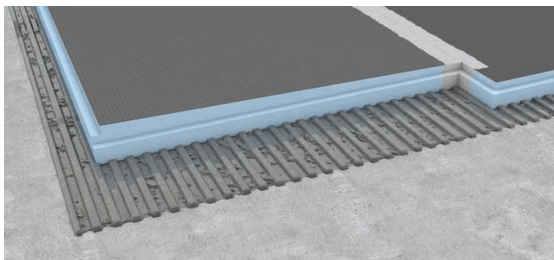
Fundo Shower Base - Drain Assembly and Base Modification if Needed

wedi Fundo® Shower Base, wedi Fundo® Curbless Shower Base, wedi Fundo® Shower Kit and wedi Fundo® Curbless Shower Kit

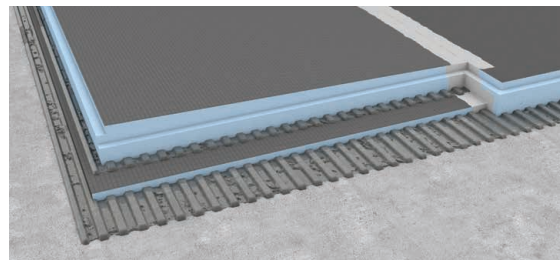


wedi Fundo® shower bases may be cut and/or extended

wedi prefabricated extensions are pre-notched. They can be joined with other extensions in a mitered design, joining two or more sides of a shower to be extended. Make interlocking notch connections on-site as needed for mitered connections. Consult wedi's manual for using wedi sloped extensions.



The shower base may be extended using a pre-sloped wedi extension panel.

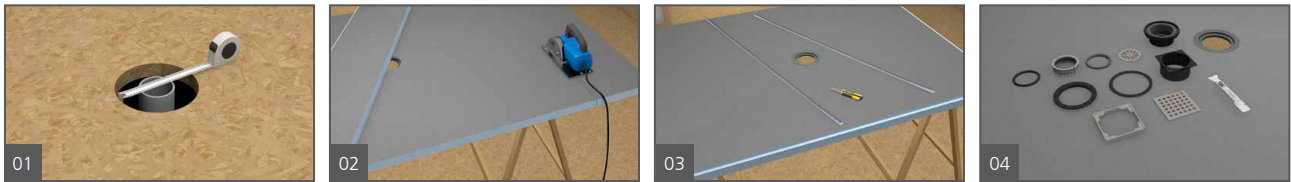


wedi shower bases thicker than 1 1/2 in. where an extension is connected require a wedi building panel be placed and thinset mortar adhered under the extension panel to adjust for a proper connection fit.



A wedi shower base can be cut to size using a circular saw with a standard carbide blade. You can remake the 1/2 in. x 1/2 in. perimeter channel by cutting through the cement surface using the circular saw set to cut 1/2 in. deep. You can use a circular saw or a sharp utility knife to cut the new channel 1/2 in. wide through the blue exposed foam side. Clean the new channel and the base and remove all saw dust and loose particles.

wedi Fundo® Shower Base and wedi Fundo® Shower Kit - Installation Manual



1. Cut the 2 in. waste pipe even and flush with the subfloor surface. Make sure that the cutout fits the Fundo base's drain. Cut out a 5 in. diameter hole around the 2 in. pipe's center to allow for the wedi drain to be inserted into the subfloor while the cut out area must remain free of deflection. The drain waste pipe and P-trap have to be safely affixed to and supported by the subfloor structure.
2. Cut the Fundo base to fit between framed walls and so its wedi drain unit can connect with the floor waste pipe. Consider also the space needed by a curb or extension before cutting your wedi base. Consider that cutting the base may change the slope design and tile layouts should be considered before cutting. Consider that enough material thickness remains available to later remake the ½ in. x ½ in. perimeter channel whereby the bottom of the channel must not be thinner than ¼ in. Do not cut close to the integrated drain and maintain a minimum distance of 2 in. from the drain opening. It is recommended to turn the base on its back so you can move the circular saw over a flat surface, ensuring a square cut.
3. Once cut, dry-fit the base and then remake the ½ in. x ½ in. perimeter channel where the base connects to wedi® Building Panels, Curbs, Ramps or Extensions. Clean the base and channels from saw dust using a vacuum cleaner.
4. Next, install the wedi® Fundo Click and Seal® Drain Kit. Drain components are delivered inserted inside the Drain Body. Please take the parts out and use step-by-step by following our manual here.



5. Apply the wedi-provided safe lubricant to the black rubber ring inside the wedi drain body.
6. Insert the drain body snugly into the receiving mechanism of the drain unit on the underside of the Fundo base.
7. Once inserted, turn the drain body clockwise until its plastic flap clicks in position in its final resting position. This will require no more than a quarter turn. Ensure a tight connection by pushing and pulling on the drain body and verifying a flat seat relative to the shower base surface. If you ever want to remove the drain body from a locked position, use a flat head screwdriver to push the snap mechanism's plastic flap inwards while unscrewing the drain body counter-clockwise (**left**) at the same time. In case it is difficult to hear the click mechanism, you can also verify a safe connection as described under point 8.
8. You can verify the drain unit has successfully connected when the single hash marks are centered between the double hash marks on the top side of the drain.



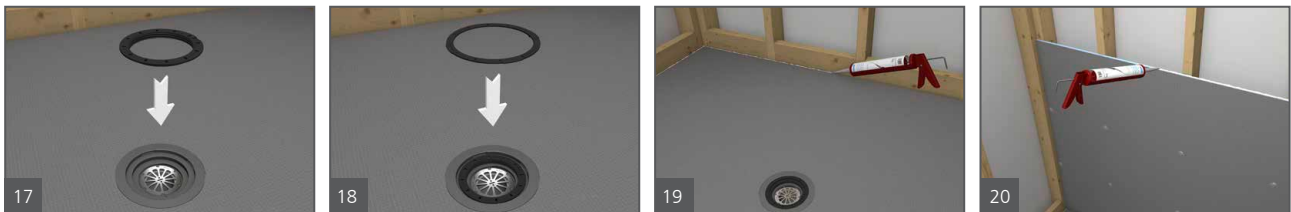
9. Clean the subfloor with a moist sponge to remove dust and dirt, and apply a skimcoat of a suitable, modified tile adhesive/ thinset (ANSI 118.4 or better), and comb through with a ¼ in. x ¼ in. notched trowel. Notches should be

applied uniformly and point towards the shortest side of the base area. You can also use a ½ in. square notch trowel, instead.

10. Trowel the thinset on the rear side of the Fundo again using a ¼ in. x ¼ in. notched trowel. Apply a skimcoat of thinset over the entire product's cement surface, then comb through the thinset bed, creating channels pointing in same direction as applied on subfloor.
11. Press the Fundo firmly into the thinset bed (sloped side up) ensuring that the installation is level along its perimeter and sides, and thinset attachment and coverage is void-free. Apply some equally-distributed weight (e.g. tile boxes) and leave on surface and drain area to allow the thinset to initially cure without being disturbed. Make sure the floor waste pipe is centered within the wedi drain unit and remains there until the drain connection is completed.
12. Apply the lubricant to the rubber sealing gasket and insert the rubber sealing gasket between the wedi drain unit's interior and the outside of the 2 in. waste pipe in the floor. Push the rubber sealing gasket down along the waste pipe until it is stopped by the drain unit's lower interior flange.



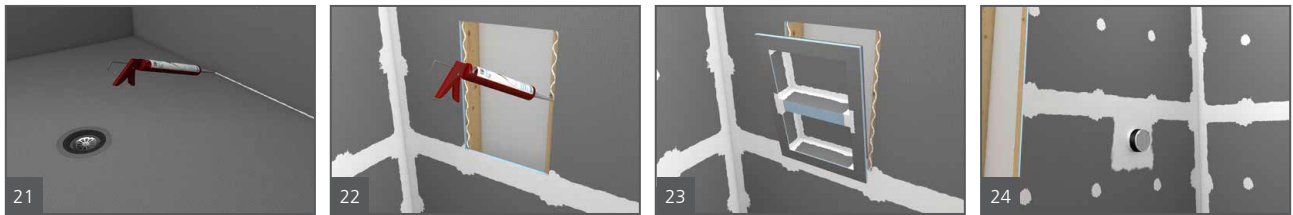
13. Apply the provided lubricant to the rubber part of the compression spacer. With the rubberized part pointing up now, insert the compression spacer in between drain unit and waste pipe and on top of the sealing gasket. The compression spacer will push the rubber sealing gasket down into its resting position. The compression spacer's rubberized part will not always sit flush with the floor waste pipe's edge, which is due to the thinset thickness tolerances under the shower base.
Note: the rubberized part of the compression spacer is not part of the wedi drain's waterproofing design – it is used solely to keep all dirt out of the drain connections. If the compression fit spacer is too tight to easily fit around the waste pipe, you can cut the compression spacer into two halves (cut at indicated markers) and fit them in better individually.
14. Insert the locking nut with notched side up into the threaded part of the drain unit opening and screw down until locking nut top is flush with top edge of drain unit's threaded part. **Important: Turn the locking nut counter-clockwise (left) to insert and screw into flush position.**
15. Insert strainer key into locking nut at notch connections and with strainer key printed side up. The strainer key is used as a tool to tighten the compression seal of the drain unit, but remains in place later to serve as a hair catcher to protect the drain and make maintenance and cleaning easy.
16. Insert a flat head screwdriver into strainer key slit and turn counter-clockwise (**left**) to tighten the compression seal. Achieve a hand-tight fit and do not over-tighten.



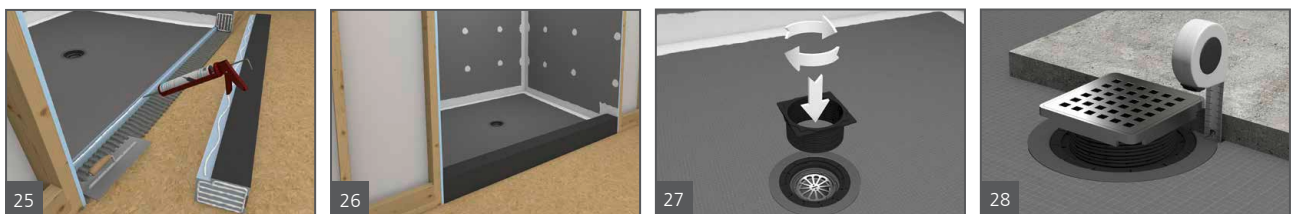
17. Loosely insert alignment ring 1 into the drain unit opening with printed side up. Align the notch and arrow in alignment ring 1 with the arrow printed on the drain unit. Alignment ring 1 has a threaded inside which will later allow you to insert a drain cover extension, which will allow you to laterally and vertically move your drain cover for perfect alignment with the tile finish. Alignment ring 1 is also needed to support the drain cover unit when no drain cover extension is used.

Alignment ring 1 has built-in drainage slits to allow the thinset mortar around the drain area to drain water more quickly.

18. Insert the snap ring 2 into drain unit opening with printed side up. Align its arrow and protruding key fitting into the notch and arrow of the alignment ring 1. Snap Ring 2 needs to be secured in place with its perimeter notches snapping into grooves which are premade in the drain unit. Snap Ring 2 is used to secure the movable alignment ring 1, and it is needed to later support the drain cover unit. It is equipped with drainage slits to allow thinset mortar around the drain area to drain water more quickly.
19. Dry-fit the building panels to ensure the proper fit into the perimeter channel. Clean the perimeter channels from dust or any other contaminants. Set up a continuous ½ in. bead of wedi joint sealant along the base's channel on the outer perimeter and only in areas where you can immediately install a building panel into the fresh sealant.
20. Push the wedi® Building Panel fully into the channel of the shower base, being sure the bead of sealant is fully compressed. Smooth out any pushed out sealant on inside seam using a wedi® Corner Putty Knife. Fasten the panels directly to the studs starting 1 ft above the base and in corners while keeping the board pushed down into the channel, and set the wedi fasteners with wedi washers at a rate of one fastener per 1 ft. On every framing stud, one fastener has to be installed through the seam between two adjoining building panels to create a smooth transition. Wedi requires wedi® Building Panels to be installed in all areas exposed to water and never lower than 6 inches above any shower fixture.



21. Apply continuous ½ in. beads of sealant between all connections of panels and install with tightly butted seams. Excess sealant must be spread flat with a putty knife. All seams and fastener heads in the assembly are covered with a topical ½ in. bead of sealant and spread flat. The seams should be covered 1 in. on either side of a seam. All fastener/washers are covered with sealant stretching 1 in. over the washer edges.
22. wedi Niches are installed in a cutout in the wedi wall and attached with it's flange right into the center of 16 in. o.c. studs. wedi® Joint Sealant is set along the connection of wall to niche.
23. Fasteners every 12 inches on either side of the niche, or a minimum of one fastener on each of the four corners, are set to create a flat transition to wall panels. Another ½ in. bead of wedi Joint Sealant is spread flat over fasteners and seams.
24. For the installation to properly work, it is critical to waterproof all penetrations of the wedi product such as shower valves and shower heads using the appropriate sealing gaskets for the application. The wedi Mixing Valve Flexi Collar and wedi Flexi Collar (for ½ in. – ¾ in. shower pipe protrusions) are used for these applications, and are installed using a full bed of wedi® Joint Sealant or wedi sealant 620 for attachment. These sealing measures are required for wedi's waterproofing system warranty. Contact us for alternative waterproofing options if fixtures do not fit wedi standard collars so we can recommend optional best practices under wedi warranty.



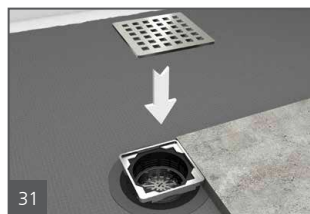
25. A continuous ½ in. bead of sealant is set into the channel and along the vertical curb notch part. ½ in. beads of wedi joint sealant are equally applied on wall surfaces where the curb attaches. A ¼ in. square notch trowel is used to apply a thinset

mortar on the subfloor and on the wedi curb bottom (reference wedi Fundo installation in thinset mortar). The tightly-fitting curb is pressed into the connection area. wedi Lean Curbs can be installed by entirely using wedi® Joint Sealant (replaces thinset attachment to floor). **Please note:** wedi curb notches are pre-made for channel connections to wedi bases 1½ in. thick at perimeter. When using thicker perimeter bases, please cut the curb notch for a tight dry-fit connection.

26. Weight is applied for a minimum of 30 minutes on and against the curb (from outside) and another ½ in. bead of sealant is applied over all curb seams and spread flat. The seams must be covered 1 in. on either side.

i Several wedi Fundo® Shower Base models naturally feature different perimeter height or thickness at the edge. Therefore, pre-made standard notch connections of wedi curbs must be modified in the field for a tight fit to the bases. Ramps and Extension panels can naturally not fit to all models and might be modified in the field as well. When using curbs with shower bases and/or Fundo extensions that create a one directional slope and build up height towards one side of the shower, you may need to increase the height of the curb to exceed the surface of the shower base as required by applicable plumbing code. Where wedi® Building Panel is installed over corners of a structure showing an angle other than 90°, please miter the board edges to gain adhesion surface. Utilize a wedi sealing tape in addition to regular sealing for safety. Contact us for recommended best practices under warranty.

27. Next, insert the Drain Cover Extension into the threaded part of the Alignment Ring 1. Dry-fit the Drain Cover Extension for the needed final height position of the drain cover unit. The Drain Cover Extension only works for wedi's finished surface drain covers, but not with wedi's tileable covers due to their special water drainage design. wedi Tileable covers are made to work with defined tile thicknesses and can be inserted into the Alignment Ring 1 and Snap Ring 2 assembly directly.
28. Dry-fit a tile for the shower base right next to the extended drain cover unit and determine to what height the Drain Cover Extension may need to be cut down for a drain cover top flush with the top of the tile (or drain cover top slightly below top of tile). Account for the thickness of the (compressed) thinset mortar used to install the tile. Using a ruler or measuring tape if necessary, match this measurement along the side of the Drain Extension piece.
29. The Drain Cover Extension can be cut to height/length at its threaded part using a fine tooth saw for a fast, clean, and safe process. Make a cut within one of the cutting grooves to adjust the extension to the height needed. Leave the extension a bit longer than needed (by one cutting groove). The Drain Cover Extension should connect to the threaded Alignment Ring safely and for good support, which requires at least one full turn of the extension's male threads reaching into the Alignment Ring 1's female threaded part. The extension can be used to increase the position of the drain cover by 1 ¼ in. If no height adjustment or increase in height is needed for the drain cover, please cut the drain cover extension shorter at the cutting groove closest to the squared top. This will leave enough of the tightly threaded part needed to connect into the drain opening or Alignment Ring. This will allow you to let the wedi drain cover rest flat over the drain opening once assembled (see next steps).

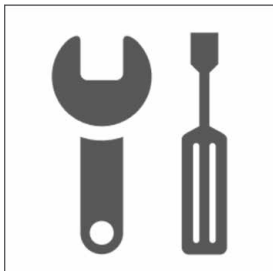


30. Place the drain cover unit into the Drain Cover Extension where it fits into a tight seat. The cover is now vertically adjustable and can also move horizontally to fit the tile layout.
31. The drain cover unit can still be moved laterally 3/16 in. in either direction, and can be aligned with the tile regardless of how much height was added.
32. The wedi Fundo® Shower System is now ready for tiling as soon as the surface applied wedi® Joint Sealant is dry to the touch.

Important notes for preparing and completing a successful wedi Fundo® Shower installation

- Have 2 × 4 blocks installed on base plate between and flush with front of wall framing studs to best support wedi wall panel/shower base transition.
- Subfloor is stable and loadbearing, flat and level, and meets deflection criteria of maximum L/360 as per IRC. Wooden or concrete structural substrates are dry and sufficiently loadbearing considering live and dead load. Wood and Steel framing is sufficiently loadbearing, even, plumb, and square.
- Floor drain assembly below floor is stabilized, fixed and supported in position, and will not sink under water load. Waste pipe is level and plumb.
- Only wedi products (Building Panels, Curb, Joint Sealant and Fasteners) are used for wedi Fundo® Shower System assembly.
- Ensure that no fasteners are used and penetrate through any horizontal building panel or shower base surfaces in showers and immediate wet room applications.. This includes tub decks, pony shower wall tops, curb tops made from building panels, seat tops. wedi panels in such areas are installed in a full surface applied thinset mortar setting bed.
- Where wedi® Building Panel or curb caps are installed over horizontal surfaces (seats, curbs, tubdeck transitions) do not set any fasteners and do not allow the glass door installation to penetrate the wedi panel as it is your waterproofing.
- Make sure that doors are installed tight to contain water inside the shower. Make sure doors are installed to only load bearing reinforced framing. Consider wedi® Shower Curb AT (Anchor Track) when planning to mount glass door/panel fixtures through the curb surface.
- Seams in the assembly, which are not flat transitions or right angle inside corner connections, are treated with these extra steps:
 - 1) Assembly parts are installed tight and offer a minimum of ½ in. wide continuous contact/adhesion surface between two parts, inside which wedi joint sealant is continuously applied.
 - 2) wedi® Joint Sealant is applied over these seams topically, and 1 in. wide on both sides of the seam.
 - 3) wedi sealing tape is installed over these seams and covered with wedi joint sealant 1 in. wide on both sides of the seam.

wedi Fundo® Shower System ▪ Tools needed for installation

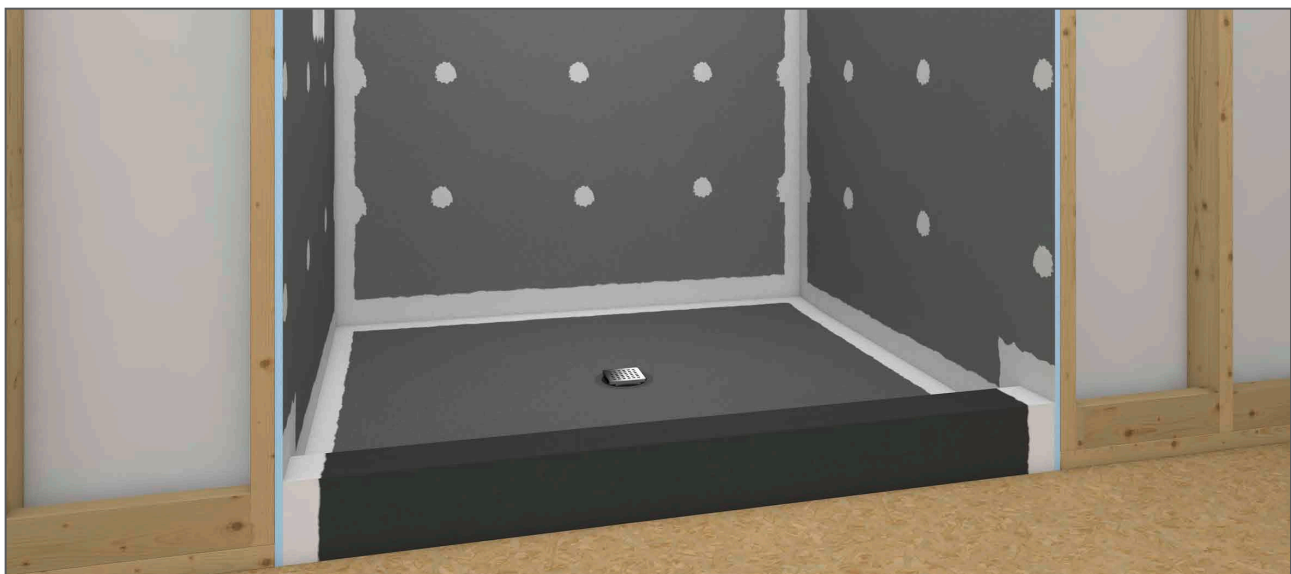


- Inside Pipe Cutter
- Caulk Gun
- Screw gun w. Phillips bit
- Drill with Thinset Mixer
- Bucket
- Handsaw
- Circular Saw
- Utility Knife
- Solid Putty Knife
- wedi® Corner Putty Knife
- Flat Head Screwdriver
- Saw Horse
- Level
- Tape Measure
- ¼ in. square Notch Trowel
- Straight Edge/T Square 5 ft. (1524 mm) or longer
- Respirator Mask (N95)
- Safety Glasses
- Ear Protection
- Permanent Marker
- Paper Towels
- Scissors
- Shop vacuum cleaner
- Extension Cord for Powertools

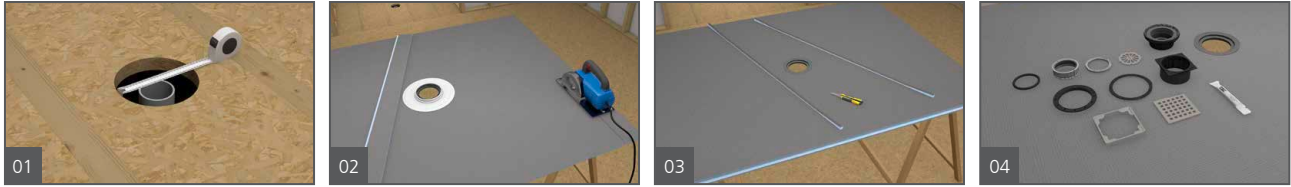
i All fastener points are visibly covered with wedi® Joint Sealant. All protrusions (ie. plumbing fixtures) are sealed into the wedi assembly with wedi gaskets and sealant. All visible joints or seams in the installation are visibly covered and reinforced with wedi® Joint Sealant that is applied flat over the seams. Coverage of wedi® Joint Sealant over all seams should be at least 1 in. on either side of the seam. wedi® Joint Sealant should be no less than $\frac{1}{16}$ in. thick to ensure strength. Do not add mesh tape into the wedi® Joint Sealant; this may put the waterproofing performance at risk, and will not strengthen the sealant or system resistance against movement-related stresses. It is recommended to add wedi mesh tape over seams featuring outside corners (e.g. pony wall tops or curb deck transitions). The wedi mesh tape is applied over finished and topically sealed seams once these are dry to the touch. wedi joint sealant is then applied to cover the mesh. This method allows you to apply more sealant consistently over a transition where it is difficult to apply sufficiently thick sealant. The mesh functions here as a thickness gauge, but has no other function. Once wedi® Joint Sealant has been applied over all shower system seams, an optional water flood test may be performed in as little as 2 hours. Please ensure the sealant has cured sufficiently and has formed a skin, is no longer pliable or sticky leaving sealant residue upon touch. The sealant is a moisture curing product that will react to cure very slow when applied in a location with low relative humidity in the air, and it will overreact and malfunction if exposed to too much water (i.e. flood test) too early. The flood test should not exceed 24 hours, nor should the water level exceed the height of the perimeter seams so that the fresh sealant may continue to a full cure without too much weight added during that process. wedi recommends testing the drain connection for a proper seal. While a full surface flood test is not required for non-absorbing products like wedi, it may be required by a building inspector. When tiling commences, no premixed (“mastic”) tile adhesives may be used over wedi systems in any wet area installation. When tiling the wedi Shower Bases, incl. extensions or ramps, tile thickness should generally be no less than $\frac{1}{8}$ in. Choose setting materials appropriate for the type of stone, ceramic, or glass tile, as well as for a wet area installation.

When tiling with a square tile size of 2 in. x 2 in. or more, install using a polymer modified cement based tile adhesive and grout. When tiling with a square size of less than 2 in. x 2 in., install using a polymer modified cement based tile adhesive and use a 100% solids epoxy grout. When tiling with a square size of 1 in. x 1 in. or less, install using a 100% solids epoxy tile adhesive and grout. Only non-flat bottom pebble stone installations, including small mosaics, may be installed using polymer modified cement based tile adhesive and grout if the mortar fully supports the tiles rounded undersides. All flat bottom pebble stone installations are subject to the general tile size based setting materials recommendation outlined above. When installing non-square tile, the length of the shortest tile edge(s) are considered as its square size for the purpose of determining the choice of the setting materials as outlined above. Moisture-sensitive tile and stone, including marble, are best protected when installed using solid epoxy tile adhesive and grout. It is recommended to verify with manufacturers of mesh mounted tile that the adhesive and mesh used to back the tile is appropriate for use in wet areas. It is important to achieve full transfer of the thinset mortar through the mesh to the back of the tile. A best practice we recommend is to remove the mesh when setting the tile.

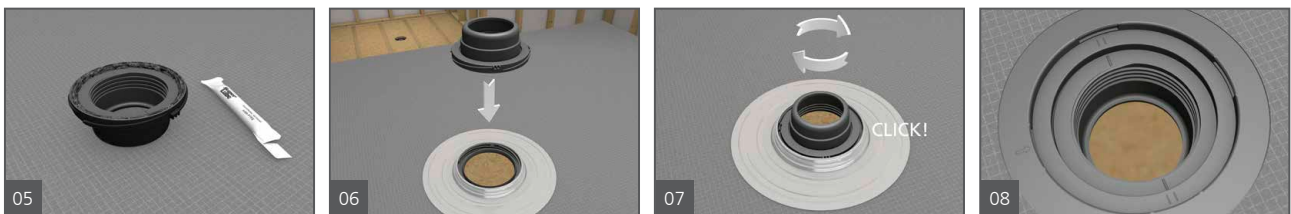
All tile installations designed to receive heavier point loads (i.e. wheelchair use) must be grouted using 100 % solids epoxy grout. Large-format tile may be installed over wedi Fundo® shower bases. Cuts may have to be made in consideration of the base’s slope lines and so that the tile can always be fully supported by the tile adhesive setting bed, and the surface of the wedi base. Refer to TCNA guidelines for setting material coverage required by the tile being installed in the wet room application here. Use only cleaners and sealers free of acid or solvents on tile or grout installed over wedi product, and apply only in amounts needed to treat the surface materials without drenching the substrate. Follow the setting materials manufacturer’s recommendations, and contact wedi with any questions, or regarding applications not covered here.



wedi Fundo® Curbless Shower Base and wedi Fundo® Curbless Shower Kit - Installation Manual



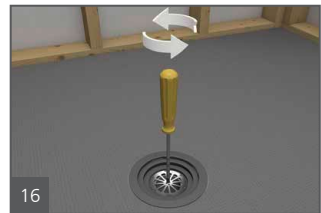
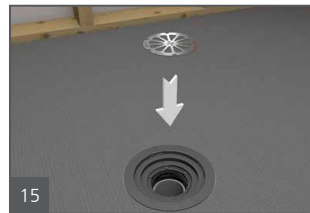
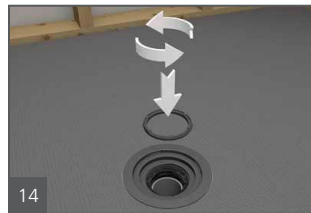
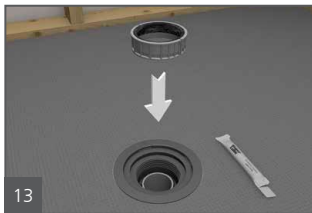
1. Recess the existing $\frac{3}{4}$ in. plywood subfloor between floor joists in the shower base area. This can be done by installing 2 x 6 blocking along floor joists to support the plywood floor between and flush with floor joists. Optionally, this recess can be created safely and fast with the help of the wedi® Curbless Shower Recess Kit. This kit works well with conventional and engineered floor joists and especially where an installation is in tight spaces. Make a 6 $\frac{1}{2}$ in. cutout in the recessed wood subfloor centered around the floor waste pipe. There should be no obstruction or part of a floor joist in the area of the cutout. Ensure recessed floor is even and level, flat, sufficiently load-bearing, and made from solid pieces. Using an inside pipe cutter next, evenly cut off the floor waste pipe $\frac{5}{8}$ in. below the surface of the recessed subfloor.
2. Cut the curbless shower base to fit between framed walls and recessed floor transition so the wedi® Fundo Click and Seal® Drain Kit drain unit can connect with the waste pipe. Also consider the possible space needed by a pre-sloped curbless extension panel. Consider that cutting and extending the base may change the slope design. **Cutting should be limited to 4 inches off a single side of the base so it will not become too thin to re-create a perimeter channel for a safe connection to wedi wall panels.** Adding wedi pre-sloped extensions can increase the shower base's perimeter thickness at one or more sides. Cutting the shower base to size can reduce its perimeter thickness at one or more sides. Increase or reduction in shower base perimeter thickness should be planned for so a smooth transition to the bathroom floor products or surface is ensured. Please consider that most smaller curbless shower bases are $\frac{3}{4}$ in. thick at the perimeter and install near flush with standard $\frac{3}{4}$ in. plywood subfloors when recessed. Some of our larger curbless bases are 1 $\frac{1}{8}$ in. thick and will reach $\frac{3}{8}$ in. plus approximately $\frac{3}{16}$ to $\frac{1}{2}$ in. (for thinset build-up) for a total of $\frac{9}{16}$ in. to $\frac{5}{8}$ in. out of a standard recess and will need to be installed flush with the underlayment chosen for the bathroom floor.
3. Once the base is cut to size, you want to dry-fit the base and remake the perimeter channels on all sides which will connect to wedi wall panels. The perimeter channel must be $\frac{1}{2}$ in. wide and between $\frac{1}{2}$ in. and at minimum $\frac{3}{8}$ in. deep. The minimum thickness of the horizontal part of the perimeter channel bottom must not be less than $\frac{1}{4}$ in.
4. Next, install the wedi® Fundo Click and Seal® Drain Kit drain unit. Drain components are delivered inserted inside the Drain Body. Please take the parts out and use step-by-step following our manual here.



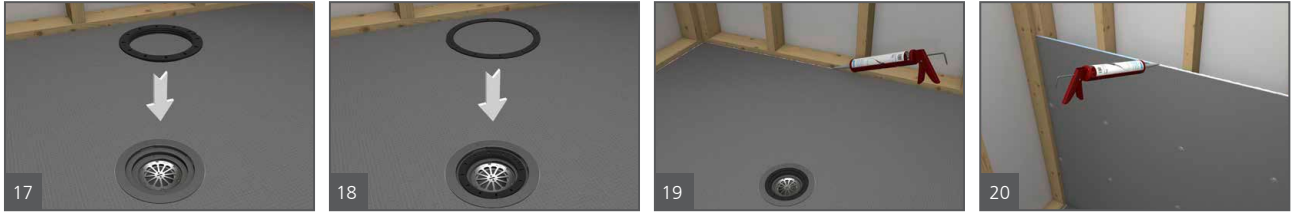
5. Apply the wedi-provided safe Lubricant to the black rubber ring inside the wedi Drain Body.
6. Insert the Drain Body snugly into the receiving mechanism of the Drain Unit on the underside of the Fundo base.
7. Once inserted, turn the Drain Body clockwise until its plastic flap clicks in position in its final resting position. This will require no more than a quarter turn. Ensure a tight connection by pushing and pulling on the Drain Body and verifying a flat seat relative to the shower base surface. If you ever want to remove the Drain Body from a locked position, use a flat head screwdriver to push the snap mechanism's plastic flap inwards while unscrewing the Drain Body counter-clockwise (**left**) at the same time. In case it is difficult to hear the click mechanism, you can also verify a safe connection as described under point 8.
8. On the top side of the drain you can verify the drain unit has successfully connected when the single hash marks are centered between the double hash marks.



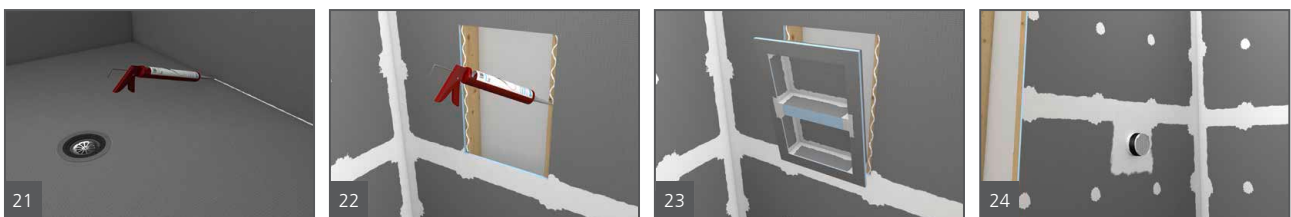
9. Clean the subfloor with a moist sponge to remove dust and dirt, and apply a skimcoat of a suitable, modified tile adhesive/thinset (ANSI 118.4 or better), and comb through with a ¼ in. x ¼ in. notched trowel. Notches should be applied uniformly and point towards the shortest side of the base area. You can also use a ½ in. square notch trowel, instead.
10. Trowel the thinset on the rear side of the Fundo again using a ¼ in. x ¼ in. notched trowel. Flat trowel the thinset over the entire product's cement surface, then comb through thinset bed creating channels pointing in same direction as applied on subfloor. If a ½ in. square notch trowel was used to apply thinset to the subfloor, you want to apply only a flat skim coat of thinset on the rear side of the Fundo.
11. Press the Fundo firmly into the thinset bed (sloped side up) ensuring that the installation is level along its perimeter and sides, and thinset attachment and coverage is void-free. Apply some weight equally and leave on surface and drain area to allow the thinset to initially cure without being disturbed (e.g. tile boxes). Make sure the floor waste pipe is centered within the wedi drain unit and remains there until the drain connection is completed.
12. Apply wedi-provided safe Lubricant to the Rubber Sealing Gasket and insert the Rubber Sealing Gasket between the wedi Drain Unit's interior and the outside of the 2 in. waste pipe in the floor. Push the Rubber Sealing Gasket down along the waste pipe until it is stopped by the Drain Unit's lower interior flange.



13. Apply wedi-provided safe Lubricant to the rubber part of the Compression Spacer. With the rubberized part pointing up now insert the Compression Spacer in between Drain Unit and waste pipe and on top of the Sealing Gasket. The Compression Spacer will push the Rubber Sealing Gasket down into its resting position. The Compression Spacer's rubberized part will not always sit flush with the floor waste pipe's edge, which is due to the thinset thickness tolerances under the shower base. Note: The rubberized part of the Compression Spacer is not part of the wedi drain's waterproofing design – it is used solely to keep all dirt out of the drain connections. If the compression fit spacer is too tight to easily fit around the waste pipe you can cut the compression spacer into two halves (cut at indicated markers) and fit them in better individually.
14. Insert the Locking Nut with notched side up into the threaded part of the Drain Unit opening and screw down until Locking Nut top is flush with top edge of Drain Unit's threaded part. **Important: Turn Locking Nut to the LEFT to insert and screw into flush position (turn Counter-Clockwise).**
15. Insert Strainer Key into Locking Nut at notch connections and with Strainer Key printed side up. The Strainer Key is used as a tool to tighten the compression seal of the Drain Unit, but remains in place later to serve as a hair catcher to protect the drain and make maintenance and cleaning easy.
16. Insert a flat headed screwdriver into Strainer Key slit and turn **LEFT** to tighten the compression seal (**turn Counter-Clockwise**). Achieve a hand-tight fit and do not over-tighten.

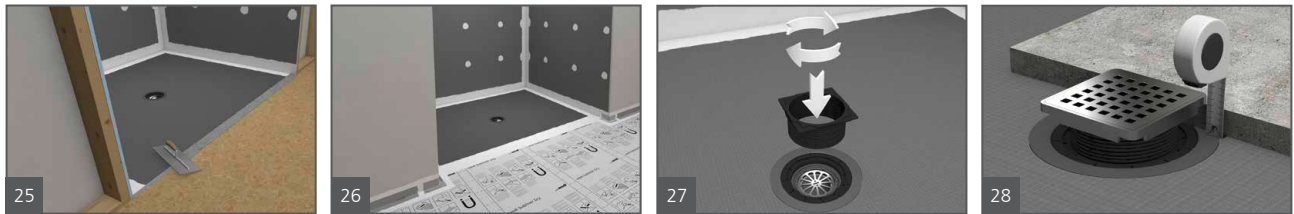


17. Loosely insert the Alignment Ring 1 into the Drain Unit opening with printed side up. Align the notch and arrow in Alignment Ring 1 with the arrow printed on the Drain Unit. Alignment Ring 1 has a threaded inside which will later allow you to insert a Drain Cover Extension, which will allow you to laterally and vertically move your drain cover for perfect alignment with the tile finish. Alignment Ring 1 is also needed to support the drain cover unit when no Drain Cover Extension is used. Alignment Ring 1 has built in drainage slits to allow the thinset mortar around the drain area to drain water more quickly.
18. Insert the Snap Ring 2 into Drain Unit opening with printed side up. Align its arrow and protruding key fitting into the notch and arrow of the Alignment Ring 1. The Snap Ring 2 needs to be secured in place with its perimeter notches snapping into grooves which are premade in the Drain Unit. Snap Ring 2 is used to secure the movable Alignment Ring 1, and it is needed to later support the Drain Cover unit. It is equipped with drainage slits to allow thinset mortar around the drain area to drain water more quickly.
19. Dry-fit the building panels to ensure the proper fit into the perimeter channel. Clean the perimeter channels from dust or any other contaminants. Set up a continuous ½ in. bead of wedi® Joint Sealant along the curbless shower base's channel on the outer perimeter and only in areas where you can immediately install a building panel into the fresh sealant.
20. Push the wedi® Building Panel fully into the channel of the shower base, being sure the bead of sealant is fully compressed. Smooth out any pushed out sealant on inside seam using a putty knife. Fasten the panels directly to the studs starting 1 ft. above the base and in corners while keeping the board pushed down into the channel, and set the wedi fasteners with wedi washers at a rate of one fastener per 1 ft. On every framing stud, one fastener has to be installed through the seam between two adjoining building panels to create a smooth transition. wedi requires wedi® Building Panels to be installed in all areas exposed to water and never lower than 6 inches above any shower fixture.



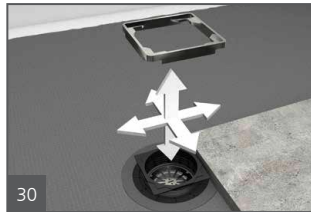
21. Apply continuous ½ in. beads of sealant between all connections of panels and install with tightly butted seams. Excess sealant must be spread flat with a putty knife. All seams and fastener heads in the assembly are covered with a topical ½ in. bead of sealant and spread flat. The seams should be covered 1 in. on either side of a seam. All fastener/washers are covered with sealant stretching 1 in. Over the washer edges.
22. wedi niches are installed in a cut out in the wedi wall and attached with its flange right into the center of 16 in. o.c. studs. wedi joint sealant is set along the connection of wall to niche.
23. Fasteners every 12 inches on either side of the niche, or a minimum of one fastener on each of the four corners, are set to create a flat transition to wall panels. Another ½ in. Bead of wedi joint sealant is spread flat over fasteners and seams.
24. For the installation to properly work it is critical to waterproof all penetrations of the wedi product such as shower valves and shower heads using the appropriate sealing gaskets for the application. The wedi mixing valve flexi collar and wedi flexi collar (for ½ in. – ¾ in. shower pipe protrusions) are used for these applications, and are installed using a full bed of wedi® Joint Sealant or wedi® Sealant 620 for attachment. These sealing measures are required for wedi's waterproofing

system warranty. Contact us for alternative waterproofing options if fixtures do not fit wedi standard collars so we can recommend optional best practices under wedi warranty.

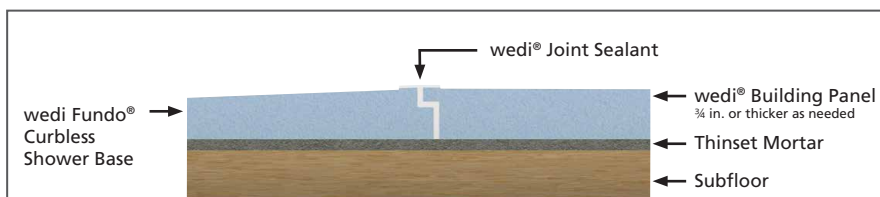


25. Fill unused base perimeter channels by attaching wedi panel strips (included in box) using Joint Sealant. You must install wedi® Subliner Dry waterproofing membrane over the subfloor or substrate outside the shower. It should reach 4 in. into the curbless shower base, and extend up the walls by at least 2 in. (flashing), and extend a minimum of 2 ½ ft. outside of the shower. If water spray can reach further out, extend the membrane further so that there are 2 ½ ft. of waterproofing outside of the spray radius. Apply the wedi® Subliner Dry membrane to the substrate or subfloor using modified thinset and using a ¼ in. x ¼ in. notch trowel. Use wedi® Sealant 620 instead of thinset between seam overlaps of two membrane sheets, which must be made 2 in. wide. Use wedi® Sealant 620 also within the 2 in. where membrane sheets terminate on the base surface, and use wedi® Sealant 620 to attach the wall flashing against the wall substrate.
 26. Apply the wedi® Sealant 620 only once the thinset below wedi Subliner dry has cured (as per thinset mortar manufacturer installation instructions and wedi® Subliner dry installation instructions). Please choose the appropriate Subliner Dry products needed for the project, including Subliner Dry Sheet membrane, Sealing Tape, and prefabricated Inside and Outside Corners. As an alternative to the Subliner Dry sheet membrane system, there are several other options available to you to create waterproofing for the bathroom floor and create a waterproof connection to the curbless shower base:
 - (a) wedi® Building Panels in ¼ in., ½ in. or ⅝ in. thickness can be used as the floor tile underlayment in place of cement board and Subliner waterproofing. Ensure the curbless shower base is raised enough from the subfloor so its perimeter channel bottom is flush with the subfloor surface and so that the wedi® Building Panels can safely connect into the channel. The connection is sealed with a ½ in. bead of wedi® Joint Sealant continuously applied in the channel connection, and another wedi joint sealant application is made 2 in. wide on top of the seam and spread flat. All seams to wedi walls must also be sealed internally with a ½ in. bead of continuously applied wedi® Joint Sealant between parts in that transition, and the seams are then covered with another ½ in. bead of wedi® Joint Sealant which is spread flat over the seam covering it 2 in. wide. Tiling may begin once thinset under wedi Subliner Dry or wedi® Building Panels on floor has cured.
 - (b) ¾ in. or 1 inch wedi® Building Panels may also be used depending on the thickness of the Fundo curbless shower base (between ¾ in. and 1 ⅛ in. for larger sizes with one side larger than 60 inches) and where the Fundo Curbless shower base is not installed into a floor recess, but on a standard subfloor. This panel matches the height of the base at its perimeter; the wedi® Building Panel here would be installed over the subfloor and connect with a Z notch channel connection, which needs to be cut into the panel, to the base's perimeter channel. The connection is sealed with a ½ in. bead of wedi joint sealant continuously applied in the channel connection, and another wedi® Joint Sealant application 2 in. wide on top of the seam. All seams to wedi walls must also be sealed internally with a ½ in. bead of continuously applied wedi® Joint Sealant between parts in that transition, and the seams are then covered with another ½ in. bead of wedi® Joint Sealant which is spread flat over the seam covering it 2 in. wide. Tiling may begin once thinset under wedi® Subliner Dry or wedi® Building Panels on floor has cured.
- Note:** When using wedi® Building Panel to waterproof the floor and transition to the Fundo shower base you need to still install wedi® Subliner Dry or wedi® Building Panel (flashing) up on all walls by 2 inches and waterproof/cover seams as in the general wedi wall assembly.

27. Next, insert the Drain Cover Extension into the threaded part of the Alignment Ring 1. Dry-fit the Drain Cover Extension for the needed final height position of the drain cover unit. The Drain Cover Extension only works for wedi's finished surface drain covers, but not with wedi's tileable covers due to their special water drainage design. wedi Tileable covers are made to work with defined tile thicknesses and can be inserted into the Alignment Ring 1 and Snap Ring 2 assembly directly.
28. Dry-fit a tile for the shower base right next to the extended drain cover unit and determine to what height the Drain Cover Extension may need to be cut down for a drain cover top flush with the top of the tile (or drain cover top slightly below top of tile). Account for the thickness of the (compressed) thinset mortar used to install the tile. Using a ruler or measuring tape if necessary, match this measurement along the side of the Drain Extension piece.



29. The Drain Cover Extension can be cut to height/length at its threaded part using a fine tooth saw for a fast, clean and safe process. Make a cut within one groove between threads at the height you measured in the previous step. Please note, the threaded connection also allows for some adjustment after cuts are made. The Drain Cover Extension should connect to the threaded Alignment Ring safely and for good support, which requires at least one full turn of the extension's male threads reaching into the Alignment Ring 1's female threaded part. The extension can be used to increase the position of the drain cover by 1 ¼ in. If no height adjustment or increase in height is needed for the drain cover, please cut the Drain Cover Extension shorter at the cutting groove closest to the squared top. This will leave enough of the tightly threaded part needed to connect into the drain opening or Alignment Ring. This will allow you to let the wedi drain cover rest flat over the drain opening once assembled (see next steps).
30. Place the drain cover unit into the Drain Cover Extension where it fits into a tight seat. The cover is now vertically adjustable and can also move horizontally to fit the tile layout.
31. The drain cover unit can still be moved laterally 3/16 in. in either direction, and can be aligned with the tile regardless of how much height was added.
32. The wedi Fundo® Curbless Shower System is now ready for tiling as soon as the surface applied wedi joint sealant is dry to the touch.



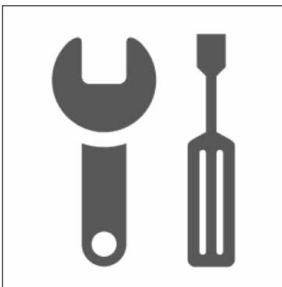
i Did you know?

wedi® Building Panels may also be used where the Curbless Shower Base is not installed into a floor recess, but on a standard subfloor. See step 26 (a) of the curbless Installation manual for more information.

Important notes for preparing and completing a successful wedi Fundo® Curbless Shower installation

- Recessed subfloor is stable and loadbearing, flat and level, and meets deflection criteria of maximum L/360 as per IRC. Wooden or concrete structural substrates are dry and sufficiently loadbearing considering live and dead load. Wood and Steel framing is sufficiently loadbearing, even, plumb, and square.
- Floor drain assembly below floor is stabilized, fixed and supported in position, and will not sink under water load. Waste pipe is level and plumb.
- Only wedi products (Building Panels, Curbs, Joint Sealant and Fasteners) are used for wedi Fundo® Shower System assembly.
- Ensure that no fasteners are used and penetrate through any horizontal building panel or shower base surfaces in showers and immediate wet room applications. This includes tub decks, pony shower wall tops, curb tops made from building panels, seat tops. wedi panels in such areas are installed in a full surface applied thinset mortar setting bed.
- Where wedi® Building Panel or curb caps are installed over horizontal surfaces (seats, curbs, tubdeck transitions) do not set any fasteners and do not allow the glass door installation to penetrate the wedi panel as it is your waterproofing.
- Make sure that doors are installed tight to contain water inside the shower. Make sure doors are installed to only load-bearing reinforced framing. Consider wedi® Shower Curb AT (Anchor Track) when planning to mount glass door/panel fixtures through the curb surface. Ensure not to anchor doors or glass panels through the sloped shower base floor but position the door/glass panel right at the beginning of the slope but anchored into the flat floor structure. Ensure proper waterproofing of anchor points.
- Where wedi® Building Panel is installed over corners of a structure showing an angle other than 90° please miter the board edges to gain adhesion surface. Use wedi sealing tape and wedi® Sealant 620 over angled connections which appear fragile and do not offer at least ½ inch wide adhesion surface between products.
- Seams in the assembly, which are not flat transitions or right angle inside corner connections, are treated with these extra steps unless sealing tape is being used:
 - 1) Assembly parts are installed tight and offer a minimum of ½ in. wide continuous contact/adhesion surface between two parts, inside which wedi joint sealant is continuously applied.
 - 2) wedi® Joint Sealant is applied over these seams topically, and 1 in. wide on both sides of the seam.
 - 3) wedi sealing tape is installed over these seams and covered with joint sealant 1 in. wide on both sides of the seam.

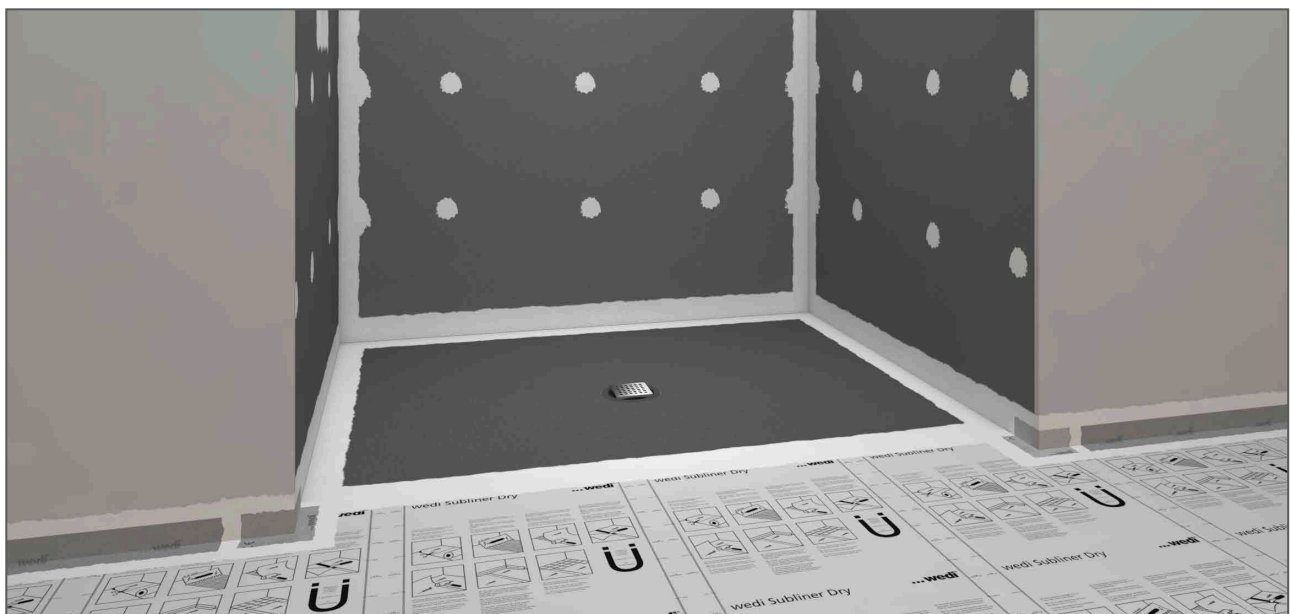
wedi Fundo® Shower System ▪ Tools needed for installation

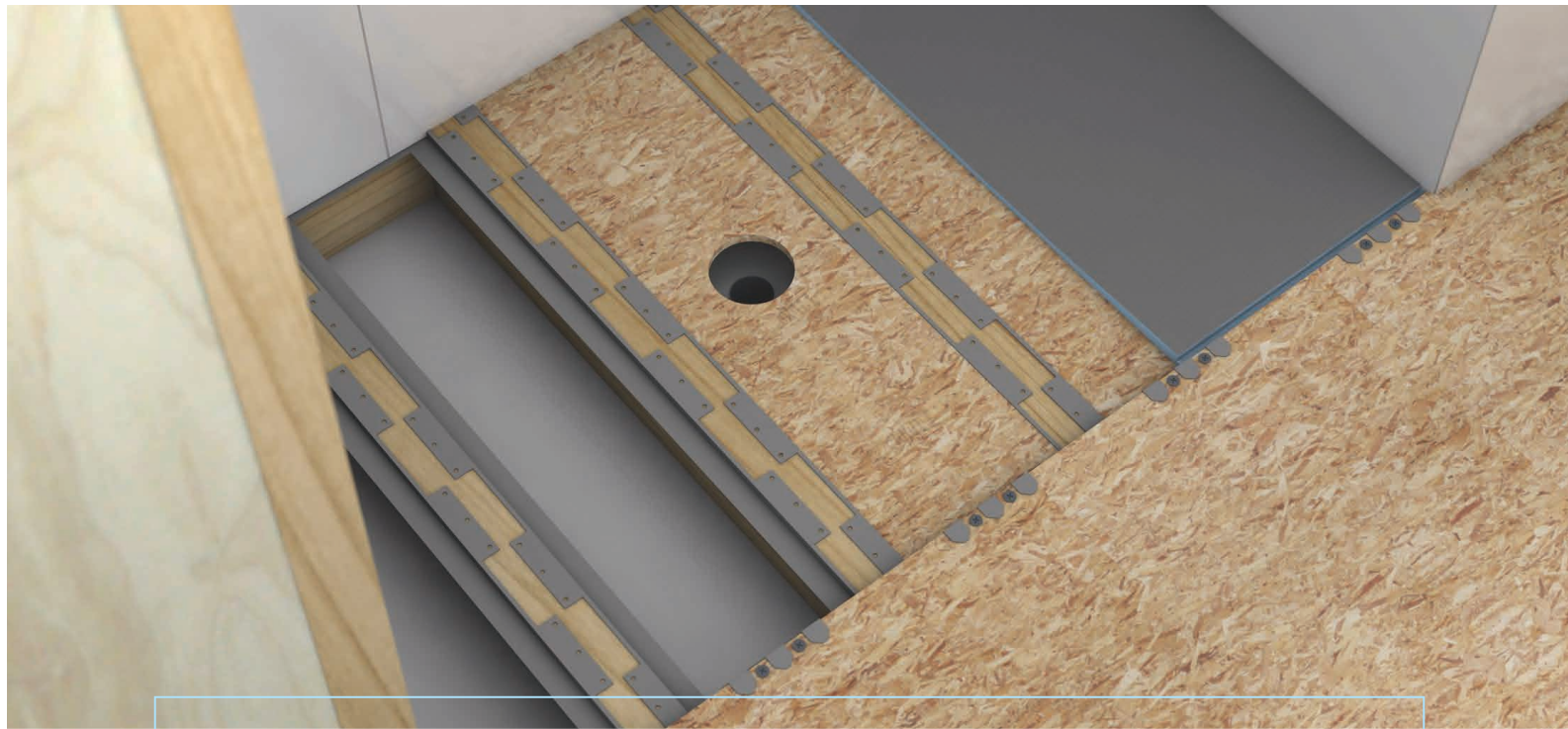


- Inside Pipe Cutter
- Caulk Gun
- Screw gun w. Phillips bit
- Drill with Thinset Mixer
- Bucket
- Rubber Mallet
- Handsaw
- Circular Saw
- Utility Knife
- Solid Putty Knife
- wedi® Corner Putty Knife
- Metal cutting saw/angle grinder
- Flat Head Screwdriver
- Saw Horse
- Level
- Tape Measure
- ¼ in. square Notch Trowel
- Straight Edge/T Square 5 ft. (1524 mm) or longer
- Respirator Mask (N95)
- Safety Glasses
- Ear Protection
- Permanent Marker
- Paper Towels
- Scissors
- Shop vacuum cleaner
- Extension Cord for Powertools

i All fastener points are visibly covered with wedi® Joint Sealant. All protrusions (ie. plumbing fixtures) are sealed into the wedi assembly with wedi gaskets and sealant. All visible joints or seams in the installation are visibly covered and reinforced with wedi® Joint Sealant or wedi® Sealant 620 (at seams involving Subliner Dry Sheet membrane or sealing tape) that is applied flat over the seams. Coverage of sealant over all seams should be at least 1 in. on either side of the seam. wedi® Joint Sealant should be no less than 1/16 in. thick to ensure strength. Do not add mesh tape into the wedi® Joint Sealant; this may put the waterproofing performance at risk, and will not strengthen the sealant or system resistance against movement-related stresses. It is recommended to add wedi mesh tape over seams featuring outside corners (e.g. pony wall tops or curb deck transitions). The wedi mesh tape is applied over finished and topically sealed seams once these are dry to the touch. wedi joint sealant is then applied to cover the mesh. This method allows you to apply more sealant consistently over a transition where it is difficult to apply sufficiently thick sealant. The mesh functions here as a thickness gauge, but has no other function. Once the sealant has been applied over all shower system seams, an optional water flood test may be performed by building a temporary dam and water can be added as little as 12 hours after application of wedi® Sealant 620. Please ensure both, wedi® Joint Sealant and wedi® Sealant 620 have cured sufficiently and has formed a skin no longer pliable or sticky leaving sealant residue upon touch. The sealants are moisture curing products that will react to cure very slow when applied in a location with low relative humidity in the air, and it will overreact and malfunction if exposed to too much water (e.g. flood test) too early. wedi® Sealant 620 needs extended cure times. The flood test should not exceed 24 hours, nor should the water level exceed the height of the perimeter seams so that the fresh sealant may continue to a full cure without too much weight added during that process. wedi recommends testing the drain connection for a proper seal. While a full surface flood test is not required for non-absorbing products like wedi, it may be required by a building inspector. A temporary

dam can be installed to conduct flood testing in this curbless shower design. When tiling commences, no premixed (“mastic”) tile adhesives may be used over wedi systems in any wet area installation. When tiling the wedi® Shower Bases, including extensions, tile thickness should generally be no less than 1/8 in. Choose setting materials appropriate for the type of stone, ceramic, or glass tile as well as for a wet area installation. **No tile smaller than 2 x 2 inches square may be installed over wedi Fundo® Curbless Shower Base. No pebble stone or tile with irregular or non-flat underside may be installed over wedi Fundo® Curbless Shower Base. Tile may be installed using a good quality modified cement based tile adhesive and grout or solid epoxy adhesive and/or grout. When installing non-square tile, the length of the shortest tile edge(s) are considered as its square size for the purpose of determining the choice of the setting materials as outlined above.** Moisture sensitive tile and stone, including marble, are best protected when installed using solid epoxy tile adhesive and grout. It is recommended to verify with manufacturers of mesh mounted tile that the adhesive and mesh used to back the tile is appropriate for use in wet areas. It is important to achieve full transfer of the thinset mortar through the mesh to the back of the tile. A best practice we recommend is to remove the mesh when setting the tile. All tile installations designed to receive heavier point loads (i.e. wheelchair use) must be grouted using 100 % solids epoxy grout. Large format tile may be installed over wedi Fundo shower bases. Cuts may have to be made in consideration of the base’s slope lines and so that the tile can always be fully supported by the tile adhesive setting bed, and the surface of the wedi Base. Refer to TCNA guidelines for setting material coverage required by the tile being installed in the wet room application here. Use only cleaners and sealers free of acid or solvents on tile or grout installed over wedi product, and apply only in amounts needed to treat the surface materials without drenching the substrate. Follow setting materials manufacturer’s recommendations, and contact wedi with any questions, or regarding applications not covered here.





wedi® Curbless Shower Recess Kit

To make preparation for a wedi Fundo® Curbless Shower Kit installation much easier and safer, we offer the wedi® Curbless Shower Recess Kit. This installation kit is designed to help you recess a wood floor between existing floor joists (2 x 10 joists or engineered joists) without the need to sister these joists with more 2 x 6, or other wood framing material. It will add structural stability and safety to the recess, and allow for a safe installation process. In turn, this will help save time compared to working with framing material only. Recessing the floor is now possible even where HVAC equipment or plumbing systems are crowding the space in between joists. The wedi recess bracket support system will allow a $\frac{3}{4}$ in. wood floor to be solidly situated between and flush with joists. The bracket system connects, carries, and supports the recessed wood along floor joists; along the surrounding subfloor (not recessed) and the sides of the shower where the wood meets the framing bottom plates. Ensure the general subfloor construction, before installing the wedi system, meets current IRC requirements for structural construction, meets dead and live load minimum requirements, and has a deflection potential of less than $L/360$. Once the wedi bracket system is installed, and the recessed floor is in place, all requirements will be met or exceeded. The system comes in one box equipped with two different profile types, and all the necessary hardware. One kit covers recessed spaces for a wedi Fundo® Curbless Shower Base up to 5 ft. x 5 ft. in size. Do not use this system for any other recessed shower installations except the wedi Fundo® Curbless Shower System.

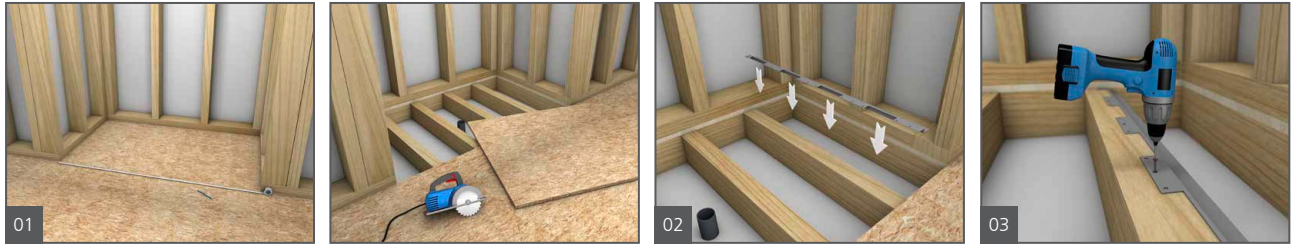


Joist Bracket

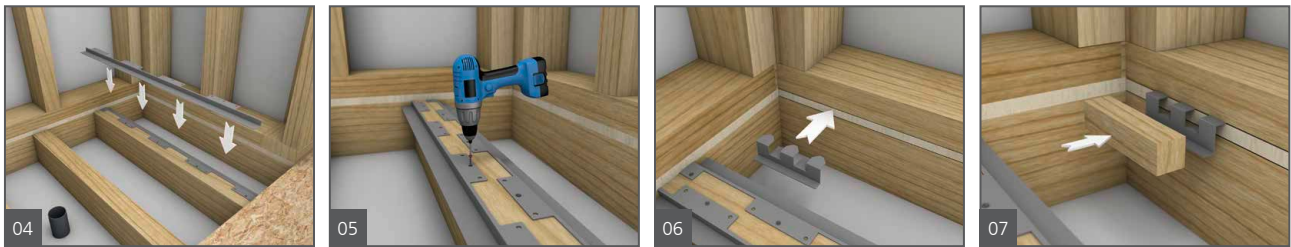


C-Bracket

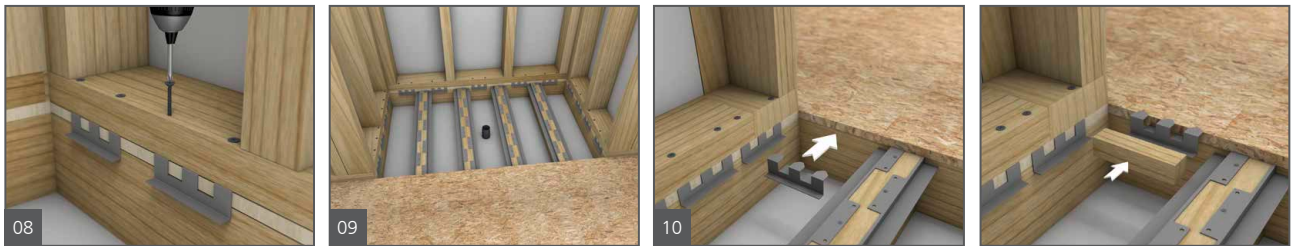
wedi® Curbless Shower Recess Kit Installation Guide



1. Measure and mark the area of subfloor to be removed. Use a circular saw to cut close to the framing. wedi recommends a combination of saws (i.e. sawzall or rotary cutter tool) where a standard circular saw might not reach. Ensure the 2 in. floor waste pipe is installed and positioned to fit the curbless shower base drain. The pipe is cut square and even at $\frac{5}{8}$ in. below the recessed subfloor top surface. A 6 $\frac{1}{2}$ in. cutout must be made into that floor strip with the drain pipe in its center. It is important to position the drain and cutout to not interfere with a floor joist.
2. Cut the joist brackets to the length of the exposed floor joists. Depending on length and direction of floor joists, you may need to add a shorter joist bracket. Do not use joist brackets shorter than 12 in., or equipped with less than two (at least partial) mounting flanges.
3. Install the joist brackets to the floor joist using the pancake head wood screws provided by wedi. Set one screw per each mounting flange in the center screw hole (unless bracket is cut, which is when at minimum two mounting flanges must be fastened using available screw holes). Brackets should be aligned with the top and side of floor joists, but allowing for up to $\frac{1}{8}$ in. and minimum of $\frac{1}{16}$ in. space between the floor joist's vertical side and the metal bracket. This helps to mitigate joist expansion/contraction, and irregularities without creating too much tension.

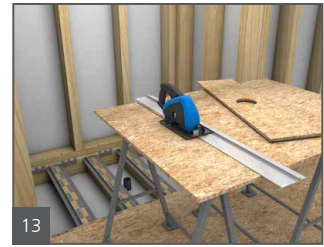
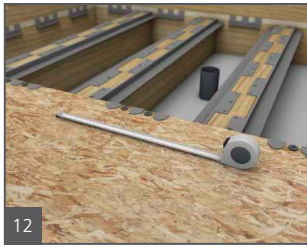


4. Fasten the next bracket on the other side of the floor joist. The mounting tabs must be staggered from those on the first bracket; this may require cutting the second bracket.
5. Repeat the process shown under step 4 and install joist brackets to all exposed joists.
6. Place C brackets at the wall sides. The C brackets are installed at both ends of the recess area first, and then along the wall/side every 12 in. (center of C bracket to center of C bracket).
7. The C brackets are inserted with their claws between the floor surface and the underside of the base plate. Use a wood block or a hard rubber mallet to push the C brackets into position.

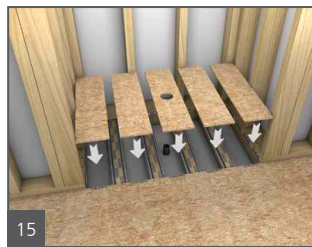


8. Make sure the C brackets are mounted in a level position (assuming a level base plate), and use the longer Phillips self-drilling screws with wings provided by wedi. Fasten through the base plate and into the metal claw resting between the base plate and the wood floor top.
9. Install one C bracket against the wall, and centered between each pair of floor joists.

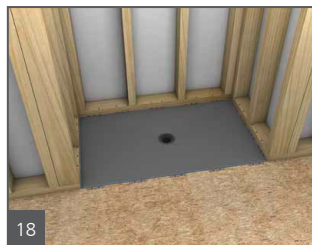
10. Dry-fit C brackets to the edge of the wood floor to ensure C brackets can be installed for full support along the edge of the floor plate. Use a wood block or hard rubber mallet to push the brackets to position.



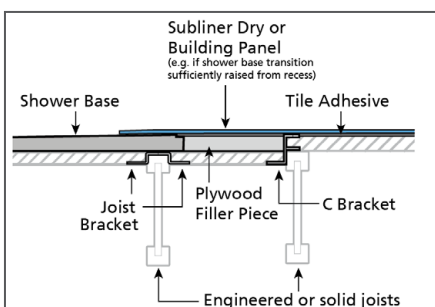
11. Use the shorter Phillips head self-drilling screws with wings provided by wedi to fasten C brackets to the edge of the wood subfloor at the open side of the shower area. Fit the brackets between flanges of the joist/wall brackets. Use two screws to fasten this bracket through the wood floor and into the lower claws.
12. Measure and mark to cut wood strips to fit the recess bracket support system between joists, being sure to leave 1/8 in. gap between strips and brackets. The gap allows for expansion of wood without creating undo tension.
13. Cut the wood floor strips. Additionally, cut the strip for the drain area and include a 6 1/2 in. diameter hole that will be set over the center of the floor waste pipe.



14. Clean and degrease the bracket support flanges/surfaces and apply a 1/4 in. bead of wedi® Joint Sealant. Use wedi® Joint Sealant, or a construction adhesive suitable for metal and wood application.
15. Place all wood strips into position on the brackets.
16. Secure the wood strips to the C and Joist brackets using the shorter Phillips head self-drilling screws with wings as provided by wedi. Fasten, at minimum, every 10 inches where joist brackets are present, or where C brackets are in-line along the framed wall and parallel to the floor joists. Fasten wood into all other C brackets with a minimum of two screws where singular C brackets are mounted between floor joists on wall framing or wood floor transition side.



17. Install the curbless shower base in a bed of tile adhesive as per the wedi Fundo® Curbless Shower Base installation manual.
18. Curbless shower base is now flush with the surrounding subfloor, and is supported by a subfloor with structural integrity for a safe tile installation.



i When the joists are parallel to the shower entry, the transition to the recessed floor needs to be placed on the front (the edge of a joist adjacent to the recessed part) edge of floor joist regardless of final placement of the sloped shower base placement. This means at times the recess needs to be extended past the intended shower base space. It is important that the transition of the non-recessed subfloor panel is fully supported by the floor joist. The additionally resulting recessed space not covered by the shower base can be filled in with plywood in a thickness needed to create a flush transition floor area. The entire transition area is the waterproofed with wedi tile underlayment connecting or overlapping into the shower base (either wedi® Subliner Dry or a wedi® Building Panel with a sealed notch connection to shower base channel.)

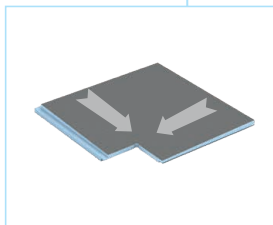
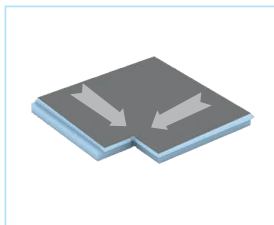
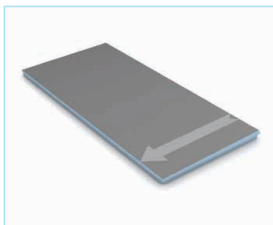
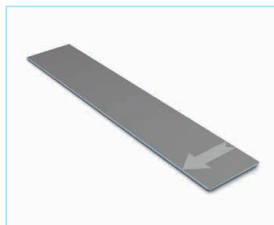
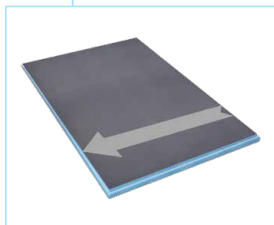


wedi® Extension Panels

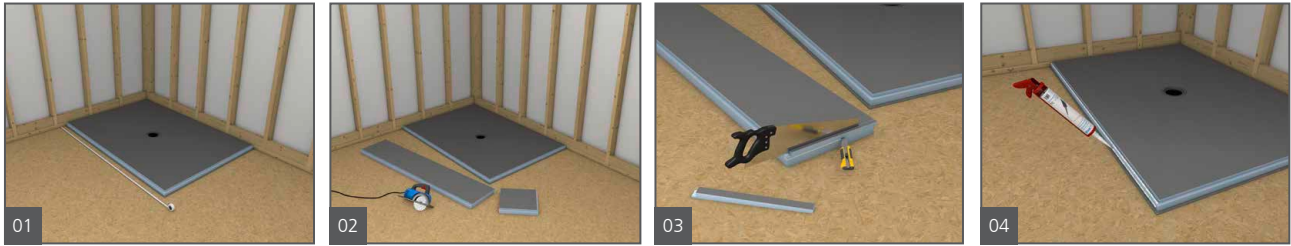
In addition to customizing our shower bases by cutting them down and re-creating the ½ in. channel, wedi also has extension panels and pre-made corner extension panels to extend the shower base. If one extension panel isn't large enough, you can use multiple extension panels to achieve the desired overall shower base size. You can use extension panels on one side of the wedi shower bases or multiple sides. The extension panels are all pre-sloped ¼ in. per foot in one direction. For the perfect fit and slope, consider using miter cuts at the shower base corner where two extension panels may meet.

For the wedi Fundo® Shower Base and wedi Fundo® Linear Shower Base, you will want to use the wedi® Shower Extension 12 in. x 72 in. or the wedi® Shower Extension 24 in. x 48 in. For wedi shower bases thicker than 1½ in. where an extension is connected, it will require a wedi® Building Panel to be placed under the extension panel to adjust for a proper fit. If multiple extensions are used, the proper thickness building panel will need to be installed under the extension to ensure sloped surfaces align properly.

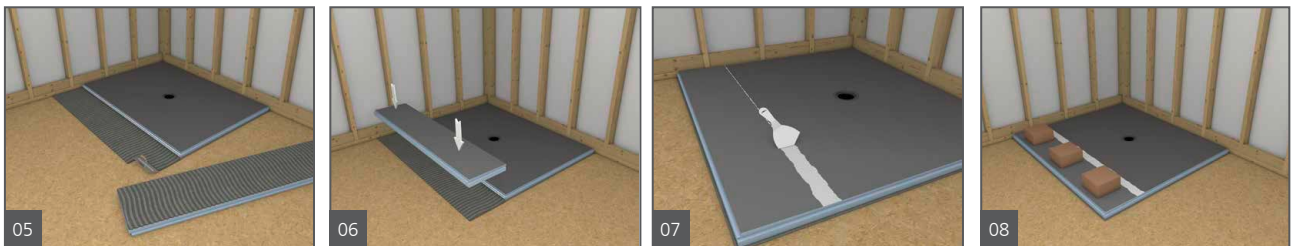
For the curbless shower base, you'll want to use the wedi® Curbless Shower Extension 12 in. x 60 in. When adding an extension panel at or near the shower entrance, the overall thickness of the shower floor/base is increased and may require adjustments in the adjacent floor height. For curbless showers larger than 6 ft. x 6 ft., it is also an option to use two Curbless Shower Bases with two drain assemblies with plumbing connections to keep the perimeter height as low as possible. Corner extension panels are also available when needing to extend a shower in two directions.



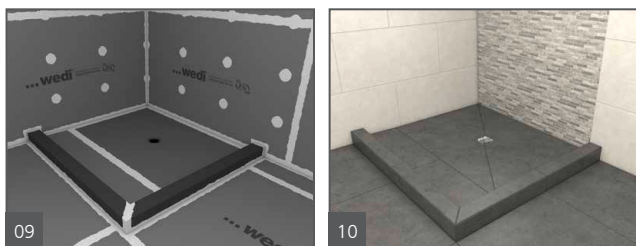
wedi Fundo® - Sloped Shower Extensions



1. wedi Fundo® shower base is installed first. Determine measurements for the extended shower area. In this example, we are extending the shower area in one direction only using our extension panel.
2. Cut the extension panel to size using a circular saw or handsaw and dry-fit the extension panel to the shower base's perimeter channel. The extension panel features pre-made channels ½ in. deep and ½ in. wide, to connect to the shower base, as well as channels on its top surface perimeter where wedi Building Panels (at a wall transition), or a curb can be connected safely.
3. If additional channels are needed after cutting to size, these can be re-made and cut out using a circular saw and / or a utility knife.
4. A ½" bead of wedi joint sealant is continuously applied on the horizontal and vertical surface area of the Fundo base channel.



5. Apply a modified thinset bed on the subfloor as well as on the underside of the extension using a ¼ in. x ¼ in. square notch trowel on each surface. Make sure the mortar does not contaminate the joint sealant.
6. Install and press the extension panel into the thinset bed and let it connect tightly into the channel connection of the Fundo shower base. Use a flat putty knife to spread all excess joint sealant flat over the connection seam.
7. Finally, a continuous ½ in. bead of wedi joint sealant is applied over all surface connection joints and spread over the joints using a putty knife.
8. Weights are applied equally over the shower floor to promote a firmer bond with the thinset mortar allowing you to continue working on the shower walls immediately.

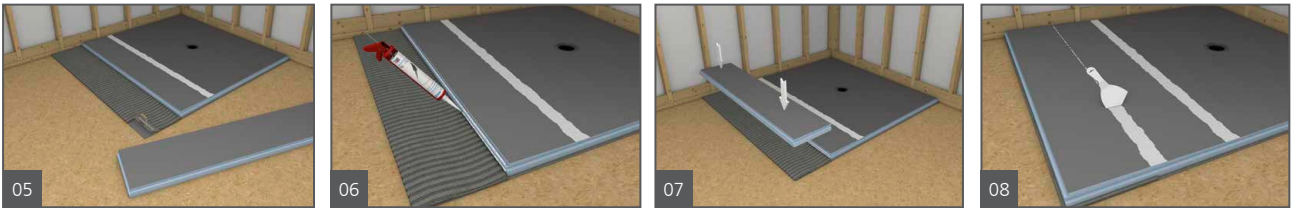


9. The installation can now be completed using wedi® Building Panel for walls and wedi curbs to separate the sloped shower floor from the flat bathroom floor.
10. The shower unit is ready for tiling. Please consider and plan for the tile cut and grout line design. The shower base features slope fields that direct water to the drain from all sides, while the extension surface provides one sloped direction. For tile size recommendations and other post installation considerations please review the applicable wedi Fundo® Shower Base, Installation Manual, which applies to the extended shower floor area as well.

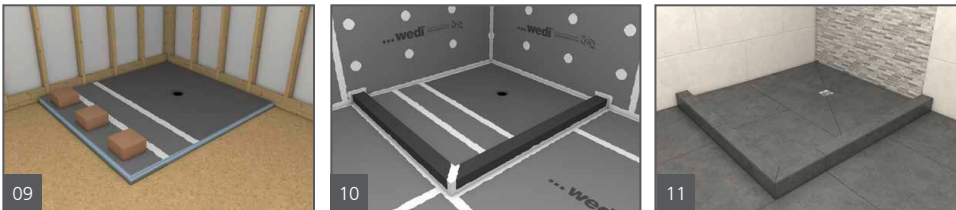
wedi Fundo® ▪ Adding a second (or multiple) shower extensions



1. Determine measurements for the next extended shower area. In this example, we are extending the shower area in one direction only using our extension panels to connect to a previously installed extension panel. In this way, wedi Fundo shower bases can be extended indefinitely. Please note that all added extensions will increase the height of the construction from the floor through the slope built into the extensions.
2. Usually, this requires adding additional wedi® Building panels of the thickness types 1/8 in., 1/4 in., or 1/2 in. to build-up the added extension for a tight fit. Panels may need to be combined and multiple panels are adhered using a full surface contact bed of thinset mortar applied using a notch trowel between 1/8 in. square to 1/4 in. square. Please dry-fit this build up and consider the thickness of mortar to be added.
3. Apply a modified thinset bed on the subfloor using a 1/4 in. x 1/4 in. square notch trowel. Make sure the mortar does not contaminate the joint sealant.
4. Place the wedi® Building Panel into the thinset bed.

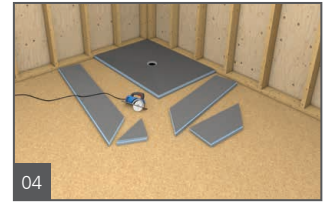
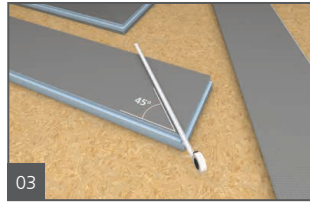
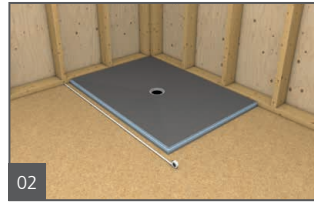
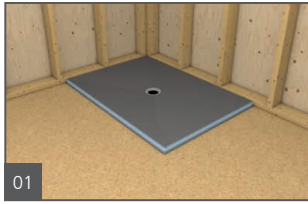


5. Apply a modified thinset bed on the Building Panel using a notch trowel.
6. A 1/2 in. bead of wedi® Joint Sealant is continuously applied to the horizontal and vertical side of the extension panel already installed on the floor.
7. Install and press the new extension panel into the thinset bed and let it connect tightly into the channel connection of the Fundo shower base.
8. Use a flat putty knife to spread all excess joint sealant flat over the connection seam. Finally, a continuous 1/2" bead of wedi® Joint Sealant is applied over all surface connection joints and spread over the joints using a putty knife.

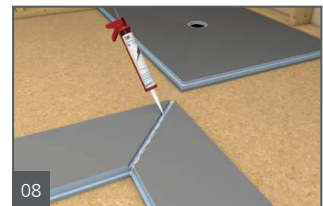
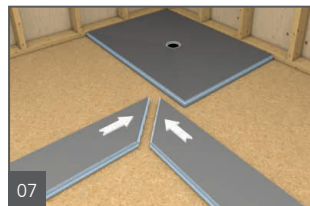
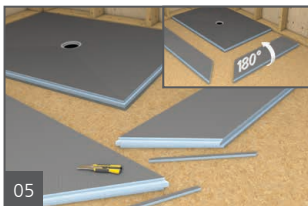


9. Weights are applied equally over the shower floor to promote a firmer bond with the thinset mortar allowing you to continue working on the shower walls immediately.
10. The installation can now be completed using wedi® Building Panel for walls and wedi curbs to separate the sloped shower floor from the flat bathroom floor.
11. The shower unit is ready for tiling. Please consider and plan for the tile cut and grout line design. The shower base features slope fields that direct water to the drain from all sides, while the extension surface provides one sloped direction. For tile size recommendations and other post installation considerations please review the applicable wedi Fundo® Shower Base, Installation Manual, which applies to the extended shower floor area as well.

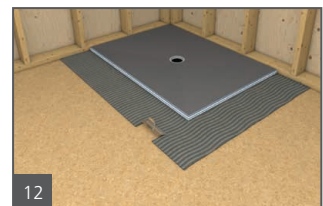
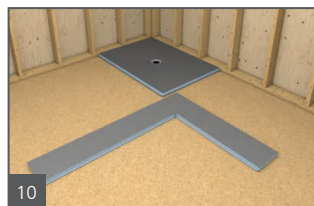
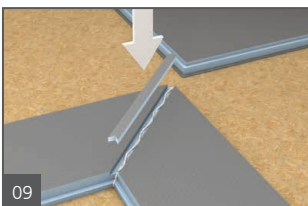
wedi Fundo® ▪ Installing sloped extensions across shower base corners



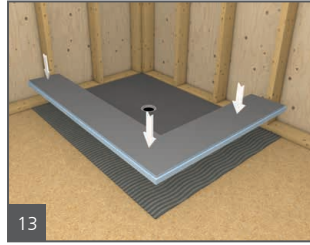
1. wedi Fundo® shower base is installed first.
2. Determine the measurements for the shower area to be extended. In this case, we will extend the shower area on two sides.
3. Measure, cut and dry-fit two extensions so they can be abutted along a 45 Degree corner seam.
4. Cut the extension panels to size using a circular saw or handsaw and dry-fit the extension panel to the shower base's perimeter channel and so they can join butted tightly at the corner. The extension panel feature pre-made channels ½ in. deep and ½ in. wide, to connect to the shower base, as well as channels on its top surface perimeter where wedi Building Panels (at a wall transition), or a curb can be connected safely. If additional channels are needed after cutting to size, these can be re-made and cut out using a circular saw and/or a utility knife.



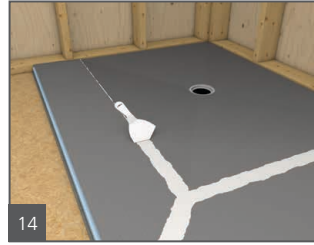
5. Turn both extensions on their back and cut a ½ in. x ½ in. notch channel into each extensions edge where both extensions connect. Make and dry-fit a strip of ½ in. Building Panel into the 1 in. x ½ in. channel formed by the two extensions where these join.
6. Apply ½ in. beads of wedi® Joint Sealant along the edge of both extensions where these later connect.
7. Join both extensions and press these together tightly and keep pressure on the panels so the sealant can initiate its curing process under pressure for at least 30 minutes.
8. Apply two ½ in. beads of wedi® Joint Sealant along and inside the channel.



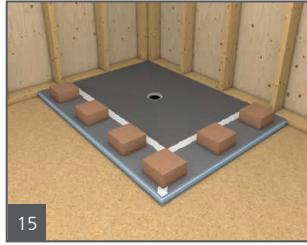
9. Insert the ½ in. wedi® Building Panel strip. Make sure the strip is shaped to fully align with the channel shape. Where the extension connects the the shower base corner, this strip will need to show a V cut. On the other side of the strip on the exterior corner, it will have the shape of a pointed arrow. Apply a final seal of wedi joint sealant over the seamed area and cover it widely and 1 in. beyond all seams.
10. Allow the extension to cure for at least 30 minutes.
11. A ½ in. bead of wedi® Joint Sealant is continuously applied on the horizontal and vertical surface area of the Fundo base channel.
12. Apply a modified thinset bed on the subfloor as well as on the underside of the extension using a ¼ in. x ¼ in. square notch trowel on each surface. Make sure the mortar does not contaminate the joint sealant.



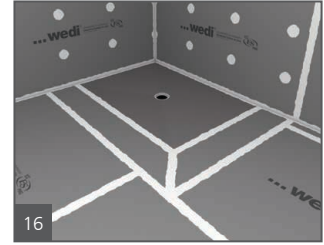
13



14

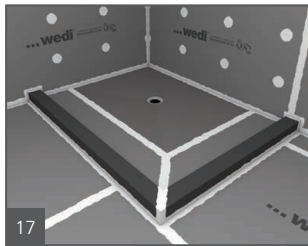


15



16

13. Carefully turn the extension panel corner so its sloped side is up. Press the panel firmly into the thinset bed.
14. Finally, a continuous ½ in. bead of wedi® Joint Sealant is applied over all surface connection joints and spread over the joints using a putty knife.
15. Weights are applied equally over the shower floor to promote a firmer bond with the thinset mortar allowing you to continue working on the shower walls immediately.
16. **Option 1:** The installation can now be completed using wedi® Building Panel for walls and bathroom floor.



17

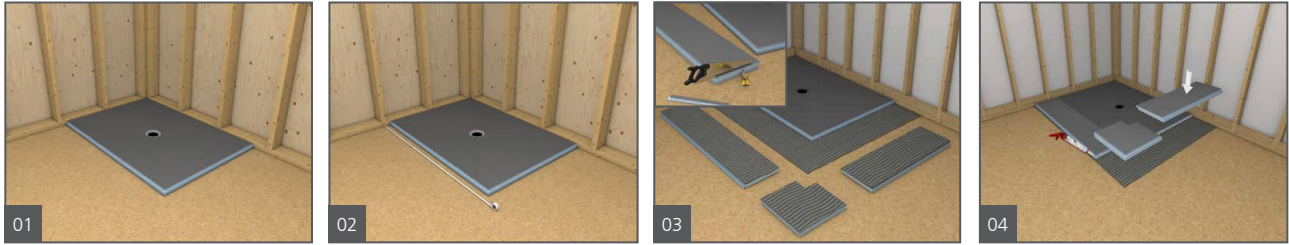


18

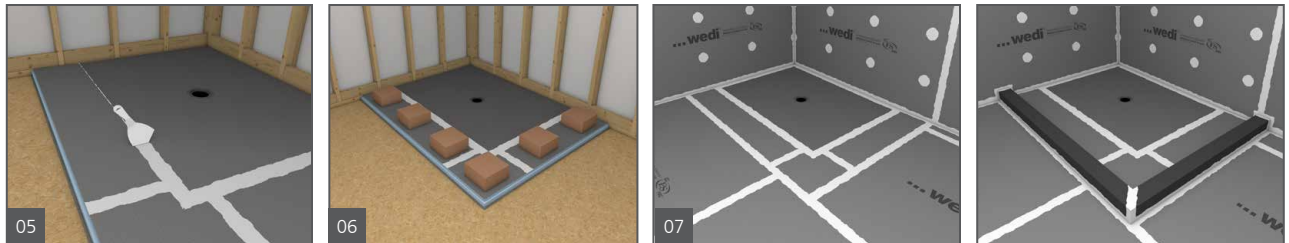


17. Option 2: The installation can now be completed using wedi® Building Panel for walls and wedi curbs to separate the sloped shower floor from the flat bathroom floor.
18. Option 3: The shower unit is ready for tiling. Please consider and plan for the tile cut and grout line design. The shower base features slope fields that direct water to the drain from all sides, while the extension surface provides one sloped direction. For tile size recommendations and other post installation considerations please review the applicable wedi Fundo® Shower Base, Installation Manual, which applies to the extended shower floor area as well.

wedi Fundo® ▪ Installing pre-made sloped corner extension panels



1. wedi Fundo® shower base is installed first.
2. Determine the measurements for the shower area to be extended. In this case, we will extend the shower area on two sides.
3. Measure and cut your extension panels using a circular saw or handsaw and dry-fit the corner extension panel to the shower base's perimeter channel and so it can join interlocking tightly into the base's channel and connect and interlock to the straight extensions on both sides as well. The extension panels feature pre-made channels ½ in. deep and ½ in. wide, to connect to the shower base, as well as channels on its top surface perimeter where wedi® Building Panels (at a wall transition), or a curb can be connected safely. If additional channels are needed after cutting to size, these can be re-made and cut out using a circular saw and/or a utility knife.
4. Apply a modified thinset bed on the subfloor as well as on the underside of the extension using a ¼ in. x ¼ in. square notch trowel on each surface. Make sure the mortar does not contaminate the joint sealant. With the sloped side up firmly press extensions into the thinset mortar bed and connect to shower base and side extension(s).



5. A ½ in. bead of wedi® Joint Sealant is continuously applied on the horizontal and vertical surface area of the Fundo base channel and to and along all notch connections of extensions in the same manner (it is enough to apply only on one side/product when connecting two products). A continuous ½ in. bead of wedi® Joint Sealant is also applied over all surface connection joints and spread over the joints using a putty knife once all extensions are connected tightly fitting.
6. Weights are applied equally over the shower floor to promote a firmer bond with the thinset mortar allowing you to continue working on the shower walls immediately.
7. The installation can now be completed using wedi® Building Panel for walls and wedi curbs to separate the sloped shower floor from the flat bathroom floor.

Linear drain shower systems

Everything for the shower area with stylish, linear drainage; optionally with the drainage channel close to the wall, at a distance from the wall, centrally positioned, or along the entry to the shower. In addition to the shower element, wedi offers its factory-integrated and waterproofed drain, and a wide variety of channel covers (standard, exclusive, or tileable).

The wedi Fundo® Linear Shower System offers full warranty coverage like all wedi Fundo® Shower Systems, thanks to its consistent and inherently waterproof core, and its range of specially-engineered components. The base features a strong, pre-sloped surface, allowing for tiling immediately whether you choose mosaic or large format tile. The wedi Fundo® Linear Shower Base is designed with a 4-way slope which allows the base to maintain a level perimeter thickness despite its off-center drain location. This makes it safe and easy to install linear bases in curbless shower designs and into a sufficiently recessed floor structure. Linear bases are commonly installed with a curb, but can be placed in curbless designs where a recessed floor is available and accommodates the increased depth due to the one-sided build up of the shower base thickness due to the one-directional slope. Pre-sloped extension panels are available so that no limit exists for creating any size or shape for custom shower designs.

The wedi Fundo® Linear Shower Module is designed with two elements: a line module with integrated drain, and a sloped extension panel to provide the shower base. The single and one-directional slope allows for drain positioning close to a wall and is ideal for the use of large format tile without the need for miter cuts. The wedi Fundo® Linear Shower Base and Module come equipped with a wedi® Fundo Click and Seal® Drain Kit drain unit, designed for safe performance and to ensure a perfect tiling experience.

Key features of wedi® Fundo Click and Seal® Drain Kit drain are:

- A safe compression fit seal to the entire range of 2 in. floor waste pipes whether made of PVC, ABS, or Cast Iron.
- All drain parts function in a mechanical, simple and controlled process – with no glues or sealants needed
- wedi® Fundo Click and Seal® Drain Kit mechanism allows for simple and safe assembly.
- wedi® Fundo Click and Seal® Drain Kit allows for a connection to a floor waste pipe that is easily cut flush with the floor, and it can connect safely even where the floor waste pipe is slightly angled (up to 5 Degrees). Please always test the seal of a drain to waste pipe connection by plugging up the drain and filling with water until it reaches the cement surface of the wedi shower base.
- wedi linear drain covers can be adjusted in height during tiling to meet all tile designs perfectly- from ¼ in. tile to 1 in. tile.
- Provided that the waste pipe and plumbing is open, wedi Fundo® linear drain and drain cover flow rates exceed 14 gallons/minute

These added values and perfection in details eliminate the technical concerns in shower installations. But this is not where wedi shower systems stop offering added value. The wedi Fundo® Shower System adds to your productivity and enables you to provide real value to your customers: Our wedi Fundo® Shower Systems reduce the installation time for just the shower floor from a 2-3 day process (including drying times) to only 30 minutes when compared to traditional methods built with pre-slope, vinyl liner, and final mortar bed. wedi helps you to complete a shower installation quicker, cleaner, and safer. Especially for our contractors, wedi Fundo® Linear ShowerBase helps to get to setting tile faster and on a much more consistent and tile-friendly surface. Customers will appreciate the “no noise, no dirt, no dust” installation. wedi products do not contain harmful ingredients, providing peace of mind to contractors and end users. The exact and consistently shaped slope fields support perfection in tile setting and design. The cement-based resin surface coatings on our products provide a great bond surface for tile, stone, and many other materials. All good-quality, cement- or epoxy-based tile adhesives recommended for use in wet area applications work great on wedi Fundo® Linear Shower Module.

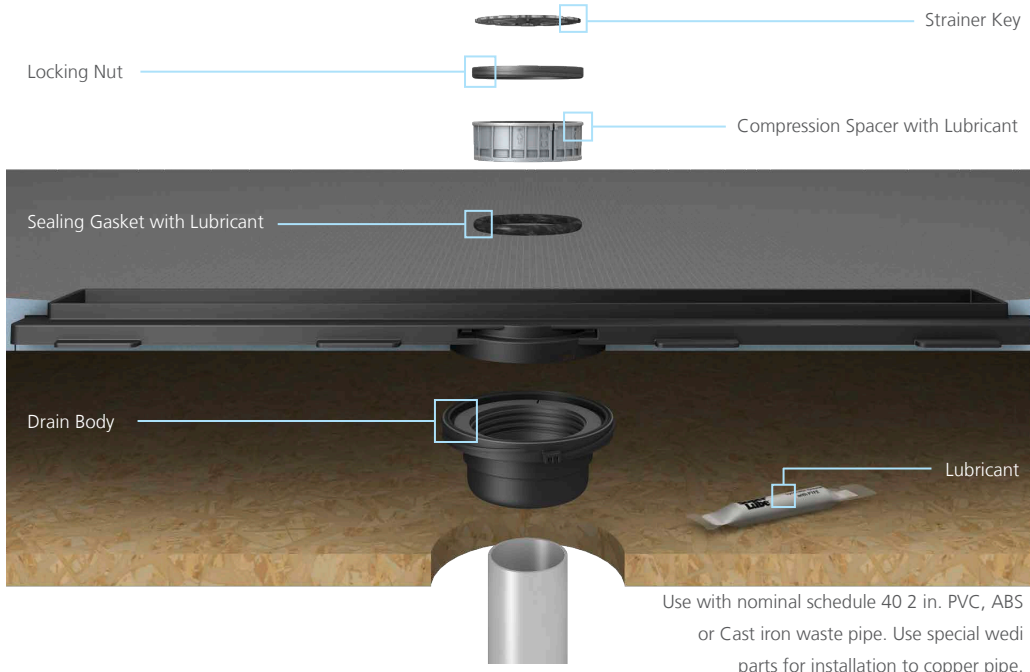
The entire shower, from floor to wall, is all under one warranty.



The wedi Fundo® Linear Shower Kit

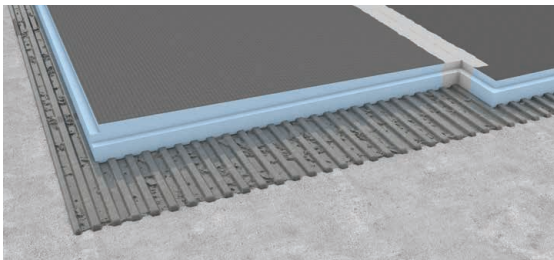
Fundo Linear Shower Base - Drain Assembly and Base Modification if Needed

wedi Fundo® Linear Shower Base, wedi Fundo® Linear Shower Module, and wedi Fundo® Linear Shower Kit

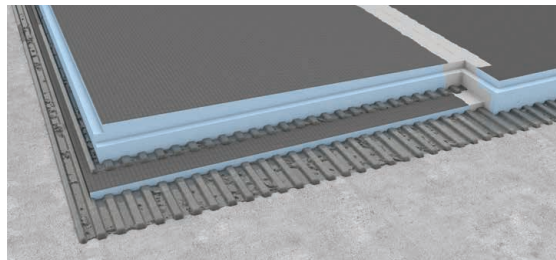


wedi Fundo® shower bases may be cut and/or extended

wedi prefabricated extensions are pre-notched. They can be joined with other extensions in a mitered design, joining two or more sides of a shower to be extended. Make interlocking notch connections on-site as needed for mitered connections. Consult wedi's manual for using wedi sloped extensions.



The shower base may be extended using a pre-sloped wedi extension panel.



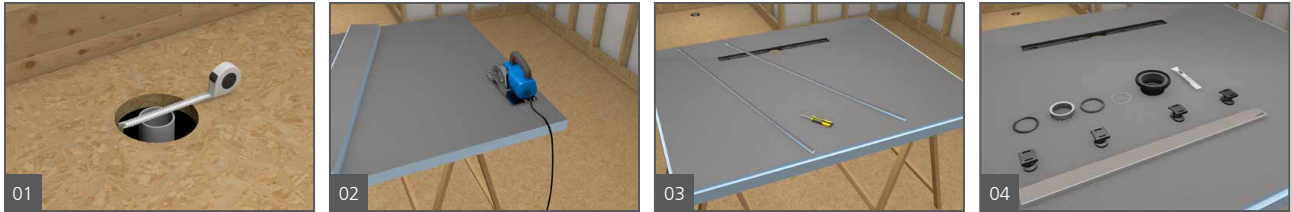
wedi shower bases thicker than 1½ in. where an extension is connected require a wedi building panel be placed and thinset mortar adhered under the extension panel to adjust for a proper connection fit.



A wedi shower base can be cut to size using a circular saw with a standard carbide blade. You can remake the ½ in. x ½ in. perimeter channel by cutting through the cement surface using the circular saw set to cut ½ in. deep. You can use a circular saw or a sharp utility knife to cut the new channel ½ in. wide through the blue exposed foam side. Clean the new channel and the base and remove all saw dust and loose particles.



wedi Fundo® Linear Shower Base - Installation Manual



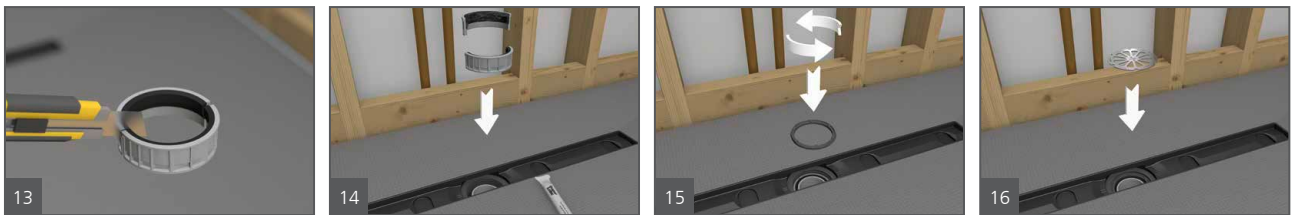
1. Cut the 2 in. waste pipe even and flush with the subfloor surface. Make sure that the cut out fits to the Fundo panel drain. The distance measurements of the center of the pipe, when measured from all walls, should match the distance measurements of the Fundo base's drain center to the outside edges of its perimeter (including the channel). Cut out a 5 in. diameter hole around the 2 in. pipe's center to allow for the wedi drain to be inserted into the subfloor while the cut out area must remain free of deflection. The drain waste pipe and P-trap have to be safely affixed to and supported by the subfloor structure.
2. Cut the Fundo base to fit between framed walls and so its wedi drain unit can connect with the floor waste pipe. Consider also the space needed by a curb or extension before cutting your wedi base. Consider that cutting the base may change the slope design and tile layouts should be considered before cutting. Consider that enough material thickness remains available to later remake the ½ in. x ½ in. perimeter channel whereby the bottom of the channel must not be thinner than ¼ in. Do not cut close to the integrated drain and maintain a minimum distance of 2 in. from the drain opening. It is recommended to turn the base on its back so you can move the circular saw over a flat surface ensuring a square cut. The distance measurements of the center of the pipe, when measured from all walls, should match the distance measurements of the Fundo base's drain center to the outside edges of its perimeter (including the channel).
3. Once cut, you want to dry-fit the base and then remake the ½ in. x ½ in. perimeter channel where the base connects to wedi Building Panels, curbs, ramps or extensions. Clean the base and channels from saw dust using a vacuum cleaner.
4. Next, install the wedi® Fundo Click and Seal® Drain Kit. Drain components are delivered inserted inside the Drain Body. Please take the parts out and use step by step following our manual here.



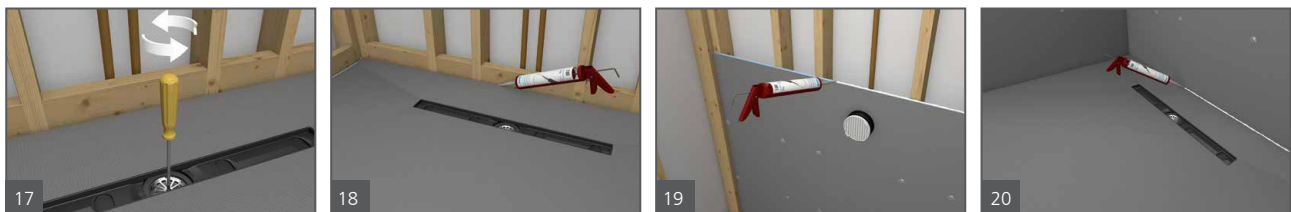
5. Apply the wedi-provided safe lubricant to the black rubber ring inside the wedi Drain Body.
6. Insert the Drain Body snugly into the receiving mechanism of the Drain Unit on the underside of the Fundo base.
7. Once inserted, turn the Drain Body clockwise until its plastic flap clicks in position in its final resting position. This will require no more than a quarter turn. Ensure a tight connection by pushing and pulling on the Drain Body and verifying a flat seat relative to the shower base surface. If you ever want to remove the Drain Body from a locked position, use a flat head screwdriver to push the snap mechanism's plastic flap inwards while unscrewing the Drain Body counter-clockwise (**LEFT**) at the same time. In case it is difficult to hear the click mechanism, you can also verify a safe connection as described under point 8.
8. On the top side of the drain you can verify the drain unit has successfully connected when the single hash marks are centered between the double hash marks.



9. Clean the subfloor with a moist sponge to remove dust and dirt, and apply a skimcoat of a suitable, modified tile adhesive/ thinset (ANSI 118.4 or better), and comb through with a ¼ in. x ¼ in. notched trowel. Notches should be applied uniformly and point towards the shortest side of the base area. You can also use a ½ in. square notch trowel, instead.
10. Trowel the thinset on the rear side of the Fundo again using a ¼ in. x ¼ in. notched trowel. Flat trowel the thinset over the entire product's cement surface, then comb through thinset bed creating channels pointing in same direction as applied on subfloor. If a ½ in. square notch trowel was used to apply thinset to the subfloor, you want to apply only a flat skim coat of thinset on the rear side of the Fundo.
11. Press the Fundo firmly into the thinset bed (sloped side up) ensuring that the installation is level along its perimeter and sides, and thinset attachment and coverage is void free. Apply some weight equally and leave on surface and drain area to allow the thinset to initially cure without being disturbed (e.g. tile boxes). Make sure the floor waste pipe is centered within the wedi drain unit and remains there until the drain connection is completed.
12. Apply wedi-provided safe Lubricant to the Rubber Sealing Gasket and insert the Rubber Sealing Gasket between the wedi Drain Unit's interior and the outside of the 2 in. waste pipe in the floor. Push the Rubber Sealing Gasket down along the waste pipe until it is stopped by the Drain Unit's lower interior flange.



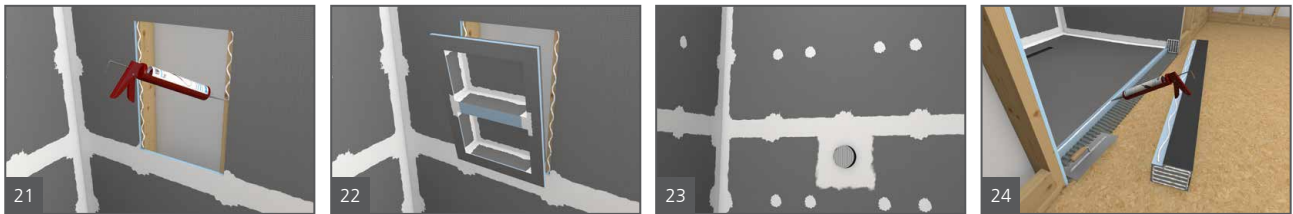
13. Using a sharp utility knife cut the Compression Spacer into two halves along the pre-made cut lines/notches. This will allow you to insert both halves through the the narrow drain opening. Apply wedi-provided safe Lubricant to the rubber part of the Compression Spacer halves.
14. Insert the first and then the second half of the Compression Spacer in between Drain unit and waste pipe. They will both rest tightly on top of the Rubber Sealing gasket after they will push it into final resting position. The Compression Spacer's rubberized part will not always sit flush with the floor waste pipe's edge, which is due to the thinset thickness tolerances under the shower base. **Note:** The rubberized part of the Compression Spacer is not part of the wedi drain's waterproofing design – it is used solely to keep all dirt out of the drain connections.
15. Insert the Locking Nut with notched side up into the threaded part of the Drain Unit opening and screw down until Locking Nut top is flush with top edge of Drain Unit's threaded part. **Important: Turn Locking Nut to LEFT to insert and screw into flush position.**
16. Insert Strainer Key into Locking Nut at notch connections and with Strainer Key printed side up. The Strainer Key is used as a tool to tighten the compression seal of the Drain Unit, but remains in place later to serve as a hair catcher to protect the drain and make maintenance and cleaning easy.



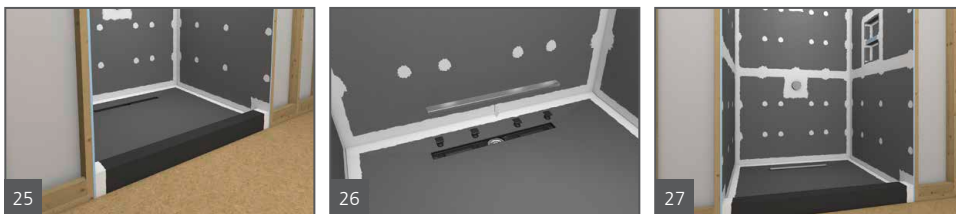
17. Insert a flat headed screwdriver into Strainer Key slit and turn **LEFT** to tighten the compression seal (turn Counter-Clockwise). Achieve a hand-tight fit and do not overtighten.
18. Clean the perimeter channels from dust or any other contaminants. Set up a continuous ½ in. bead of wedi® Joint Sealant

along the bases's channel on the outer perimeter and only in areas where you can immediately install a building panel into the fresh sealant.

19. Push the wedi® Building Panel fully into the channel of the shower base, being sure the bead of sealant is fully compressed. Smooth out any pushed out sealant on inside seam using a putty knife. Fasten the panels directly to the studs starting 1 ft. above the base and in corners while keeping the board pushed down into the channel, and set the wedi fasteners with wedi washers at a rate of one fastener per 1 ft. On every framing stud, one fastener has to be installed through the seam between two adjoining building panels to create a smooth transition. wedi requires wedi® Building Panels to be installed in all areas exposed to water and never lower than 6 inches above the highest wall-mounted shower fixture.
20. Apply continuous ½ in. beads of sealant between all connections of panels and install with tightly butted seams. Excess sealant must be spread flat with a putty knife. All seams and fastener heads in the assembly are covered with a topical ½ in. bead of sealant and spread flat. The seams should be covered 1 in. on either side of a seam. All fastener/washers are covered with sealant stretching 1 in. over the washer edges.



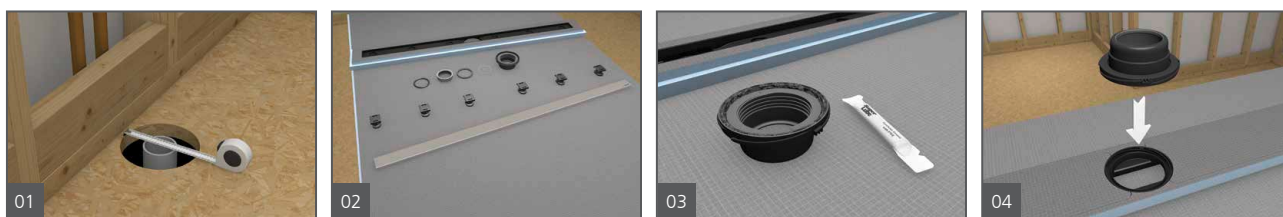
21. wedi Niches are installed in a cut out in the wedi wall and attached with it's flange right into the center of 16 in. o.c. studs. wedi® Joint Sealant is set along the connection of wall to niche.
22. Fasteners every 12 inches on either side of the niche, or a minimum of one fastener on each of the four corners, are set to create a flat transition to wall panels. Another ½ in. bead of wedi® Joint Sealant is spread flat over fasteners and seams.
23. For the installation to properly work it is critical to waterproof all penetrations of the wedi product such as shower valves and shower heads using the appropriate sealing gaskets for the application. The wedi® Mixing Valve Seal and wedi® Pipe Seal (for ½ in. – ¾ in. shower pipe protrusions) are used for these applications, and are installed using a full bed of wedi joint sealant for attachment. These sealing measures are required for wedi's waterproofing system warranty. Contact us for alternative waterproofing options if fixtures do not fit wedi standard collars so we can recommend optional best practices under wedi warranty.
24. A continuous ½ in. bead of sealant is set into the channel and along the vertical curb notch part. ½ in. beads of wedi® Joint Sealant are equally applied on wall surfaces where the curb attaches. A ¼ in. square notch trowel is used to apply a thinset mortar on the subfloor and on the wedi curb bottom (reference wedi Fundo installation in thinset mortar). The tightly fitting curb is pressed into the connection area. wedi Lean Curbs can be installed by entirely using wedi joint sealant (replaces thinset attachment to floor). **Please note:** wedi curb notches are pre-made for channel connections to wedi bases 1½ in. thick at perimeter. When using thicker perimeter bases, please cut the curb notch for a tight dry-fit connection.



25. Weight is applied for a minimum of 30 minutes on and against the curb (from outside) and another ½ in. bead of sealant is applied over all curb seams and spread flat. The seams must be covered 1 in. either side of a seam.

26. You can now insert the wedi Fundo® Linear Drain Cover. These stainless steel covers are available in different color finishes with durable coatings, or as a natural polished stainless steel, or as a tileable cover. The covers are equipped with supports which are mounted to the cover and will rest in pre-made depressions inside the linear drain channel where they support the cover. Reference the drain cover installation manual for installation of supports, and how to adjust supports and drain covers for height to match the tile surface (adjustment varies between models from ¼ in. low to 1 in. high).
27. The wedi Fundo® Linear Shower System is now ready for tiling as soon as the surface applied wedi joint sealant is dry to the touch.

wedi Fundo® Linear Shower Module and wedi Fundo® Linear Shower Kit - Installation Manual

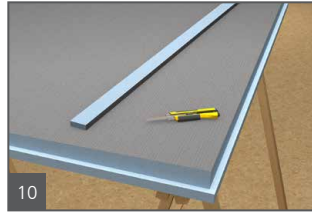
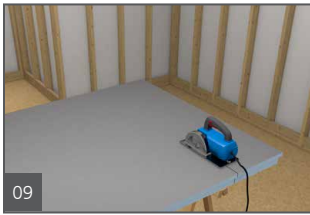


1. Cut the 2 in. waste pipe even and flush with the subfloor surface. Make sure that the cut out fits to the Fundo panel drain. The distance measurements of the center of the pipe, when measured from all walls, should match the distance measurements of the Fundo base's drain center to the outside edges of its perimeter (including the channel). Cut out a 5 in. diameter hole around the 2 in. pipe's center to allow for the wedi drain to be inserted into the subfloor while the cut out area must remain free of deflection. The drain waste pipe and P-trap have to be safely affixed to and supported by the subfloor structure.
2. Next, install the wedi® Fundo Click and Seal® Drain Kit drain unit. Drain components are delivered inserted inside the Drain Body. Please take the parts out and use step by step following our manual here.
3. Apply the wedi-provided safe Lubricant to the black rubber ring inside the wedi Drain Body.
4. Insert the Drain Body snugly into the receiving mechanism of the Drain Unit on the underside of the Fundo base. Apply the wedi-provided safe Lubricant to the black rubber ring inside the wedi Drain Body.

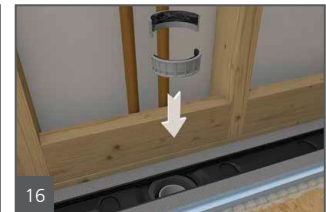
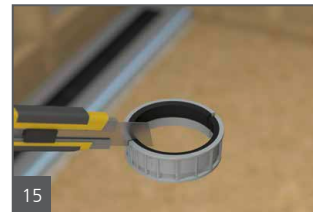
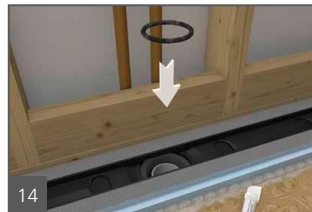
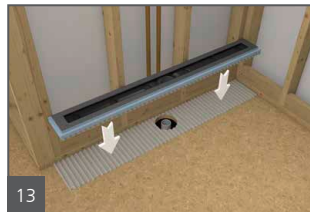


5. Once inserted, turn the Drain Body clockwise until its plastic flap clicks in position in its final resting position. This will require no more than a quarter turn. Ensure a tight connection by pushing and pulling on the Drain Body and verifying a flat seat relative to the shower base surface. If you ever want to remove the Drain Body from a locked position, use a flat head screwdriver to push the snap mechanism's plastic flap inwards while unscrewing the Drain Body counter-clockwise (**left**) at the same time. In case it is difficult to hear the click mechanism, you can also verify a safe connection as described under point 6.
6. On the top side of the drain you can also verify the drain unit has successfully connected when the single hash marks are centered between the double hash marks.
7. Dry-fit the line module to ensure it can be installed to the floor waste pipe (now in the center of the module's wedi® Fundo Click and Seal® Drain Kit) and so it covers the floor area and squares up tightly with the wall framing.

8. Measure the size for the extension module so it can cover the remaining shower floor area and squares up tightly with the wall framing and the line module. Make sure to account for the overlapping notch connection that connects line module with extension module.



9. Cut the extension module to fit. It is recommended to turn the module on its back so you can move the circular saw over a flat surface, ensuring a square cut.
10. Once cut, you want to dry-fit the extension module and then remake the ½ in. x ½ in. perimeter channel where the base connects to wedi® Building Panels, Curbs, Ramps or Extension. The ½ in. x ½ in. is a measure taken from the flat bottom edge of the module so the channel will be located ½ in. off the subfloor and going ½ in. in. This ensures that wall building panels or curbs can be connected with notch connections that are squared up with the notch of the extension module. When viewed from above, the channel will feature a depth that increases with the slope building in one direction. Once all cutting is finished, clean the module and channels from saw dust using a vacuum cleaner.
11. Clean the subfloor with a moist sponge to remove dust and dirt, and apply a skimcoat of a suitable, modified tile adhesive/ thinset (ANSI 118.4 or better), and comb through with a ¼ in. x ¼ in. notched trowel. Notches should be applied uniformly and point towards the shortest side of the base area.
12. Trowel the thinset on the rear side of the Fundo again using a ¼ in. x ¼ in. notched trowel. Flat trowel the thinset over the entire product's cement surface, then comb through thinset bed creating channels pointing in same direction as applied on subfloor.



13. Place the linear shower module into the thinset bed and press firmly into resting position and ensuring full coverage of thinset mortar between line module and subfloor leaving no voids. Ensure floor waste pipe is centered within the wedi® Fundo Click and Seal® Drain Kit. Ensure line module is squared up tightly with wall framing and is coming to rest in a level position. Apply some tile boxes/weight to keep the thinset mortar compressed during initial drying.
14. Apply wedi-provided safe Lubricant to the Rubber Sealing Gasket and insert the Rubber Sealing Gasket between the wedi Drain Unit's interior and the outside of the 2 in. waste pipe in the floor. Push the Rubber Sealing Gasket down along the waste pipe until it is stopped by the Drain Unit's lower interior flange.
15. Using a sharp utility knife cut the Compression Spacer into two halves along the pre-made cut lines/notches. This will allow you to insert both halves through the narrow drain opening. Apply wedi-provided safe Lubricant to the rubber part of the Compression Spacer halves.
16. Insert the first and then the second half of the Compression Spacer in between Drain unit and waste pipe. They will both rest tightly on top of the Rubber Sealing gasket after they will push it into final resting position. The Compression Spacers rubberized part will not always end up flush with the floor waste pipe's edge, which is due to the tolerance we allow for the position of the pipe (between flush with subfloor surface and up to ⅛ in. above subfloor surface). **Note:** The rubberized part of the Compression Spacer is not part of the wedi drain's waterproofing design – it is used solely to keep all dirt out of the drain connections.



17. Insert the Locking Nut with notched side up into the threaded part of the Drain Unit opening and screw down until Locking Nut top is flush with top edge of Drain Unit's threaded part. **Important: Turn Locking Nut LEFT to insert and screw into flush position.**
18. Insert Strainer Key into Locking Nut at notch connections and with Strainer Key printed side up. The Strainer Key is used as a tool to tighten the compression seal of the Drain Unit, but remains in place later to serve as a hair catcher to protect the drain and make maintenance and cleaning easy.
19. Insert a flat-headed screwdriver into Strainer Key slit and turn **LEFT** to tighten the compression seal. Achieve a hand-tight fit and do not over-tighten.
20. Clean the subfloor with a moist sponge to remove dust and dirt, and apply a skimcoat of a suitable, modified tile adhesive/ thinset (ANSI 118.4 or better), and comb through with a ¼ in. x ¼ in. notched trowel. Notches should be applied uniformly and point towards the shortest side of the base area.



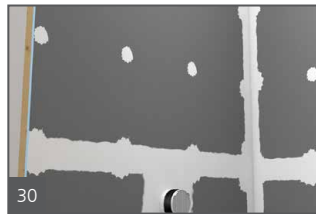
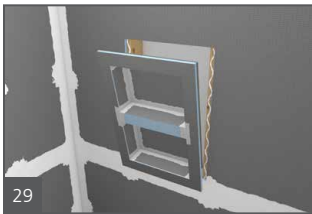
21. Trowel the thinset on the rear side of the extension module again using a ¼ in. x ¼ in. notched trowel. Flat trowel the thinset over the entire product's cement surface, then comb through thinset bed creating channels pointing in same direction as applied on subfloor.
22. Clean the connection channel of the line module from any thinset or dust and apply a continuous ½ in. bead of wedi® Joint Sealant in the channel along its entire length. Apply another continuous bead of wedi® Joint Sealant along the entire length of vertical part of the extension module's notch (shiplap) connection where it will meet with the vertical foam side of the line module.
23. Place the linear shower extension into the thinset bed and press firmly into resting position and ensuring full coverage of thinset mortar between line module and subfloor leaving no voids. Ensure a tight fit is achieved between extension module and line module along the notch connection. Ensure extension module is squared up tightly with wall framing and is coming to rest in a level position (measure inside perimeter channel notch as surface is sloped). Apply some tile boxes/ weight to keep the thinset mortar compressed during initial drying.
24. Trowel flat all excess sealant. Another ½ in. bead of wedi® Joint Sealant is applied over and along the connection seam later (to avoid large areas with fresh sealant covered seams during the installation phase).



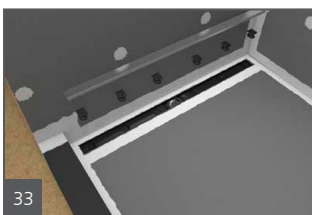
25. Clean the perimeter channels from dust or any other contaminants. Set up a continuous ½ in. bead of wedi® Joint Sealant

along the bases's channel on the outer perimeter and only in areas where you can immediately install a building panel into the fresh sealant.

26. Push the wedi® Building Panel fully into the channel of the shower base, being sure the bead of sealant is fully compressed. Smooth out any pushed out sealant on inside seam using a putty knife. Fasten the panels directly to the studs starting 1 ft. above the base and in corners while keeping the board pushed down into the channel, and set the wedi fasteners with wedi washers at a rate of one fastener per 1 ft. On every framing stud, one fastener has to be installed through the seam between two adjoining building panels to create a smooth transition. wedi requires wedi® Building Panels to be installed in all areas exposed to water and never lower than 6 inches above any shower fixture.
27. Apply continuous ½ in. beads of sealant between all connections of panels and install with tightly butted seams. Excess sealant must be spread flat with a putty knife. All seams and fastener heads in the assembly are covered with a topical ½ in. bead of sealant and spread flat. The seams should be covered 1 in. on either side of a seam. All fastener/washers are covered with sealant stretching 1 in. over the washer edges.
28. wedi Niches are installed in a cut out in the wedi wall and attached with it's flange right into the center of 16 in. o.c. studs. wedi® Joint Sealant is set along the connection of wall to niche.



29. Fasteners every 12 inches on either side of the niche, or a minimum of one fastener on each of the four corners, are set to create a flat transition to wall panels. Another ½ in. bead of wedi® Joint Sealant is spread flat over fasteners and seams.
30. For the installation to properly work it is critical to waterproof all penetrations of the wedi product such as shower valves and shower heads using the appropriate sealing gaskets for the application. The wedi® Mixing Valve Seal and wedi® Pipe Seal (for ½ in. – ¾ in. shower pipe protrusions) are used for these applications, and are installed using a full bed of wedi® joint sealant for attachment. These sealing measures are required for wedi's waterproofing system warranty. Contact us for alternative waterproofing options if fixtures do not fit wedi standard collars so we can recommend optional best practices under wedi warranty.
31. A continuous ½ in. bead of sealant is set into the channel and along the vertical curb notch part. ½ in. beads of wedi® Joint Sealant are equally applied on wall surfaces where the curb attaches. A ¼ in. square notch trowel is used to apply a thinset mortar on the subfloor and on the wedi curb bottom (reference wedi Fundo installation in thinset mortar). The tightly-fitting curb is pressed into the connection area. wedi Lean Curbs can be installed by entirely using wedi® Joint Sealant (replaces thinset attachment to floor). **Please note:** wedi curb notches are pre-made for channel connections to wedi bases 1 ½ in. thick at perimeter. When using thicker perimeter bases, please cut the curb notch for a tight dry-fit connection.
32. Weight is applied for a minimum of 30 minutes on and against the curb (from outside) and another ½ in. bead of sealant is applied over all curb seams and spread flat. The seams must be covered 1 in. either side of a seam.



33. You can now insert the wedi® Linear Drain Cover. These stainless steel covers are available in different color finishes with durable coatings, or as a natural polished stainless steel, or as a tileable cover. The covers are equipped with supports which are mounted to the cover

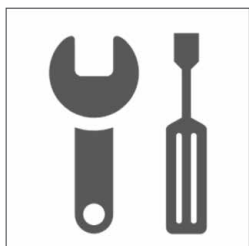
and will rest in pre-made depressions inside the linear drain channel where they support the cover. Reference the drain cover installation manual for installation of supports, and how to adjust supports and drain covers for height to match the tile surface (adjustment varies between models from $\frac{3}{16}$ in. low to 1 in. high).

34. The wedi Fundo® Linear Shower System is now ready for tiling as soon as the surface applied wedi® Joint Sealant is dry to the touch.

Important notes for preparing and completing a successful wedi Fundo® Linear shower installation

- Have 2 × 4 blocks installed on base plate between and flush with front of wall framing studs to best support wedi wall panel/shower base transition.
- Subfloor is stable and loadbearing, flat and level, and meets deflection criteria of maximum L/360 as per IRC. Wooden or concrete structural substrates are dry and sufficiently loadbearing considering live and dead load. Wood and Steel framing is sufficiently loadbearing, even, plumb, and square.
- Floor drain assembly below floor is stabilized, fixed and supported in position, and will not sink under water load. Waste pipe is level and plumb.
- Only wedi products (Building Panels, Curb, Joint Sealant and Fasteners) are used for wedi Fundo® Shower System assembly.
- Ensure that no fasteners are used and penetrate through any horizontal building panel or shower base surfaces in showers and immediate wet room applications. This includes tub decks, pony shower wall tops, curb tops made from building panels, seat tops. wedi panels in such areas are installed in a full surface applied thinset mortar setting bed.
- Where wedi® Building Panel or curb caps are installed over horizontal surfaces (seats, curbs, tubdeck transitions) do not set any fasteners and do not allow the glass door installation to penetrate the wedi panel as it is your waterproofing.
- Make sure that doors are installed tight to contain water inside the shower. Make sure doors are installed to only load bearing reinforced framing. Consider wedi® Shower Curb AT (Anchor Track) when planning to mount glass door/panel fixtures through the curb surface. Ensure not to anchor doors or glass panels through the sloped shower base floor but position the door/glass panel right at the beginning of the slope but anchored into the flat floor structure. Ensure proper waterproofing of anchor points.
- Where wedi® Building Panel is installed over corners of a structure showing an angle other than 90° please miter the board edges to gain adhesion surface. Use wedi sealing tape and wedi® Sealant 620 over angled connections which appear fragile and do not offer at least ½ inch wide adhesion surface between products.
- Seams in the assembly, which are 90 degree right angle exterior corners such as the top panel to wall panel seam in pony walls, are treated with these extra steps unless sealing tape is being used:
 - 1) Assembly parts are installed tight and offer a minimum of ½ in. wide continuous contact/adhesion surface between two parts, inside which wedi® Joint Sealant is continuously applied.
 - 2) wedi® Joint Sealant is applied over these seams topically, and 1 in. wide on both sides of the seam.
 - 3) wedi sealing tape is installed over these seams and covered with joint sealant 1 in. wide on both sides of the seam.

wedi Fundo® Shower System ▪ Tools needed for installation



- | | | |
|-----------------------------|--------------------------------|---|
| ▪ Inside Pipe Cutter | ▪ Solid Putty Knife | ▪ Respirator Mask (N95) |
| ▪ Caulk Gun | ▪ wedi® Corner Putty Knife | ▪ Safety Glasses |
| ▪ Screw gun w. Phillips bit | ▪ Flat Head Screwdriver | ▪ Ear Protection |
| ▪ Drill with Thinset Mixer | ▪ Saw Horse | ▪ Permanent Marker |
| ▪ Bucket | ▪ Level | ▪ Paper Towels |
| ▪ Handsaw | ▪ Tape Measure | ▪ Scissors |
| ▪ Circular Saw | ▪ ¼ in. square Notch Trowel | ▪ Shop vacuum cleaner |
| ▪ Utility Knife | ▪ Straight Edge/T Square 5 ft. | ▪ Extension Cord for Powertools (1524 mm) or longer |

i All fastener points are visibly covered with wedi® Joint Sealant. All protrusions (ie. plumbing fixtures) are sealed into the wedi assembly with wedi gaskets and sealant. All visible joints or seams in the installation are visibly covered and reinforced with wedi® Joint Sealant that is applied flat over the seams. Coverage of wedi® Joint Sealant over all seams should be at least 1 in. on either side of the seam. wedi® Joint Sealant should be no less than $\frac{1}{16}$ in. thick to ensure strength. Do not add mesh tape into the wedi® Joint Sealant; this may put the waterproofing performance at risk, and will not strengthen the sealant or system resistance against movement-related stresses. It is recommended to add wedi mesh tape over seams featuring outside corners (e.g. pony wall tops or curb deck transitions). The wedi mesh tape is applied over finished and topically sealed seams once these are dry to the touch. wedi joint sealant is then applied to cover the mesh. This method allows you to apply more sealant consistently over a transition where it is difficult to apply sufficiently thick sealant. The mesh functions here as a thickness gauge, but has no other function. Once wedi® Joint Sealant has been applied over all shower system seams, an optional water flood test may be performed in as little as 2 hours. Please ensure the sealant has cured sufficiently and has formed a skin, no longer pliable or sticky leaving sealant residue upon touch. The sealant is a moisture curing product that will react to cure very slow when applied in a location with low relative humidity in the air, and it will overreact and malfunction if exposed to too much water (i.e. flood test) too early. The flood test should not exceed 24 hours, nor should the water level exceed the height of the perimeter seams so that the fresh sealant may continue to a full cure without too much weight added during that process. wedi recommends testing the drain connection for a proper seal. While a full surface flood test is not required for non-absorbing products like wedi, it may be required by a building inspector. When tiling commences, no premixed (“mastic”) tile adhesives may be used over wedi systems in any wet area installation. When tiling the wedi Shower Bases, incl. extensions or ramps, tile thickness should generally be no less than $\frac{1}{8}$ in. Choose setting materials appropriate for the type of stone, ceramic, or glass tile, as well as for a wet area installation.

When tiling with a square tile size of 2 in. x 2 in. or more, install using a polymer modified cement based tile adhesive and grout. When tiling with a square size of less than 2 in. x 2 in., install using a polymer modified cement based tile adhesive and use a 100% solids epoxy grout. When tiling with a square size of 1 in. x 1 in. or less, install using a 100% solids epoxy tile adhesive and grout. Only non-flat bottom pebble stone installations, including small mosaics, may be installed using polymer modified cement based tile adhesive and grout if the mortar fully supports the tiles rounded undersides. All flat bottom pebble stone installations are subject to the general tile size based setting materials recommendation outlined above. When installing non-square tile, the length of the shortest tile edge(s) are considered as its square size for the purpose of determining the choice of the setting materials as outlined above. Moisture-sensitive tile and stone, including marble, are best protected when installed using solid epoxy tile adhesive and grout. It is recommended to verify with manufacturers of mesh mounted tile that the adhesive and mesh used to back the tile is appropriate for use in wet areas. It is important to achieve full transfer of the thinset mortar through the mesh to the back of the tile. A best practice we recommend is to remove the mesh when setting the tile.

All tile installations designed to receive heavier point loads (i.e. wheelchair use) must be grouted using 100% solids epoxy grout. Large-format tile may be installed over wedi Fundo® shower bases. Cuts may have to be made in consideration of the base's slope lines and so that the tile can always be fully supported by the tile adhesive setting bed, and the surface of the wedi base. Refer to TCNA guidelines for setting material coverage required by the tile being installed in the wet room application here. Use only cleaners and sealers free of acid or solvents on tile or grout installed over wedi product, and apply only in amounts needed to treat the surface materials without drenching the substrate. Follow the setting materials manufacturer's recommendations, and contact wedi with any questions, or regarding applications not covered here.



04 Building Panel Systems

wedi® Building Panels are made using the latest manufacturing technology and highest-quality material. They are waterproof, lightweight, easy and clean to cut, are incredibly strong, and bond well for use with any thinset mortar application. The wedi® Building Panel can be tiled with ceramic, glass, or stone in all sizes, from mosaic to large format tiles. Large and thin tiles especially benefit from the durability, and the exact, even surface wedi® Building Panels provide.



wedi® Building Panel – Shower Walls/Wet Areas and Floors

wedi® Building Panels can be applied to shower walls and wet areas horizontally or vertically. This allows more flexibility with your wedi panel installation. The panels are fastened quickly and easily in place using wedi screws & washers. The wedi® Building Panel combines a tile backer board and waterproofing into one step, providing a safe system installation. Once the panels are secured and seams and fasteners are sealed with wedi® Joint Sealant, tiling can begin immediately after the sealant is dry to the touch. This saves considerable time and money, when compared to traditional methods. Its solid waterproof core eliminates concerns like pinholes and voids, as well as delamination typically associated with alternative waterproofing products. The wedi® Building Panel has been successfully tested under ANSI 118.10 (test standard for load-bearing, bonded, waterproof membranes) as well as ASTM C578 (Standard Specification for Rigid, Cellular Polystyrene Insulation).



wedi® Building Panels are proudly produced in the USA.



wedi® Vapor 85

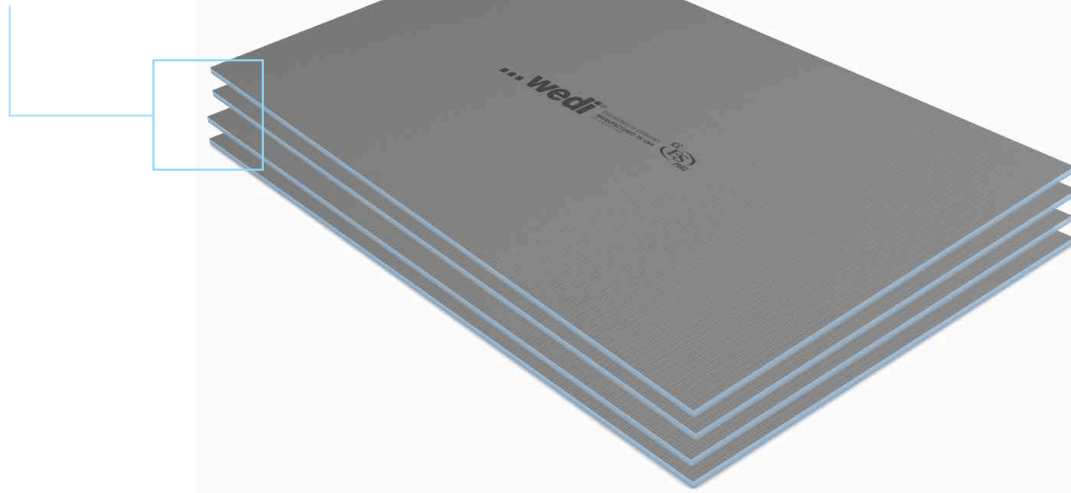
wedi® Vapor 85 is a tile backer board specifically made for use in steam showers/rooms. Its design is based on the wedi® Building Panel, featuring added vaporproofing capability that works for all water vapor exposure levels, including continuous use and commercial steam rooms. Once installed directly to the wall or ceiling framing studs, it is ready for tiling. When needed, it cuts easily and cleanly using a utility knife. The wedi® Vapor 85 panels are installed using wedi® Sealant 620, continuously applied in between panels. All panel seams and wedi fastener points are then treated with sealing tape or fastener patches and sealant 620 to ensure water and vapor-tight performance for the entire steam room.



wedi® Vapor 85 panels are proudly produced in the USA.

wedi® Building Panel Applications – The Ultimate Tile Backer Board

wedi high-load XPS foam is
100% waterproof



The wedi® Building Panel is a high-performance tile backer board that works on its own or within a shower system. wedi® Building Panels have a blue core made from extruded polystyrene: high-load rigid foam. The foam core is formed by a closed-cell matrix making the wedi® Building Panel internally waterproof, mold-proof, and insulating. Both sides of the wedi® Building Panel are covered with a specialized fiberglass mesh fully embedded in a cement resin coating that transfers fully through to the foam core. The specific combination of mesh and coating adds high tile backing strength capability and controls moisture absorption and spread on the surface, which is essential to maintain effective topical seals over assembly seams. The mesh reinforces the wedi® Building Panel and also provides a waffle pattern structure that thinset mortar can lock into. At the same time, the mesh and coating provide a flat, even surface ideal for tile. The high quality of raw materials, how they interact, and the manufacturing process wedi has developed and automated over the last 40 years produces a premium tile backer board like no other. The wedi® Building Panel installation steps and techniques are shown in great detail within our shower system installation manuals in this handbook. In addition, you can find more information about unique installations with wedi® Building Panels on www.wedicorp.com. We cover applications such as tub surrounds, general floors, floors with heating systems, countertops, and kitchen backsplashes, and building custom seats and benches on our website.



When comparing wedi® Building Panel to traditional cement board plus liquid waterproofing, the value is clear:

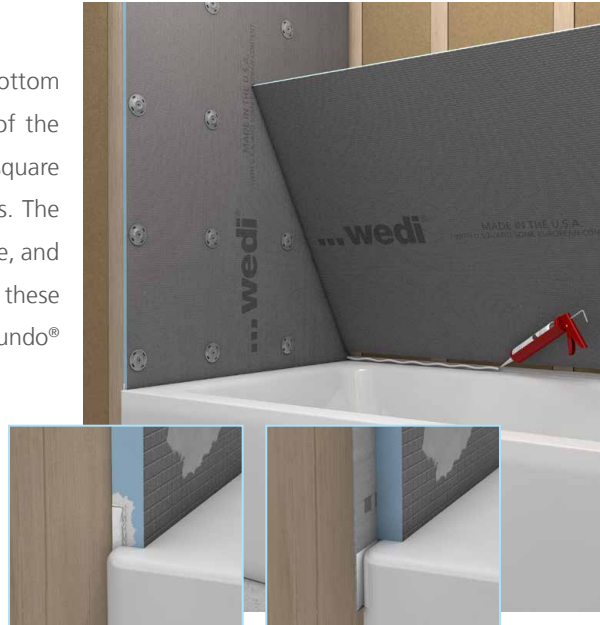
- wedi offers single-product installation versus multiple products and steps
- wedi offers one comprehensive warranty versus multiple manufacturer and labor warranties
- wedi dramatically reduces installation and labor time, curing times, and overall physical effort and mess

wedi® Building Panel in Tub and Shower Surrounds

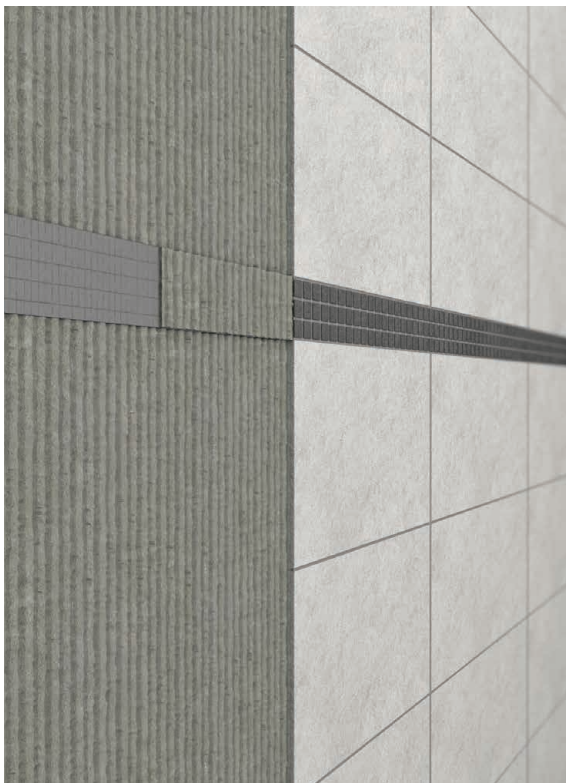
wedi® Building Panels are an integral system component in wedi Fundo® Shower System assemblies. wedi® Building Panels are also ideal for use as a tile backer board when installed over framed or solid wall structures, where it provides a waterproof and tileable wall surround in combination with a pre-made tub or shower base unit. wedi® Building Panels can offer special benefits in these installations. wedi® Building Panels can be installed directly to the edge of the tub unit with just a bead of wedi® Joint Sealant in between.

What's more, wedi® Building Panels can be notched out at the bottom back side to install over a nailing flange on one or more sides of the tub unit. With wedi® Building Panels, you can create plumb and square transitions from a wall backer board to a tub, especially in corners. The wedi® Building Panel does not wick up water traversing the tub edge, and it backs your wall tile right down to the edge of the tub. Besides these special options, the installation follows the same process as in wediFundo® shower system wall assemblies.

When installing wedi® Building Panel to tubs without the nailing flange, please use wedi tub sealing tape to waterproof and secure the transition seam at its backside.



wedi® 1/8 in. Building Panels under mosaic strips



wedi's 1/8 in. Building Panel can be used to perfectly install mosaic accent strips into a large-format wall tile assembly. This helps avoid excessive mortar build-up and leveling when trying to evenly align the field tile with the thinner mosaic tile strip. The strips of wedi® Building Panel could even be pre-tiled in the shop and simply adhered into the wall assembly on-site using thinset mortar applied to the back of the strip only.

Visit www.wedicorp.com to learn more about other applications where wedi® Building Panels can add value:

- On floors, with or without floor warming systems.
- On countertops and backsplashes.
- On tub decks.
- On seat and bench structures, even built completely from wedi® Building Panels.
- In suspended ceilings .



wedi® Vapor 85 for Steam Rooms and Steam Showers

wedi® Vapor 85 is a special variant of the wedi® Building Panel and is designed for installation in steam showers and steam rooms. It will serve as a strong vapor barrier, far exceeding the minimum requirements set by the Tile Council of North America (TCNA) for vapor barrier used in continuous use steam rooms. Additionally, it offers all the benefits of the traditional, time tested wedi® Building Panel: it is light, yet strong; it adds insulation and provides great bond for tile and other suitable surface finishes; it is a component of a fully functioning system which was developed to also vapor-proof seams, and fastener penetrations. The wedi® Vapor 85 makes best use of wedi system technology taken from the wedi® Building Panel, wedi® Subliner Dry, wedi® Subliner Dry Sealing Tape, and wedi® Joint Sealants. Additionally, it works great with wedi Fundo® or Subliner Dry on steam room floors.

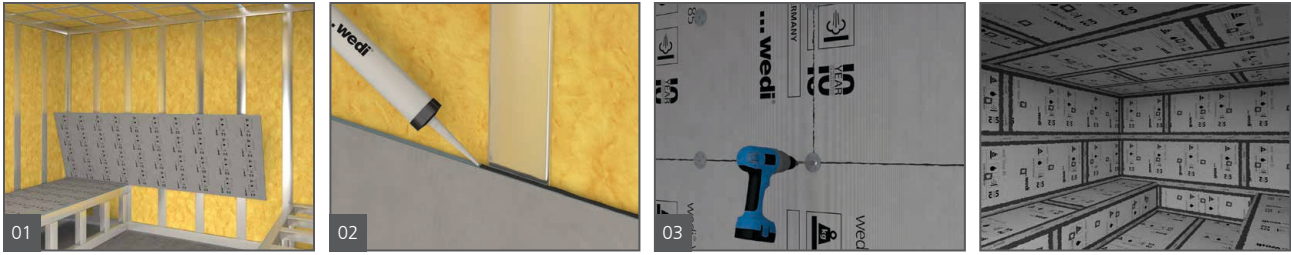


Below you'll find a list of items to create your own wedi Steam Room!

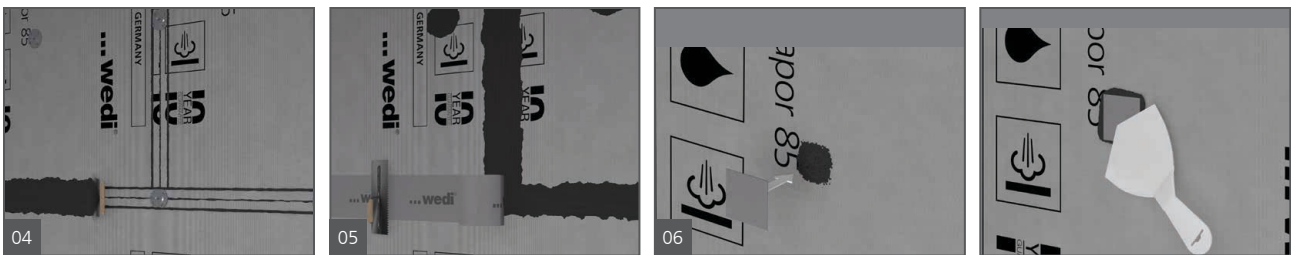
- wedi Fundo® Shower Base
- wedi Vapor 85 Building Panel
- wedi Sealant 620
- wedi Tabless Washer and Fastener Kit
- wedi Vapor 85 Fastener Patch Kit
- wedi Corner Putty Knife
- wedi Subliner Dry Inside Corner
- wedi Subliner Dry Outside Corner
- wedi Subliner Dry Sealing Tape

wedi® Vapor 85 Building Panel for Steam Room Applications Installation Guide

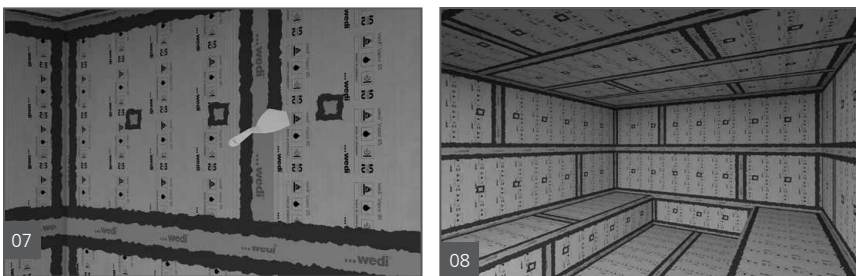
Steam Rooms typically have added challenges and need additional water and vapor-proofing. You can use our wedi® Vapor 85 Building Panels which have a slightly different installation technique. Here are all the installation steps in detail.



1. Ensure all framing and structures meet applicable wedi general requirements, building code and industry standards. Attach Vapor 85 panels to wall horizontally, and start the fasteners 1 ft. above shower floor and continue at a rate of one fastener every 12 inches. Use wedi's flat washers (ones without tabs) and screws. On solid or wedi built bench constructions (1 ½ in. to 2 in. wedi Panels) install wedi® Vapor 85 panels in well distributed ½ in. beads of wedi® Sealant 620 spread with a space of 6 in. between beads. If the construction is not entirely smooth, use a full thinset mortar bed to attach using a ¼ in. x ¼ in. trowel.
2. All panels are butted tightly with wedi® Sealant 620 continuously applied between all contact seams. Excess sealant is spread flat with a putty knife.
3. Use only wedi's flat washers so the membrane is not twisted upon tightening the washer. On ceilings, set wedi fasteners at a rate of one per every 6 in. of framing. In addition, apply a continuous ½ in. bead of wedi® Sealant 620 on every stud before attaching the panel. Ceilings should be sloped at a rate of 2 inches per every 12 inches so that condensation can run off without dripping.



4. Apply several beads of wedi® Sealant 620 as a setting and sealing bed for wedi sealing tape. Spread the sealant with a fine tooth adhesive trowel or flat putty knife to achieve a full coverage sealant bed for the sealing tape. The minimum thickness of the sealant bed should be 1/16 in.
5. The tape is centered over the seams and pressed flat into the sealant. Make sure to use a flat putty knife or paint roller to work the sealing tape flat over the seam and remove all air bubbles or any other unevenness. Excess sealant is spread flat. Sealing tape inside and outside corners, as well as collars for valves or other protrusions, are available. Cover all fastener and washer points with wedi® Sealant 620 covering an area of 3 in. x 3 in. with the washers screw at its center.
6. Embed a sealing tape patch with a size of 3 in. x 3 in. into the bed of wedi® Sealant 620 from Step 5 and press flat using a putty knife.

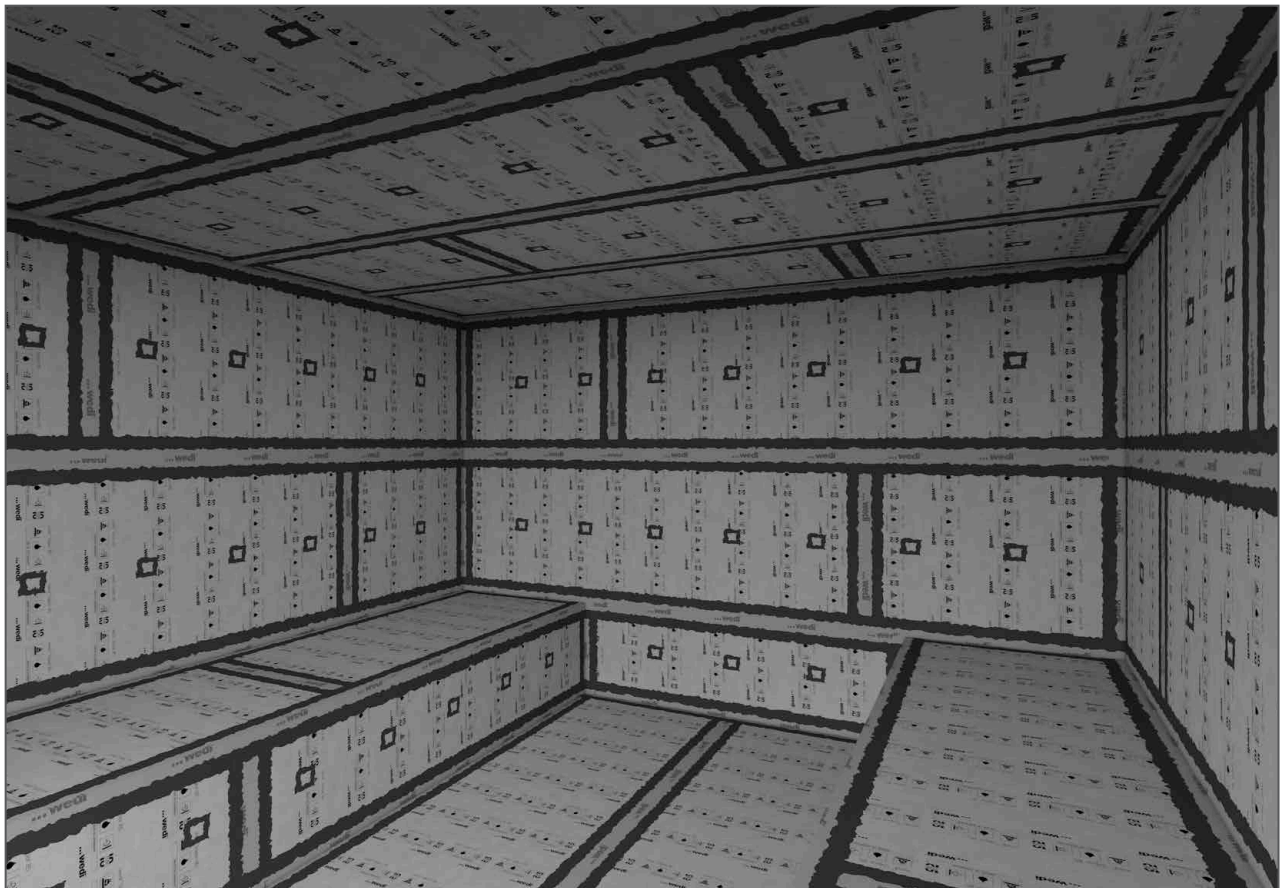


7. Use wedi® Sealant 620 and wedi® Subliner sealing tape and sealing collars to seal around protrusions and penetrations of the Vapor 85 using the same method as for applying tape and fastener point covers. If you can't

clearly see Sealant 620 past the perimeter of 5 in. tape once it is embedded in all areas of the application, a bead of Sealant 620 will be needed on the 5 in. tape seam, flattened to a minimum of 1 in. past each side of the tape seam. When using Vapor 85 systems, plan for using approximately 2.5 ounces of wedi® Sealant 620 per every 1 foot of taped seam in the assembly (includes installation of fastener patches in board areas) The steam inlet pipe needs to be heat insulated where it enters into the steam room through the wedi Vapor 85 panel. The wedi® Vapor 85 panel can withstand up to 165 degrees of heat contact exposure. The entire protrusion needs to be sealed and covered as described above.

8. Allow the wedi® Sealant 620 to cure for at least 24 hours prior to setting tile and 96 hours after its application before exposing the tiled installation to water and water vapor. On floor areas, consider wedi Fundo® Shower Systems or Subliner Dry sheet waterproofing membrane when working over mortar or screed surfaces (install in accordance to Subliner Dry installation manual using wedi® Sealant 620 in overlapping sheet – or Subliner Dry tape covered seam connections).
9. When setting tile over wedi® Vapor 85, please choose appropriate setting material and tile for use in steam rooms and steam showers. We recommend not to use natural stone tile or slab. We recommend to use porcelain tile with low water absorption potential (as classified in ANSI 137.1). We recommend the use of solid epoxy setting mortar and grout (as per ANSI 118.3). Please note that tile application over wedi® Vapor 85 panels is limited to a combined load and weight of tile and setting materials of up to 14 lb per square foot on walls, and up to 10 lb per square foot on ceilings.

Please contact wedi for the full Steam Room and Shower Technical Report



These wedi design elements are available in various shapes and offer innumerable style and functional design options. The range of wedi prefabricated modules includes options for benches, shower niches, curbs, and ramps. For wellness and spa wet areas, wedi offers loungers and benches with optional head and armrests.



wedi Sanoasa® Shower Benches 1-4

wedi Sanoasa® benches are constructed to allow unmatched freedom of visual design. Both the seating areas and the carrier elements can be positioned in various ways, and their shapes and sizes can be modified for any project.



wedi Prefabricated Shower Seats and Benches

wedi's prefabricated shower seats and benches are much easier and faster to install than metal tray or concrete seats. They also bond well to thinset mortar and are 100% waterproof due to the extruded polystyrene closed-cell foam core. They will not cause efflorescence, discolorations, or waterproofing issues frequently observed with products requiring mortar fills. wedi's prefabricated suspended corner seats do not require additional blocking installed in the framing, and the mounting brackets and their fastening points are hidden from water exposure and are fastened into existing wall studs. wedi's prefabricated suspended corner seats carry up to 350 lbs of weight once installed. All wedi seats are pre-sloped on the surface except for the suspended seats.

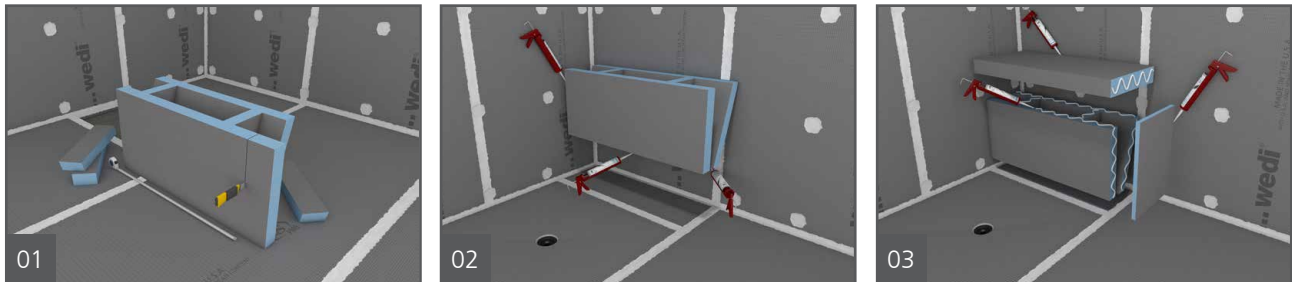


wedi Sanoasa® Wellness Benches and Loungers

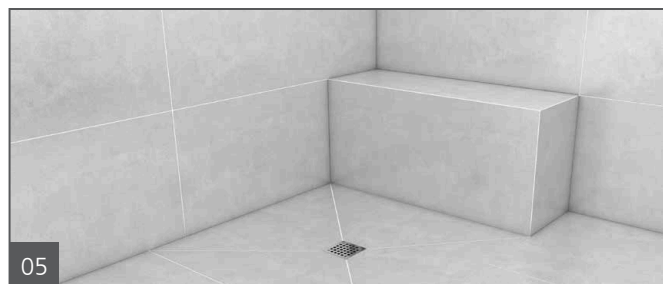
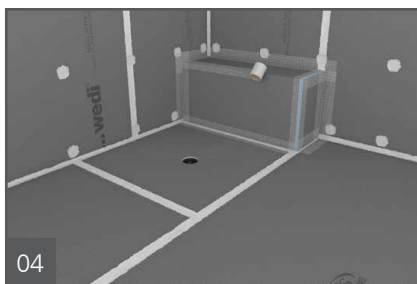
wedi takes rejuvenation and relaxation to a whole new level in the bathroom. wedi's unique, elegant wellness elements create an unforgettable spa experience. There is no limit to the design possibilities wedi offers for a customized and peaceful bath. We offer standard and customized options for benches and loungers, and more modular designs such as for sinks or tubs.

How to install wedi Sanoasa® Benches 1-3

wedi Sanoasa® Benches 1-3 offer design solutions for smaller shower spaces and can be installed into newly built showers or as retrofits. They fit right in with wedi Shower Systems and may work in conventional shower systems as well. The benches come in two parts, the top/seat and bench support. You'll find wedi® Joint Sealant already included in the box and there are additionally optional accessories in the kit to allow for any sort of special situations you may run into in a project. There are three models that are available. The difference between models are the front finish and bench top which are: quarter round, square, or slanted finish options. Each model can be installed with its top sections front smoothly aligned with the bench supports front, or have it overhanging the bench support.



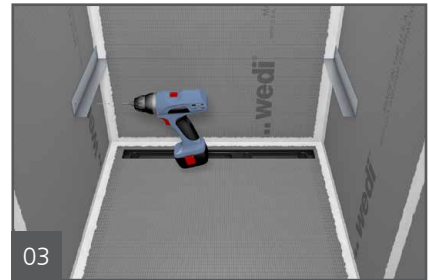
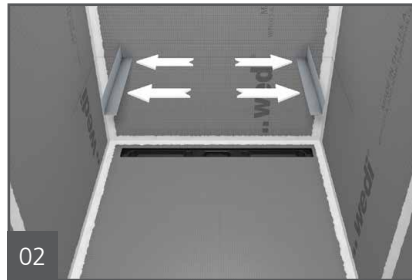
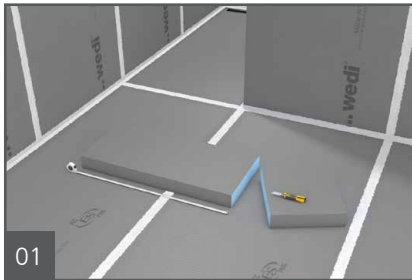
1. Cut the bench support and seat to length using a knife, handsaw or circular saw.
2. Dry-fit the bench. On the bench locations that have direct and full contact with the wall and (sloped) floor, you'll want to apply joint sealant in a continuous ½ in. thick bead. Ensure the bead is applied in a zigzag fashion to ensure good distribution of sealant for great contact and adhesion everywhere. In locations where there is no full contact surface available due to the slope in the floor, use thinset mortar instead of wedi® Joint Sealant and backfill such gaps if no greater than ¼ in. If a gap is greater than ½ in. (cut the bench supports to match the shape of the floor. Ensure that structure is kept tight in position until sealant or thinset mortar have initially set. Ensure the wall/floor substrate is appropriate for the wedi joint sealant or thinset mortar to work (e.g. use primer when installing over existing tile surfaces when retrofitting a bench)
3. The bench support and top are connected with continuous ½ in. beads of wedi® Joint Sealant. Firmly press parts together and against the sealant or thinset adhesive as described in step 2. The seat is pre-pitched by wedi so water can run off towards the drain later. The Sanoasa kit comes with ¼ in. wedi® Building Panel, which you can use to close off an open side of the bench. Install these panels with wedi® Joint Sealant. Cut the panels with a knife to adjust their shape to that of the bench.



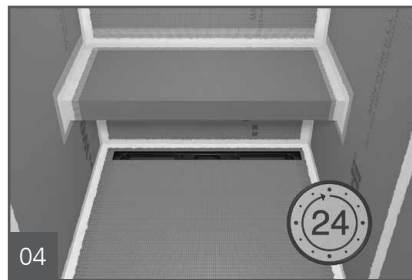
4. Apply ½ in. beads of wedi® Joint Sealant continuously over every seam and transition area. Use a putty knife to smooth the sealant so it covers 1 in. of the wedi product on either side of a seam or transition. However, thinset mortar filled seams are not sealed over but require a wedi mesh tape placed over the seam when tiling commences.
5. Start tiling immediately once sealant and thin set tile adhesive is dry to the touch.

How to install wedi Sanoasa® Bench 4

The Sanoasa 4 is a suspended bench that allows a design creating more space in any shower while adding suspended seating comfort and can carry up to 500 lbs of weight across once it is tiled. The Sanoasa 4 is 3 1/8 in. thick and 47 1/4 in. long. The bench comes pre-sloped on its surfaces so water can safely run off to the front of the seat where it can move towards the shower drain instead of causing puddles on the bench tiles. The Sanoasa 4 can be cut to a shorter length and made-to-fit between three shower walls where the bench connects. This bench is ideal for installation prior to tiling but can also be installed over existing tiled walls. In the latter case, there is a risk the waterproofing of the walls may be damaged by the Sanoasa fasteners which are difficult to seal like in most retrofit installations where fasteners penetrate through tile and waterproofing below the tile. This bench can carry up to 500 lbs. of load on its surface once tiled without creating a risk for cracks in grout or tile. The larger and thicker the tile and stone, the more it adds to stiffness and load capability of this bench. A minimum tile size of 4 inches should be used and tile should be a minimum of 1/4 in. thick.



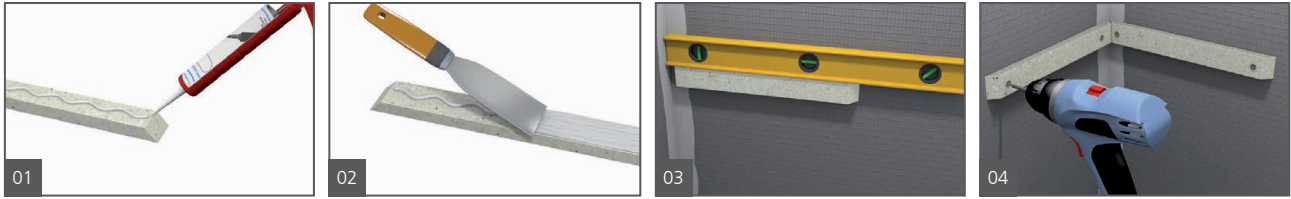
1. Cut and dry-fit the bench into the three-wall opening in the shower. Dry-fit with the two L-shaped steel profiles loosely fitted onto the sides of the bench. Mark the outline of the bench where it will connect to the walls so you can see later where to apply wedi® Joint Sealant.
2. Determine installation height and apply wedi® Joint Sealant widely over the wallboard area where the steel profiles will be installed. Press the steel profiles into position.
3. Install steel profiles in a level position. Apply wedi fasteners through the steel profiles and wallboards into framing spaced 16 in. o.c. apart.



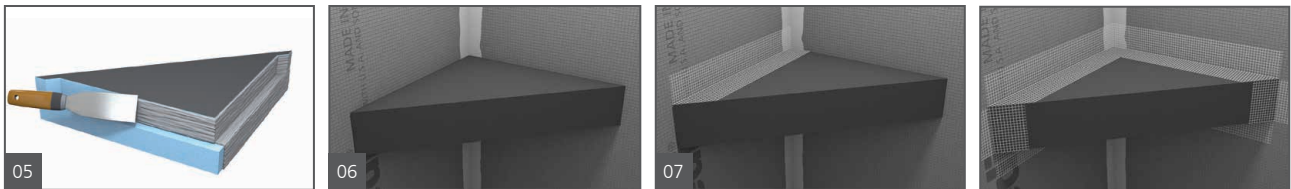
4. Apply wedi® Joint Sealant widely to all areas connected with the bench (all three walls and to both steel bracket surfaces). Insert the bench and press into the bed of sealant. Ensure the bench will stay in a tight position to allow the sealant to bond. Apply a 1/2 in. bead of sealant over and along all transition seams between wall and bench including on the underside of the bench. Finally, apply wedi mesh tape on all such seams. The mesh tape is later covered with thinset mortar. Allow wedi® Joint Sealant 24 hours to cure. Please note that the untiled bench still offers some flexibility when weight or force is applied, but sufficiently stiffens once it is tiled.
5. After 24 hours, tiling can commence to include the underside of the bench.

How to install suspended wedi® Shower Seats M and L

Below you can see the installation of wedi's prefabricated triangle seats. They are designed to withstand a weight of up to 350 lbs. centered on the seat.



1. Apply wedi® Joint Sealant to the side of the mounting bracket that will be attached to the wedi® Building Panel wall.
2. Evenly distribute wedi Joint Sealant with a putty knife until the whole contact area is covered.
3. Mount the brackets through the wedi® Building Panel wall into the solid 2 × 4 wooden framework. Ensure the brackets are in level position.
4. Using a putty knife, apply wedi® Joint Sealant to the blue foam edges of the seat that will contact the wedi® Building Panel wall and brackets.

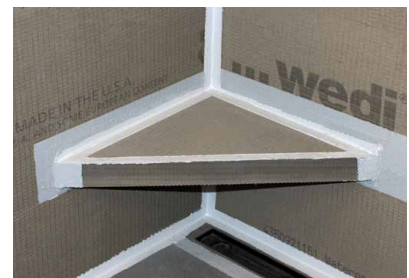


5. Press the seat element into position and apply a weight (i.e., tile box) so the sealant can set under bond pressure.
6. Apply a ½ in. bead of wedi® Joint Sealant over the transition seams between seat and wall on top side, underside, and side, and spread flat using a putty knife so it covers 1 in.) of wall or seat surface on either side of the seam. Once wedi® Joint Sealant has dried to the touch, install wedi mesh tape over all topside transitions to the wall and cover with thinset mortar.
7. Tiling can start immediately.

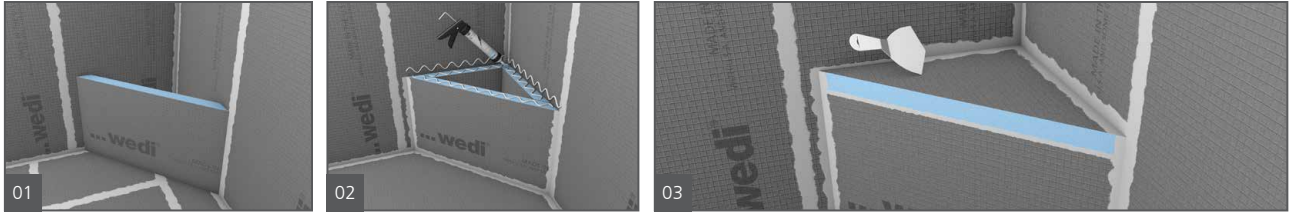


How to install a field-fabricated suspended shower seat

Triangles made from wedi 2 in. Building Panel may be used to construct and install tile-ready suspended corner seats. The wedi® Building Panels may be single sheets or doubled up to 4 inches or more by adhering to several triangle cut wedi 2 in. Building Panels using full contact application a minimum ¼ in. × ¼ in. square troweled bed of modified thinset mortar or wedi® Joint Sealant equally applied to the surface in ½ in. thick beads. The triangle seats are then sealed and adhered against wedi® Building Panels on walls using wedi® Joint Sealant applied in ½ in. ch beads equally distributed over the contact surface. The seats should be pressed into position and kept under compression against the walls for at least 20 minutes. More joint sealant is then applied in ½ in. beads over all seams top and bottom of the seat and troweled flat using a wedi® Corner Putty Knife. Allow the Joint Sealant to cure for 24 hours before applying wedi mesh tape over these seams and cover them with thinset mortar. Tiling may begin. Note that the maximum seat size in this shape is limited to 18 in. seat length at both connecting (90° corner) walls. Such field constructed seats are approved for a combined live and dead load/weight of up to 250 lbs. centered on the seat. A slight 1% water run off slope should be constructed on the seat surface through the tile application. Compare to wedi's prefabricated suspended seats M and L- these offer pre-sloped seat surfaces and can carry much higher loads.



How to install field fabricated seats and benches



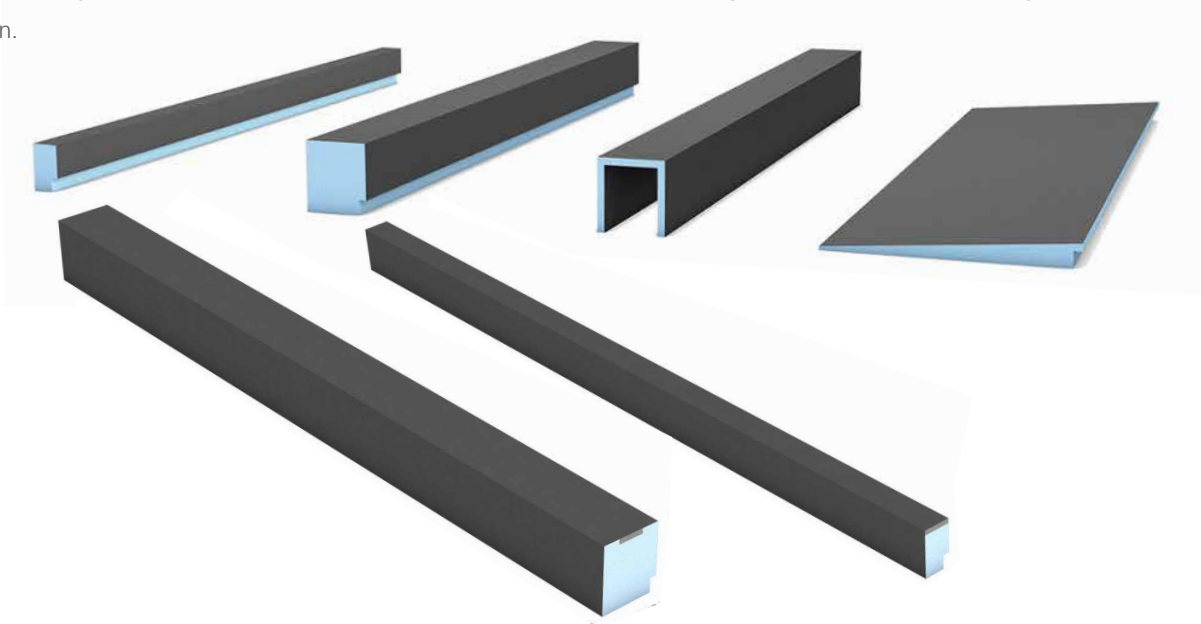
1. Measure and cut the bench pieces off a wedi 1½ in. or 2 in. thick wedi® Building Panel and dry-fit. When installing a corner seat, the panel edges are mitered for a tight fit. To achieve a slope, the parts' upper ends are cut down with a slight angle towards the front of the bench. Optionally, create a pitch using wedi® Joint Sealant as a “wet shim”.
2. The wedi parts are adhered to the wall using thinset mortar or wedi Joint Sealant. Adjoining parts are glued together using wedi® Joint Sealant continuously applied along all-foam edges of a panel.
3. Excess is spread flat over the seams using a putty knife. Where the backs of the parts meet the wedi wall, modified thinset mortar is used in a full-contact surface bed. Once the bench is built, a final bead of wedi® Joint Sealant is applied to seal all seams to the wedi wall safely. The vertical front part of the bench will show a small gap to the pitched floor. Fill gaps larger than 3/16 in. with thinset with thinset mortar and apply alkali-resistant mesh tape by wedi over these seams. Smaller gaps can be filled and sealed with wedi® Joint Sealant. Alternatively, benches and seats are offered as prefabricated units made by wedi. For longer or larger benches built from our 2 in. building panel, always install one spacer/support made of wedi 2 in. Building Panel every 18 in. in either direction. Over the blue exposed foam edges, adhere a wedi® Building Panel strip to the foam using wedi® Joint Sealant. This will create a cement-based surface to adhere tile to it. Optionally, the blue foam may be covered with wedi® Joint Sealant. The covering of the blue foam areas is not necessary where tile is used that will overlap and cover the blue area with no more than 50% of its size. Such larger tile is thinset adhered to the seat, including the foam surface. The maximum weight allowance on seats or benches built with vertical supports placed every 18 in. o.c. is 500 lbs.

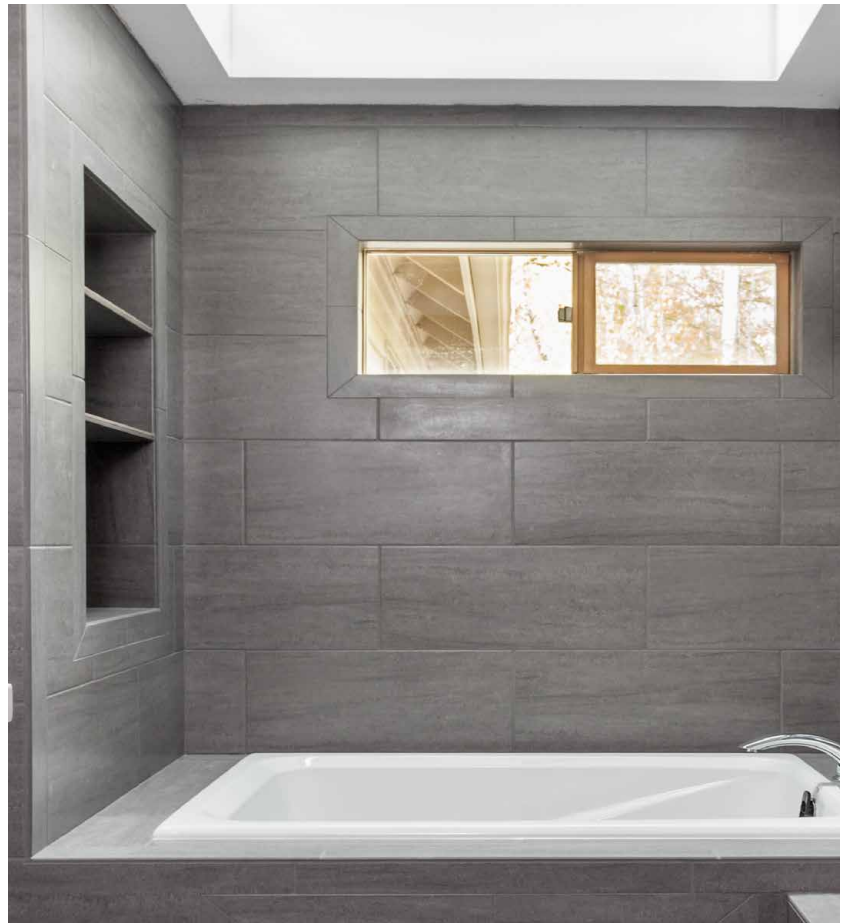




Curbs and Ramps

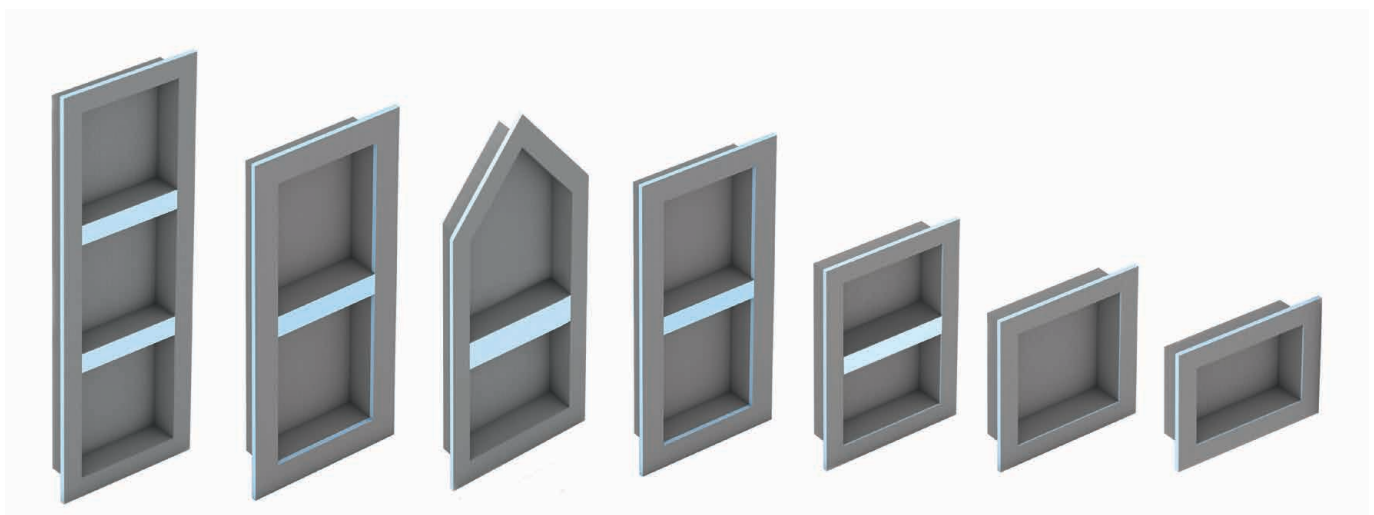
wedi curbs and ramps are available in several options for shower entry designs where transitions are required, and can be installed with wedi Fundo® shower bases as well as conventional mortar bed systems. Waterproof and versatile, wedi curbs and ramps may be tiled before glass doors, panels, or blocks are installed. Epoxy glue is recommended instead of screw fasteners when installing into wedi's solid foam curbs. Optionally, you can also use our wedi® Shower Curb AT (with integrated Anchor Track (AT)) where fastening is required. All wedi curb options except wedi® Curb Caps, which work in combination with 2 x 4 framing support, are slightly sloped to direct water towards the drain of the shower. All wedi curbs can carry a weight of 280 lbs./ft. When using the wedi® Shower Ramp instead of a curb, please note its design is ADA compliant featuring a slope of 1 ½ in. to ¼ in.



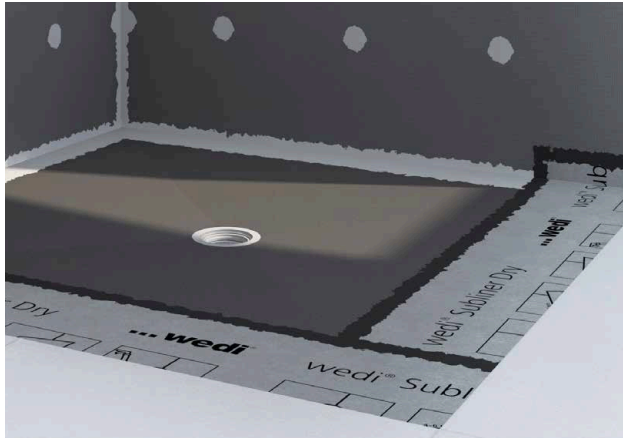


wedi® Shower Niches

wedi prefabricated shower niches are made from wedi ½ in. wedi® Building Panels for strength, and come in a variety of different size options to fit every shower necessity. wedi® Shower Niches install quickly, safely, and integrate flush into the wall panel assembly with wedi fasteners and wedi® Joint Sealant. Shelves, included in some models, are optional and may be installed exactly where they best fit the design.

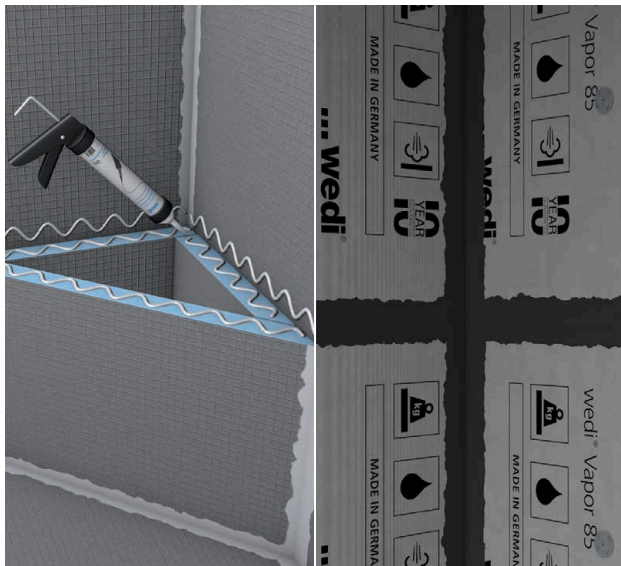


The versatile range of wedi accessories offers practical system aids for sealing, bonding, and installation. From the tried and true wedi® Joint Sealant to the fleece-backed sealing membranes and corners for all connections and joints in the shower; quick installation, high quality, and safety are guaranteed.



wedi® Subliner Dry

The wedi products within the group of subliner dry systems offer specific benefits in installations and applications complementing our traditional wedi® Building Panel and Shower Systems. Subliner systems are sheet membrane products, each designed to provide sound and thin profile underlayments for tile. Each system component provides water and vaporproofing as needed over ordinary cement or fiber-cement backer boards or mortar beds, or other comparable and suitable traditional structures for tiled applications in wet rooms. Subliner Dry Sheet Waterproofing Membrane and its accessories and components are sealed and connected with 2 inch-wide membrane overlaps. In-between, wedi® Sealant 620, a specialty sealant, is used to water- and vaporproof these connections.



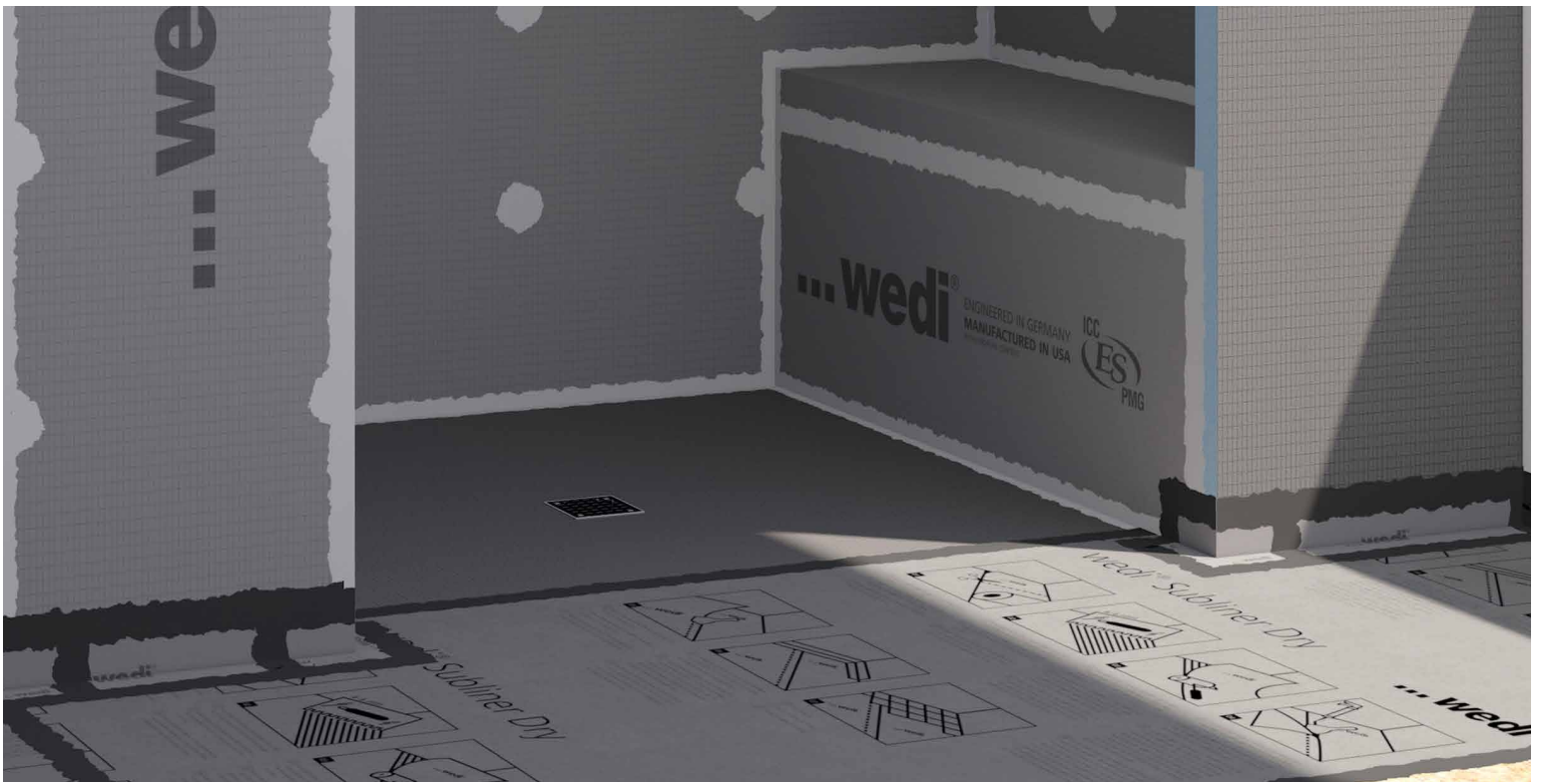
wedi® Fastener Kits, Systems and Installation Tools

Safe fastening systems must be up to the task in a wedi® Building Panel wall or floor application. The washer and screw combination fasteners provide protection from movement and stresses in underlying structures as they can move independently. The strength, length, diameters, gauge, and quality of material we use make our fastening system a reliable part of our modular system approach. When appropriately placed in a wedi wall assembly, their load-bearing capability and pull-through resistance exceed the weight and loads that could physically be installed over a wedi® Building Panel, such as a ¾ in. natural stone slab. The wedi installation tools, such as the wedi® Corner Putty Knife and wedi® Sealant Gun are the perfect addition to all projects.

wedi® Joint Sealant and wedi® Sealant 620

wedi® Joint Sealant is indispensable in regular wedi shower assemblies to seal and reinforce seams and connections, and waterproof fastener points. No additional taping is needed! It is a flexible sealant and construction adhesive that creates strong connections between wedi assembly parts without extra tape reinforcement—typically used for standard wedi shower installations.

wedi® Sealant 620 is essential in combination with wedi® Vapor 85 and wedi® Subliner Dry. It is a flexible sealant that offers vapor-tight performance. It is used with a wedi sealing tape and wedi® Subliner Dry to create strong connections in wedi assemblies, typically used for wedi® Vapor 85 steam shower installations.



wedi® Subliner Dry Sheet Waterproofing Membrane System

The wedi® Subliner Dry System includes the Subliner Dry Sheet Membrane, Sealing Tape, Prefabricated Outside and Inside Corner Tapes, and various Sealing Collars that waterproof entire structures, especially in shower and steam room construction. wedi® Subliner Dry is well suited for sealing measures over the pre-existing wall or floor underlayment, including drywall. Use Subliner Dry in combination with ceramic tiles, slabs, and natural cast tiles for indoor wall and floor areas. It has strong performance in steam showers and rooms due to its unique Vapor Resistance rating of 0.09 WVTR/Perms as tested using ASTM E96; method E.

Subliner Dry is a strong yet very pliable membrane. Installation steps, measuring, and cutting lines are printed on its surface. The Subliner Dry System includes many accessories, including wedi® Sealant 620 to achieve waterproof and vaporproof seams in the installation. Using wedi® Sealant 620 between sheet membrane seams is similar to the traditional technique of applying thinset mortar between sheets; but where taped and mortared seams will allow water to absorb and pass through it, seams sealed with wedi® Sealant 620 are 100% waterproof and vaporproof.

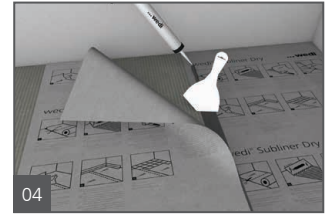
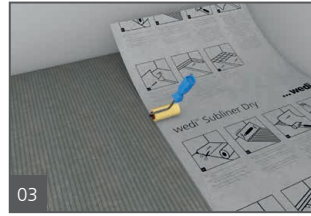
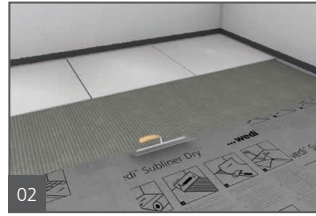
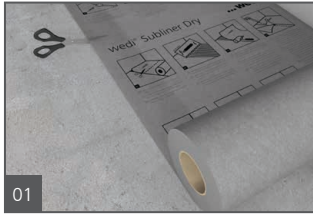


wedi also has special sealing tape options available, such as tub sealing tape. wedi® Tub Sealing Tape is equipped with a butyl-based adhesive strip which attaches to a plastic tub unit's outside perimeter edge before it is attached to blocking installed horizontally between framing studs. Here it creates a waterproofing back-up to a tub's traditional surround wall backers, which are prone to separate and leak at the transition from tub to wall.

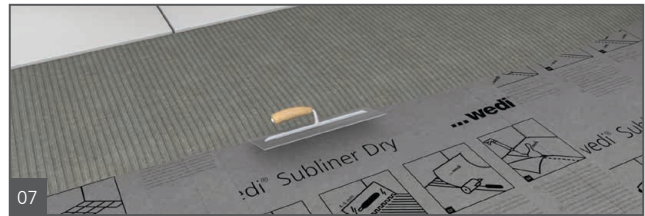
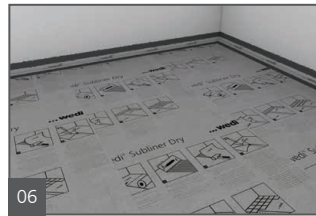
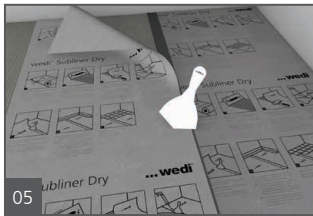


wedi® Subliner Dry

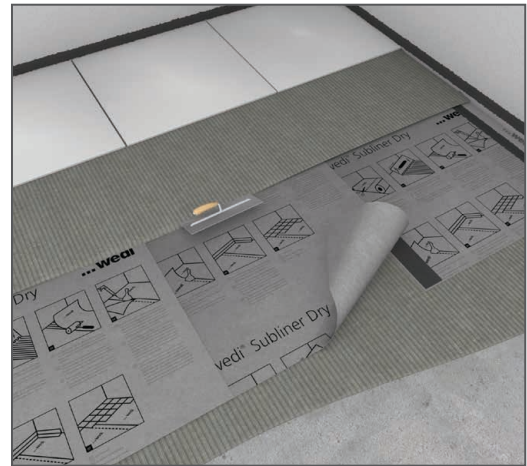
Installation on Floors or other suitable, non-waterproof underlayments or substrates



1. Lay out wedi® Subliner Dry and cut to size using a knife or scissors.
2. Apply thinset mortar to the prepared subfloor using a 1/8 in. x 1/8 in. or 1/4 in. x 1/4 in. notch trowel.
3. Insert wedi® Subliner Dry with the printed side facing upward and press on with a rubber grout float. Remove air pockets and other foreign particles from below the sheets.
4. The sheets must overlap 2 in. at joints and transitions. Leave these overlapping areas free of any thinset and use tape to keep them folded upward and clean. Once the thinset has cured, apply wedi® Sealant 620 as a full bed onto the lower mats seam connection area and press the top overlap flat into the wedi® Sealant 620. If you cannot clearly see the wedi® Sealant 620 spread past the Subliner Dry overlap, a second bead should be applied on the seam, flattened to a minimum of 1 in. past each side of the seam.



5. Spread the wedi® Sealant 620 flat using a putty knife. Cross joints should be avoided.
6. In complete wet rooms, wedi recommends to flash Subliner Dry up the wall by 2 in. where it is still invisible behind baseboard tile or wood applications.
7. Start setting tile once wedi® Sealant 620 has been allowed to cure for 24-hours. Exposure to water is possible after 48-hours providing that the wedi® Sealant 620 is dry to the touch. wedi® Sealant 620 is moisture curing and may require extended cure times in dry and cold climate or when installed below epoxy setting materials or larger format, dense tiles.





wedi® Fastener Kits

In wedi system assemblies, every part, detail, and component is designed to offer no weak links, and to interact with all other assembly components in a predictable manner. The thick gauge of our washers guarantees that the wedi® Building Panels



remain attached to the framing as firmly as heavy tile and stone remains attached to the building panel surface. The gauge of our screws and washers ensures that the wedi® Building Panel remains firmly attached to the framing even with heavy tile or stone adhered to it. The wedi washers absorb and distribute much of the weight of the tile installation and away from the wedi screws. The gauge, length, and design of wedi screws also ensure they do not easily break under load or when framing moves. For metal framing heavier than 20 gauge, we offer self-tapping screws.



In the average wedi shower installation you will need one fastener (tab washer with screw) per square foot of wall area to be covered with wedi® Building Panel. On a shower ceiling you will need to double that amount.

In a floor installation over a wooden subfloor you will need one fastener (flat washer with screw) per square foot floor surface covered with wedi® Building Panel.



wedi® Joint Sealant

wedi® Joint Sealant is a product designed by wedi to meet our shower system performance needs. wedi® Joint Sealant is a flexible sealant and construction adhesive that creates strong connections between wedi assembly parts without additional tape reinforcement—used for standard wedi shower installations with the wedi Fundo® Shower Base, wedi Fundo® Curbless Shower Base, and wedi Fundo® Linear Shower Base.

wedi® Joint Sealant is indispensable in regular wedi shower assemblies to adhere, seal and reinforce seams and connections, and waterproof fastener points. No additional taping is needed! wedi® Joint Sealant is a single component Silyl Modified Polymer (SMP) for use in wedi product system installations as specified in installation manuals. The product is specially-formulated for high green strength (high immediate internal strength), adhesion in wet and alkaline environments, and permanent flexibility. The product forms strong connections between wedi components and provides watertight seals on and in joints and seams, and allows for dissipation of stress caused by shock, vibration, or thermal movement. It is used to waterproof, connect, and reinforce seams or fastener points. For an average wedi shower installation, you'll need to plan for approximately 1.2 oz. per square foot of wall panel surface in your shower.



wedi® Sealant 620

wedi® Sealant 620 is based on the same basic design as the wedi® Joint Sealant but is modified to perform best in steam showers due to its vapor resistant fit with wedi's Vapor 85 and Subliner Dry surfaces. wedi® Sealant 620 is a flexible sealant offering vapor-tight performance. Darker in color and thinner in viscosity than wedi® Joint Sealant, wedi® Sealant 620 sinks deeply into fabric membranes. It is used with a wedi sealing tape to create strong connections in Subliner Dry sheet waterproofing and Vapor 85 assemblies. It is used for wedi® Vapor 85 steam shower installations. They are installed using the wedi® Sealant 620 between assembly components. Use to waterproof and affix wedi sealing tape over seams and fastener points. For use with all wedi® Subliner Dry products (includes wedi inside/outside corner sealing tape, wedi waterproof sealing tape, wedi® Vapor 85 patch kit for fastener locations, and wedi® Subliner Dry mats for seams and overlaps.

Note: Thinsert mortar is also used in the installation of wedi® Subliner Dry. See installation instructions for more information.

wedi® Sealant 620 is indispensable in combination with wedi® Vapor 85 and wedi® Subliner Dry. wedi® Sealant 620, unlike wedi joint sealant, is not a standalone construction adhesive. Where wedi® Sealant 620 is used to adhere, connect, and seal assembly parts, it needs to be used in combination with wedi® Subliner Dry sealing tape reinforcing all seams and joints. In a wedi 620 installation project with wedi® Subliner Dry waterproofing membrane you need one 2.5 oz per every one linear foot of wedi sealing tape or Subliner Dry overlap seam coverage in a Vapor 85 (includes fastener points treatment) or Subliner Dry assembly.



i Despite containing no solvents, sealants do emit a chemical smell during the initial application and curing time. Some persons may be sensitive towards the smell and ventilation is recommended. Please consult wedi's Safety Data Sheet available on wedicorp.com.

07 Premium Finishing Options

wedi® Point and Linear Drain Covers

All wedi drain covers are made from solid, durable American-made stainless steel with high quality finishes that resist physical and chemical exposure challenges commonly found in wet rooms installations. For a more custom look, you can choose a tileable drain cover that can be tiled with epoxy glue/adhesive or wedi® Joint Sealant

Point drain covers fit with both wedi Fundo® Shower Bases and wedi Fundo® Curbless Shower Bases. Linear drain covers fit with wedi Fundo® Linear Shower Bases or wedi Fundo® Linear Shower Modules. All linear drain covers are offered in 2 sizes to fit with the 2 different sizes of linear drain channels. Linear channel frames can be used in addition to a linear drain cover. Installation steps can be found within the Fundo Shower Systems manuals.



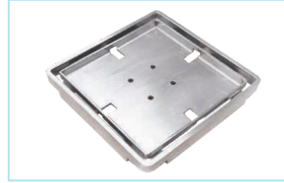
wedi® Drain Cover
Stainless Steel

Drain type: point
Metal type: stainless steel 304
Coating: no coating
Finish type: brushed
Size: 3 ¾ x 3 ¾ x ¼ in.



wedi® Drain Cover
Chrome Slotted

Drain type: point
Metal type: stainless steel 304
Coating: chrome
Finish type: lightly brushed/buffed
Size: 3 ¾ x 3 ¾ x ¼ in.



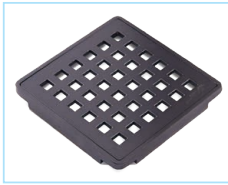
wedi® Drain Cover
Tileable 1/4

Drain type: point
Metal type: stainless steel 304
Finish type: brushed
Size: 3 ¾ x 3 ¾ x ¼ in.



wedi® Drain Cover
Tileable 3/8

Drain type: point
Metal type: stainless steel 304
Finish type: brushed
Size: 3 ¾ x 3 ¾ x ⅜ in.



wedi® Drain Cover
Matte Black

Drain type: point
Metal type: stainless steel 304
Coating: matte black
Finish type: lightly brushed/
buffed
Size: 3 ¾ x 3 ¾ x ¼ in.



wedi® Drain Cover
Chrome

Drain type: point
Metal type: stainless steel 304
Coating: chrome
Finish type: lightly brushed/
buffed
Size: 3 ¾ x 3 ¾ x ¼ in.



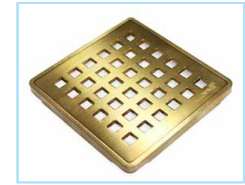
wedi® Drain Cover
Gold

Drain type: point
Metal type: stainless steel 304
Coating: gold
Finish type: lightly brushed/
buffed
Size: 3 ¾ x 3 ¾ x ¼ in.



wedi® Drain Cover
Oil Rubbed Bronze

Drain type: point
Metal type: stainless steel 304
Coating: oil rubbed bronze
Finish type: lightly brushed/
buffed
Size: 3 ¾ x 3 ¾ x ¼ in.



wedi® Drain Cover
Brass

Drain type: point
Metal type: stainless steel 304
Coating: brass
Finish type: brushed
Size: 3 ¾ x 3 ¾ x ¼ in.



wedi® Linear Drain Cover
T27 or T43

Drain type: linear
Metal type: stainless steel 304
Coating: no coating
Finish type: brushed
Sizes:
28 x 2 ⅞ x ¼ in.
43 25/32 x 2 ⅞ x ¼ in.



wedi® Linear Drain Cover
SS27 or SS43

Drain type: linear
Metal type: stainless steel 304
Coating: no coating
Finish type: brushed
Sizes:
28 x 2 ⅞ x ¼ in.
43 25/32 x 2 ⅞ x ¼ in.



wedi® Linear Drain Cover
MB27 or MB43

Drain type: linear
Metal type: stainless steel 304
Coating: matte black
Finish type: lightly buffed/
brushed
Sizes:
28 x 2 ⅞ x ¼ in.
43 25/32 x 2 ⅞ x ¼ in.



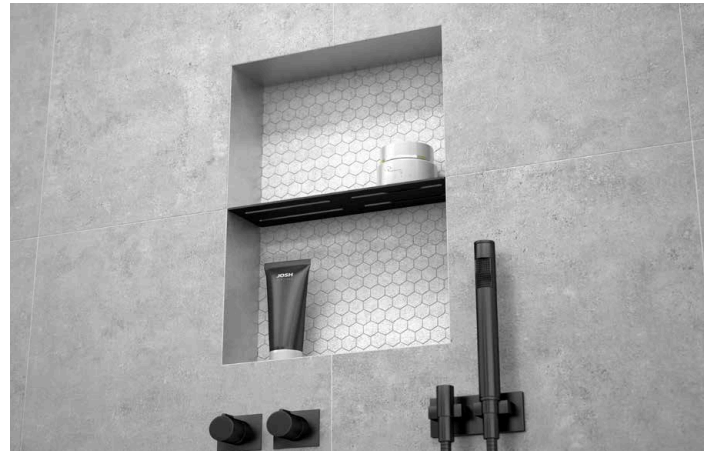
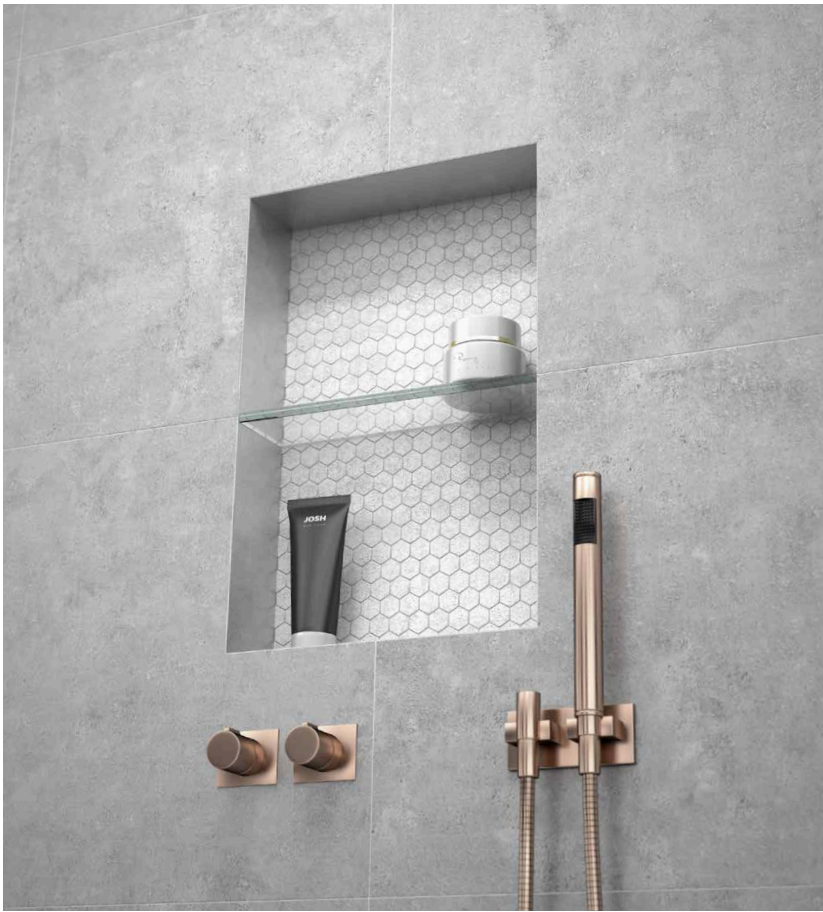
wedi® Linear Drain Cover
Frame SS27 or SS43

Drain type: linear
Metal type: stainless steel 304
Coating: no coating
Finish type: brushed
Sizes:
28 x 2 ⅞ x ¼ in.
43 25/32 x 2 ⅞ x ¼ in.



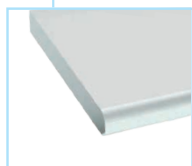
wedi® Linear Drain Cover
Frame MB27 or MB43

Drain type: linear
Metal type: stainless steel 304
Coating: matte black
Finish type: lightly buffed/
brushed
Sizes:
28 x 2 ⅞ x ¼ in.
43 25/32 x 2 ⅞ x ¼ in.



wedi® Shower Niche Shelves

The adjustable shelves included with wedi® Shower Niches can be replaced with a premium shelf option. Choose a shelf finish that matches one of wedi's point or linear drain covers, or the other fixtures in your final shower design. You can choose a premium shelf in low-iron, clear, tempered glass with a pencil-polished edge, a shelf in aluminum anodized in matte black finish, or a brushed stainless steel finish. With little effort and with the use of wedi® Joint Sealant, these shelves may be installed where they best fit the design.



wedi® Shower Niche Shelf
Glass

low-iron, clear,
tempered glass with
pencil-polished edge



wedi® Shower Niche Shelf
Matte Black

anodized aluminum,
matte black finish



wedi® Shower Niche Shelf
Stainless Steel

brushed stainless steel finish

Technical Properties ■ wedi Systems

Properties & Test Methods Value (wedi® Building Panel and Fundo Shower System Components)		
Standard Specification for Rigid, Cellular Polystyrene	ASTM C 578 *	Compliant
Thermal Conductivity *	75°F (25°C) - ASTM C518	0.23 Bbtu in/hr F
R-Value *	75°F (25°) - ASTM C518	4.3hr ft. 2 F/Btu/in (R Value for 1" wedi = 4.3)
Tensile Strength ***	ASTM D1623-09	76 psi
Shear Bond Strength *	ANSI 118.10-1999 Section 5 Minimum performance requirement 50 psi	7 day Shear Strength Dry: 159 psi 7 day Shear Strength Wet: 112 psi 4 week Shear Strength Dry: 216 psi 12 week Shear Strength Dry: 217 psi 100 day Shear Strength Wet: 201 psi
Waterproof ***	ASTM D4068 / ANSI A118.10-1999	Passed
Waterproofness of Assembly ***	ASTM E331	Passed, wedi Fundo Kit assembly (complete system)
Water Vapor Transmission ****	ASTM E 96-2016	Permeance/Perms 0.03 and WVT (grains/h x ft²) 0.05
Capillarity ***		0
Fungus / Bacteria Resistance ***	ASTM G21	Passed, No Growth
Flexural Strength *	ASTM C947	627 psi
Robinson Floor Test *	ASTM C627	Heavy duty commercial use, passed *
Fastener Pull Through *	ASTM C473	Wet 131.8 lb./Dry 196.2 lb.
Temperature Limits *		-58 / +165° F
Freeze & Thaw *	ASTM C666 - 25 Cycles	No disintegration/change; Passed
Accelerated Aging *	AC 71 - 25 Cycles	No disintegration; Passed
Linear Variation ***	AC 159/ASTM 1037-39	Passed, less than 0.07%
Surface Burning Characteristics *	ASTM E84-16 (NFPA 255, ANSI / UL 723, UBC 8-1) Tested as required without tile on Building Panel surface	Flame Spread Index (FSI): 20 Smoke Developed Index (SDI) : 70 Classification: Class A
Floor and Trench Drain Compliance **	ASME A112.18.2	Passed, Compliant (ICC PMG 1189)
Seam Strength*	ASTM D751-11 (requirement 8 lb/in width)	Passed, 36.4 lbs

* wedi® Building Panel tested
** wedi Fundo® Floor Systems tested

*** Entire wedi shower system tested
**** "Vapor 85 assembly incl. seams". Test standard is ASTM E 96 Method E at 100 F* and 90 % R.H.

* Consult wedi for proper subfloor, tile, setting materials choice to design heavy duty commercial use floor surfaces.

Weight for wedi® Building Panels	Width	Length	Thickness	Weight
	48 in.	60 in.	1/4 in.	12 lb.
	48 in.	60 in.	1/2 in.	13 lb.

Approvals & Certificates				
Approvals and certificates applicable to entire product system or components as required	City of New York, MEA 912-52-SM	Fundo Shower Systems & Building Panels: ICC PMG 1189 (for USA and Canada)	Meets all applicable ANSI/ISO Standards incl. ANSI 118.10 and IAPMO PS106	TCNA handbook recognized for wall, floor, countertop, & more applications
	City of Los Angeles Approved. Please see ICC PMG report.	DIN EN ISO 9001	CE marked	
	Diverse State Approvals			

Environmental Consideration
Contains no unbonded fire retardants like HBCD (Hexabromocyclododecane) which has been banned in Canada and is a toxic substance of high concern with the US EPA.

Highlights
Blue XPS core is 100% waterproof and remains fully functional even after partial damage- specially engineered for 100% consistency of its closed-cell structure. The particular cell structure design ensures compression strength where it is needed, internal waterproofness and an easy cut experience.
wedi product surfaces include specially designed and manufactured fiberglass mesh, fully embedded in the coating. It won't break, and it offers a structure with texture for perfect tile adhesion. The strong backing properties of the panels start with the mesh surface coating.
wedi's foam-based products are made with extrusion agents in compliance with the Montreal Protocol, helping to reduce Global Warming Potential (GWP). The foam-based products are made from 25% recycled content.
wedi does not compromise safety or composition and provides safe fire behavior and protection. wedi uses consistent levels of fully polymeric bonded flame retardant (PFR) that does not release over time. wedi products meet international standards such as REACH and the UN's Stockholm Convention Protocols. The foam is precisely milled and cut to produce tile underlayment surfaces with absolutely perfect dimensions. All milling waste is recycled. wedi joint sealants are Polyisocyanates and PVC free and are zero VOC sealants.

ICC-PMG 1189 Report ■ National Building Code Compliances

WEDI FUNDO® SHOWER SYSTEM AND TILE BACKER BOARD UNDERLAYMENTS	
CSI	DIVISION: 22 00 00 – PLUMBING Section: 22 40 00 – Plumbing Fixtures (Shower System Kit)
Product certification system	The ICC-ES product certification system includes testing samples taken from the market or supplier's stock, or a combination of both, to verify compliance with applicable codes and standards. The system also involves factory inspections, and assessment and surveillance of the supplier's quality system.
Product	wedi Fundo® Shower System and Tile Backer Board Underlayments
Listee	wedi Corporation ■ 1160 Pierson Drive, Batavia, IL 60510 www.wedicorp.com
Compliance with the following codes	2021, 2018, 2015, 2012 and 2009 International Plumbing Code® (IPC) 2021, 2018, 2015, 2012 and 2009 International Residential Code® (IRC) 2021, 2018, 2015, 2012 and 2009 International Building Code® (IBC) 2021, 2018, 2015, 2012 and 2009 National Standard Plumbing Code® (NSPC) 2021, 2018, 2015, 2012 and 2009 Uniform Plumbing Code® (UPC)* 2022, 2019, 2016 and 2013 California Plumbing Code (CPC)* 2020 and 2017 City of Los Angeles Plumbing Code 2020, 2015, 2010 and 2005 National Plumbing Code of Canada** * Uniform Plumbing Code is a copyrighted publication if the International Association of Plumbing and Mechanical Officials ** National Plumbing Code of Canada is a copyrighted publication of National Research Council Canada
Compliance with the following standards	ANSI A118.10-2014(R19), Load Bearing, Bonded, Waterproof Membranes for Thinset Ceramic Tile and Dimension Stone Installations ASME A112.6.3/CSA B79-2022, Floor Drains ASTM E 96-2022ae1, Standard Test Methods for Gravimetric Determination of Water Vapor Transmission of Materials ASTM E 331-00(R23), ASTM E331-00(2016) Standard Test Method for Water Penetration of Exterior Windows, Skylights, Doors, and Curtain Walls by Uniform Static Air Pressure Difference ICC-ES EG 159, Evaluation Guideline for Composite Backer Board (Approved Dec 2004) ICC-ES AC 71, Acceptance Criteria for Foam Plastic Sheathing Panels Used as Water Resistive Barriers (Approved Feb 2003, Ed Revised Nov 2018) IAPMO PS 46-2012, Field Fabricated Tiling Kits IAPMO PS 106-2015e1, Tileable Shower Receptors and Shower Kits
Identification	Packaging label for each system shall include the manufacturer's name or trademark as well as the ICC-ES PMG certification mark.
Installation	The wedi Fundo® Shower Systems shall be installed in accordance with the manufacturer's published instructions and the applicable code(s). The wedi Fundo® Shower System components shall be assembled and can be customized in the field. When provided drains must comply with ASME A112.18.2/CSA B125.2 as applicable. The wedi pre-sloped, ready-to-tile shower bases may be used in lieu of a CSA B45.5/IAPMO Z124 plastic shower receptors or any liner based shower installations. The wedi drain units do not require weep holes.
Listed Models and Characteristics	The wedi Fundo® Shower Systems consist of the following: a) The wedi waterproof Fundo shower bases are waterproof, pre-sloped, ready-to-tile floor units. The shower bases with linear and point drainage include factory sealed parts integrated into the floor bases and can be installed with or without curbs in recess, barrier free installations. b) The wedi waterproof building panels which are engineered as a general purpose backer board and underlayment for tile as well as an integral part of the Fundo shower system and consist of a rigid extruded polystyrene foam covered on both sides with a cement-based resin surface and reinforcing mesh for durability and bond performance with tile adhesives. c) the wedi® Vapor 85 Building Panel which may be used with or without wedi shower systems. It is a specialized building panel featuring the original wedi® Building Panel but with its vapor exposed side protected by wedi® Subliner Dry. The wedi® Vapor 85 was tested to ASTM E96 Procedure E as a complete assembly with the wedi® 620 joint sealing membrane and wedi® Subliner Dry sealing tape over seams and fastener points and was found to have a perm rating of 0.03 perms which meets the permeance rating requirement of 0.5 perm or less and can be used in continuous use steam shower/room applications without additional vapor retarders in accordance with Tile Council of North America (TCNA) 2014 Handbook for Ceramic Glass and Stone Tile Installation (SR613-14 and SR614-14). d) The wedi waterproof Fundo Shower system accessories which may include the following waterproof components: wedi pre-sloped curbs, wedi niches, wedi seats, wedi fasteners, wedi drain cover plates, wedi sealants, wedi Fundo drains, wedi Subliner sheet waterproofing membrane system and tapes, with wedi® Subliner Dry Bonding Flange drain, wedi® Subliner Dry Tub Sealing Tape. The wedi Fundo family line includes the following: Primo, Riolito, Riolito Modular, Riofino, Discreto, Ligno and OneStep. The wedi Fundo® Shower System components and assembly for shower installations were proven to be waterproof, water-resistant, and mold resistant when tested in accordance with A118.10-2014 and ASTM E331. The wedi drains have found to comply with with ASME A112.18.2/CSA B125.2 and do not require weep holes.

2023. Find Current Report on www.icc-es.org or www.wedicorp.com

Requirements/Limitations for wedi products used in Shower and Wet Room applications

- wedi products are only used for interior installations in buildings.
- wedi product can be used in both residential and many heavy-duty commercial use/building applications. Please contact wedi for specific use ratings, testing, and certifications.
- Ensure you choose the right wedi product designed for the intended application, including walls, floors, shower floors, seats, benches, curbs, ramps, countertops, and many more.
- Store wedi products in their original packaging and flat in a dry interior building, and you must avoid exposure to direct sunlight/UV and humidity.
- wedi foam-based products can deform at temperatures over 165°F. Therefore, when using wedi products over kitchen countertops or near fire places, ensure limited heat exposure.
- Do not use wedi foam-based products with solvent-based adhesives, rubberized solvents, or ketones.
- Please read wedi Safety Data Sheets before working with wedi product.
- wedi foam products are not used for sound reduction applications, but they offer waterproofing and thermal insulation properties. wedi products should not be installed over heated floor systems or where they may trap moisture.
- wedi® Building Panels are waterproof but not sufficiently vaporproof for use in steam rooms. Use wedi's Building Panel Vapor 85 and its system accessories in steam room applications. wedi Fundo® Shower bases, when applied over cold or uninsulated substrates, should be vapor-proofed using wedi® Subliner Dry sheet membrane system. When used in steam rooms, curbs, seats, or benches must be vapor-proofed using the wedi® Subliner Dry sheet membrane system.
- Do not integrate or install other products through wedi Fundo shower floors. For example, when installing objects to wedi® Building Panels, such as towel holders or handlebars, these cannot be anchored in the wedi product but require anchoring in the structural construction behind wedi® Building Panels. Alternatively, solid mounting boards can be installed into the surface of some wedi® Building Panels so that fasteners can be applied. Contact wedi for specific project recommendations.
- Do not use wedi products in assemblies for submerged

installations before contacting wedi to ensure proper material choice and installation processes and techniques.

- Do not install additional products except intended and approved surface finish materials. These items may interfere with wedi's performance. For example, they may not be waterproof (e.g., uncoupling membranes are not waterproof due to open seams and contain much thinset mortar and should not be used over wedi shower floors).
- When installing electric floor heating systems over wedi foam-based products, these should be installed over wedi's cement coating surface. Integration of cables into wedi foam-based product creates the risk of heat build-up and malfunction due to heat being trapped in wedi's insulating material. Hydronic floor heating systems may be integrated into wedi foam-based products if they do not penetrate or threaten the stability of the product.
- wedi foam-based products have a Class A rating for fire behavior and safety and are equipped with modern and fully bonded fire retardants. wedi products can be used in residential and commercial use buildings on the interior. In applications that require interior walls, floors, or ceilings to provide a fire-resistant barrier, wedi products must be installed over fire-resistance-rated substrates, such as rated drywall or gypsum assemblies.
- wedi® Joint Sealant and wedi® Sealant 620 are moisture curing products. In colder temperatures and lower humidity in the air present, the curing process may be heavily delayed. It may take up to 48 hours longer than in ideal conditions (72°F and 50% RH). Do not expose the sealants to water before a firm skin has formed and the sealant is no longer pliable and will not leave a sticky

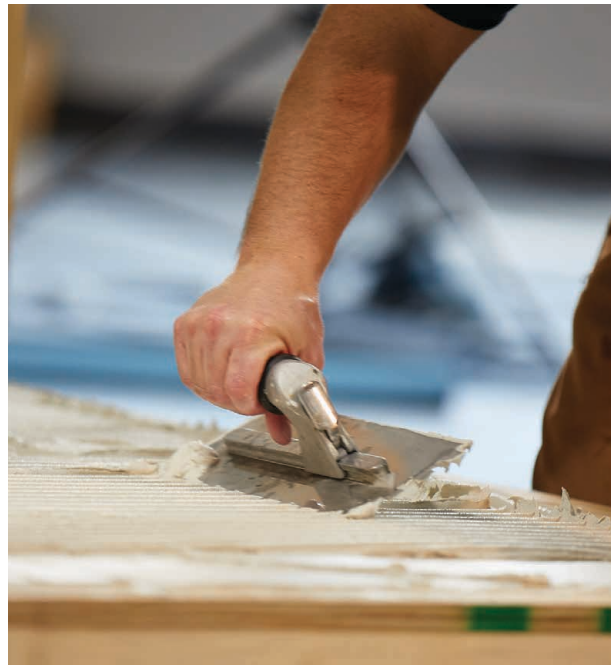


residue when touched. In a low humidity environment, it can be helpful to treat assembly seam areas with a moist sponge before applying sealant (puddles must be avoided).

- Concrete and wooden subfloors, metal and wooden wall framing, and other suitable substrates over which wedi product systems can be installed must be made of adequate material quality and be built in compliance with the applicable Building Code.
- Suitable substrates and their surfaces must be clean and even. Remove any residues, oil, waxes, grease, or other contaminants acting as possible bond breakers. Also, remove any unintended obstructions and protrusions, such as nails sticking out from surfaces.
- Suitable substrates must be sufficiently loadbearing and minimize the potential for a movement that may cause stress on the product and cause damage. Over horizontal surfaces such as floors or benches, but not over framed ceilings, wedi product must be fully supported by a solid subfloor. Over vertical surfaces such as wall framing and including the underside of ceilings, you must install appropriate wedi® Building Panels directly over framing studs. Deflection of all subfloor and wall framing installations must not exceed $L/360$ for ceramic tile installations over wedi product and $L/720$ for dimensional stone installations over wedi product under consideration of live and dead loads. Measurements are taken on the wooden subfloor in the center between floor joists. On concrete floors, measurements are taken in the center between beams or calculated based on formulation and design. On walls, measurements are taken mid-framing stud and mid-track or plate on framed walls. You can find design requirements and recommendations in the following: the International Residential Code (IRC), International Building Code (IBC), the Engineered Wood Association (APA) manuals, The Steel Framing Alliance guides, American National Standards Institute (ANSI), American Society for Testing and Materials (ASTM), and Test Methods and the Tile Council of North America's Handbook for Ceramic, Glass and Stone Tile Installation (see Details for "Cementitious Coated Extruded Foam Backer Board").

Minimum design requirements for substrates:

- Wood subfloor joist spacing up to 16 in. o.c. use with a minimum thickness of $2\frac{3}{32}$ in. T&G exterior grade or Exposure 1 rated plywood or OSB of $2\frac{3}{32}$ in. with $\frac{1}{8}$ in. of a gap between sheets.
- Wood subfloor joist spacing greater than 16 in. o.c. and up to 24 in. use with a structure comprised of one $2\frac{3}{32}$ in.



T&G exterior grade or Exposure 1 rated plywood with $\frac{1}{8}$ in. of a gap between sheets and one additional layer of minimum $\frac{3}{8}$ in. thick exterior rated or Exposure 1 rated plywood with $\frac{1}{8}$ in. gap between sheets.

- Wall framing is made of 2 x 4 wood framing studs or metal studs 20 ga. or heavier. Wall framing studs are generally spaced no greater than 16 inches o.c. and fully support all wedi® Building Panels in all corners of the framework. Framing spaced greater than 16 in. o.c. and up to 19.2 in. o.c. can be covered with wedi® Building Panels in 1 in. thickness. Framing spaced greater than 19.2 in. o.c. and up to 24 in. o.c. can be covered with wedi® Building Panels in 2 in. thickness. Contact us for specific solutions that work with framing studs spaced or designed differently than listed here.
- Shower seats and benches must be designed and constructed to meet the same deflection criteria as used for subfloors. In addition, they must provide a solid substrate over framed studs for the horizontal seat area, such as plywood sheeting.
- Semi-freestanding wall framing or half/pony walls must be designed and constructed to meet the same deflection criteria for regular integrated wall framing. In addition, they must be reinforced to avoid the excess potential for movement, especially as their outer framing posts are not fully attached to other construction.
- All wedi® Building Panels can be used over suitable subfloors.
- wedi® Building Panels from $\frac{1}{2}$ in. thick or more may be used directly over framing studs on walls or underside of

ceilings.

- All wedi Fundo shower bases and curbs must be installed over a subfloor and cannot be installed directly over floor joists.
- Do not use wedi products over substrates including, but not limited to: general particleboard (specific exceptions apply), luan, asbestos, plank, bamboo, hardwood, chipboard, sponge-backed vinyl tile/flooring, laminates, fiberglass-based surfaces, metal or steel surfaces. In addition, do not install over any dimensionally unstable surfaces. Consult wedi for questions regarding specific approved installations not listed here.
- Existing cracks in subfloor must be filled and secured.
- Do not use wedi product over control and expansion joints subject to out-of-plane movement or in-plane movement.
- Suitable floor substrates must be level within the permissible range. Any leveling of the subfloor must be done prior to installing wedi products and tile. Subfloor maximum variation from plane must not exceed $\frac{1}{4}$ in. in 10 ft. and $\frac{1}{16}$ in. in 12 in. when tile over wedi product is used and all edges of the tile shorter than 15 in. For installations over wedi product using tile with at least one edge 15 in. or longer in length, maximum allowable variation is $\frac{1}{8}$ in. in 10 ft. and no more than $\frac{1}{16}$ in. in 12 in. Make sure to use leveling materials adequate to the challenges of the application. When leveling or building up larger areas, including outside the shower, do not use a material that can be affected by even low water exposure.
- Suitable substrates, where planes change, must be squared to allow for a safe fit and connection between wedi products joined in an assembly.
- Suitable substrates must be dry and cured within permissible range before installing wedi products and must be kept dry after installation.
 - Wood subfloors and structures attached to wooden subfloors and all wall and bench framing must be kept dry, and wood moisture content must be maintained at consistent service and use levels and must not exceed 15%. Where constant moisture or vapor is present, ventilation must be installed to eliminate exposure of the wood structure from below the wedi product layer.
 - Concrete and cement-based subfloors and structures must be fully cured (at least 28 days but up to 3 months for new Portland cement-based concrete or lightweight concrete under normal conditions, depending on thickness, mix ratio, and ambient climate). Field verification of full cure (see moisture level indicators below) is necessary to determine a full cure. In addition, residual humidity must not exceed

the following value per each floor type when setting wedi product and/or tile coverings:

- Calcium Sulphate Screeds: 0.5%
 - Calcium Sulphate Screeds, heated: 0.3%
 - Cement Screeds: 3.5%
 - Gypsum based underlayment: 1% (or per manufacturer recommendation)
 - Anhydrite Screeds: 0.5%
 - Conduct measures with CM device.
- wedi products must be used with suitable tile adhesive, grout, and tile.
 - Do not use wedi products as a wear surface or without tile or other suitable coverings.
 - When adhering wedi product to subfloors or other horizontal areas such as benches, choose a cement-based thinset or epoxy-based thinset



Please note that wedi product systems might trap rising moisture during cure time or in general from uninsulated concrete ground floors not equipped with a vapor barrier. Concrete subfloors must not be subject to hydrostatic water pressure. Do not use wedi product where substrate is subject to excessive moisture and moisture content changes.

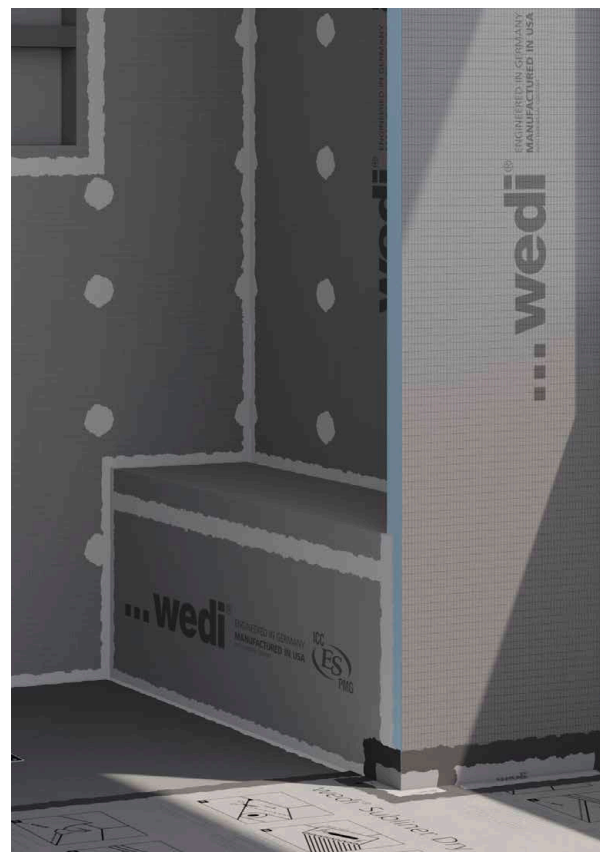
adhesive designed to work with the substrate and wedi's cement-based surface coating. We generally recommend cement-based thinsets meeting or exceeding ANSI 118.4 (Modified Dry Set Cement Mortar). Ensure that a thinset mortar coverage of 95% or more is achieved to fully bond and support the wedi product or the tile. This is especially important in wet area applications in order to avoid water moving and accumulating between wedi and tile. Ensure that the thinset mortar application thickness is within the permissible range for these products and does not exceed a thickness in excess of ¼ in. (when compressed). Use a range of notch trowels to adhere these wedi products:

- wedi® Building Panel on floors or solid walls: min. ¼ in. x ¼ in. up to max. 5/16 in. x 5/16 in. square notch trowel and applied to floor substrate (compressed thinset thickness 1/8 in.– 5/32 in.). A skim coat of thinset mortar may be applied to the wedi® Building Panel to improve the bond.
- wedi Fundo® Shower Bases on floors: min. 3/8 in. x 3/8 in. up to max. ½ in. x ½ in. square notch trowel and applied to floor substrate (compressed thinset thickness 3/16 in.– ¼ in.). A skim coat of thinset mortar must be applied to the wedi shower base using the flat side of the trowel to ensure an improved bond.
- wedi® Subliner Dry Sheet membranes and sealing tapes on floors or walls: min. 3/16 in. x 3/16 in. up to max. ¼ in. x ¼ in. square notch trowel and applied to the substrate (compressed thinset thickness 3/16 in.– 5/32 in.)
- Alternatively, different notch trowel types can be used if the result is compressed thinset layer thickness within the recommended range. This may require applying a notched thinset layer on both the substrate and wedi product.
- All thinset mortar applications over substrate and wedi product should be flat troweled on surfaces before combing through the mortar using the notched side of the trowel.
- Some substrates may require priming to allow for thinset mortar adhesion (such as gypsum underlayment). wedi® Building Panels are installed to wall framing using wedi fasteners, including washers for safe load distribution. wedi's coated coarse-thread screws are suitable for use with wood framing and framing 20 ga. or lighter. In heavier metal framing, use wedi self-tapping screws. The fasteners are applied through wedi® Building Panel into the framing stud at a rate of one fastener per every 1 ft. on a wall, and at



a rate of one fastener per every 6 inches on a ceiling. Where possible, wedi fasteners should be installed into seams between adjacent panels to create smooth transitions. Wall framing must be square and plumb. wedi does not recommend wet shimming between framing studs and wedi® Building Panels. This application is outside the intended design and performance of most general use thinset mortars.

- wedi® Building Panels are installed to solid walls, such as drywall, plywood, or concrete/brick surfaces, using thinset mortar (substrates may require



priming). Where possible, fasteners should be used additionally to help with compressing the thinset mortar while it cures.

- wedi® Building Panels are installed to a horizontal substrate such as a subfloor using thinset mortar adhesive and wedi fasteners set at a rate of one fastener per square foot of wedi panel on the floor. Where possible, wedi fasteners should be installed into seams between adjacent panels to create smooth transitions. Tabless wedi washers are available for wedi® Building Panels 1/8 in. or 1/4 in. when used on a floor. The flat washers will not interfere with the wood subfloor, unlike wedi's tab washers when used with thinner Building Panels. No fasteners are used on small horizontal substrates, such as sloped benchtops or half wall tops.
- wedi products are suitable for coverings made of ceramic and porcelain tile, glass tile, natural stone tile and slabs, and select composite material claddings. These are installed with suitable and specific thinset mortars recommended by the tile manufacturers, but these have to be suitable for wedi products.
- wedi recommends using thinset and grout mortar setting materials suitable for installation and adhesion to the specific substrate/subfloor type and the tile to be installed. We recommend thinset and grout mortar materials that meet the classifications of ANSI 118.3, ANSI 118.4, ANSI 118.11, or ANSI 118.15.
- Steam showers or steam rooms use only setting materials specifically recommended by the manufacturer for this application and submerged and hot temperature areas. Setting materials recommended by wedi are commonly solid epoxies (meet or exceed ANSI 118.3) or high-performance modified mortars (meet or exceed ANSI 118.15).
- Do not use premixed and organic mastic mortars when installing wedi products to substrates or when installing tile in wet area environments as these may cause mold growth and may not perform well in a wet area environment or when applied between surfaces with low or no water absorption capability.
- Follow setting material manufacturers' recommendations for cure time of thinset and grout mortar materials and do not subject the materials and the application to traffic, load, or moisture (e.g., shower use). Premature exposure may lead to failure of these materials to develop inherent strength, and it may lead to continual setting processes that wear and tear on other products in the assembly.
- A wedi installation does not replace the need for Expansion and/ or Movement joint placement within a tile

installation. Follow recommendations found in the TCNA guidelines (Detail EJ171).

- wedi® Building Panel can carry a tile covering weight and loads of up to 23 pounds per square foot on walls and up to 15 pounds per square foot on ceilings.
- When setting tile over wedi® Vapor 85, please choose appropriate setting material and tile for use in steam rooms and steam showers. We recommend not to use natural stone tile or slab. We recommend to use porcelain tile with low water absorption potential (as classified in ANSI 137.1). We recommend the use of solid epoxy setting mortar and grout (as per ANSI 118.3). Please note that tile application over wedi Vapor 85 panels is limited to a combined load and weight of tile and setting materials of up to 14 lb per square foot, and on ceilings up to 10 lb per square foot.
- The untiled shower bases offer a compressive strength of over 100 psi and, once tiled, they can absorb several times this amount and heavier point loads such as from wheel chairs.



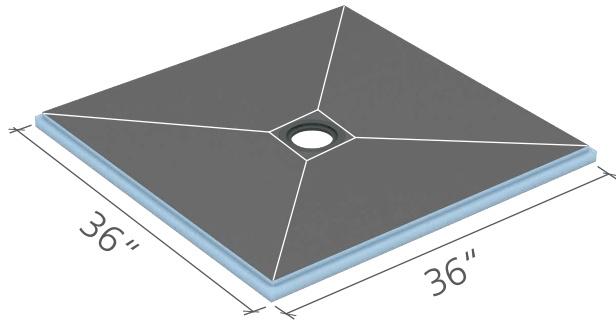
wedi Fundo® Shower Base ■ Technical Drawings

i White lines indicate where slope fields meet on shower base.

wedi Fundo® Shower Base, square

36 in. x 36 in. x 1 37/64 in.

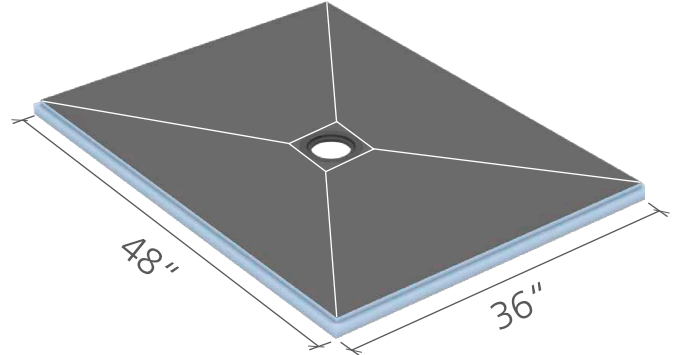
US9100001



wedi Fundo® Shower Base, rectangular

36 in. x 48 in. x 1 37/64 in.

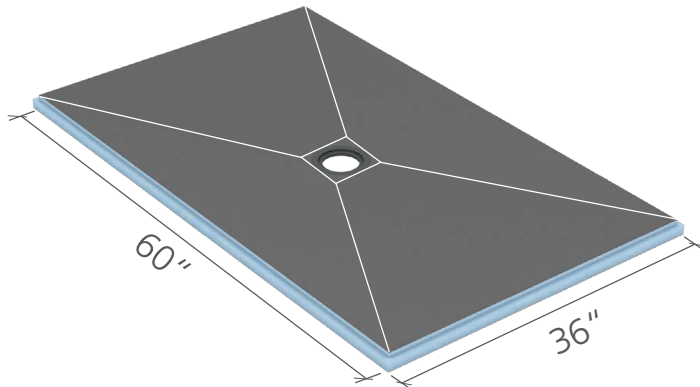
US9100002



wedi Fundo® Shower Base, rectangular

36 in. x 60 in. x 1 37/64 in.

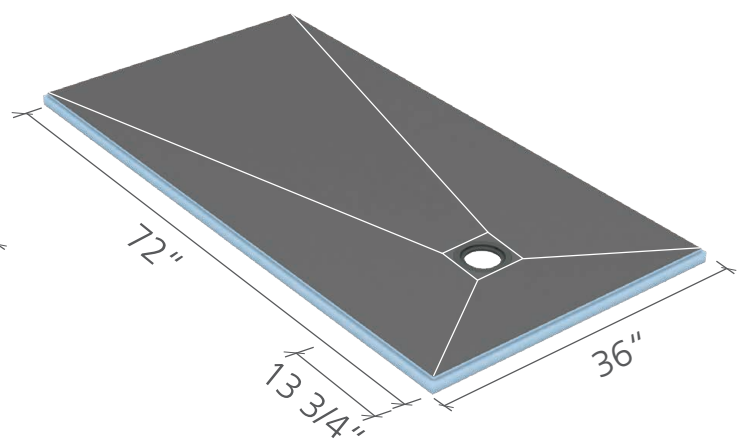
US9100004



wedi Fundo® Shower Base, rectangular

36 in. x 72 in. x 2 in. (off-center drain)

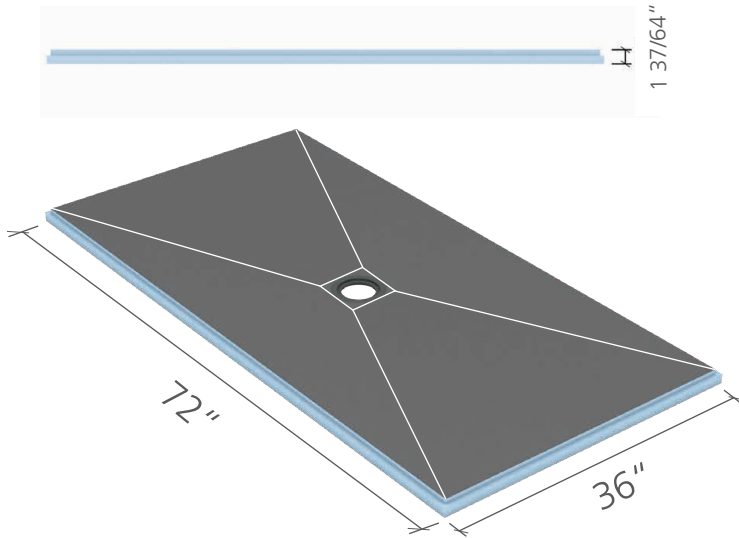
US9100005



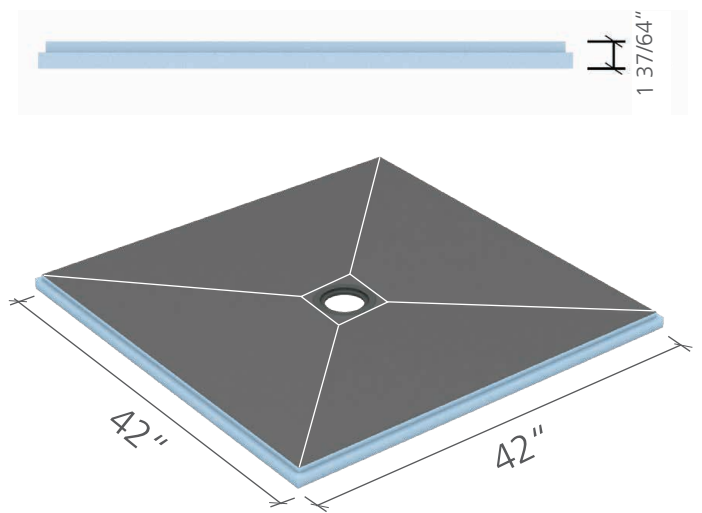
wedi Fundo® Shower Base ■ Technical Drawings

i White lines indicate where slope fields meet on shower base.

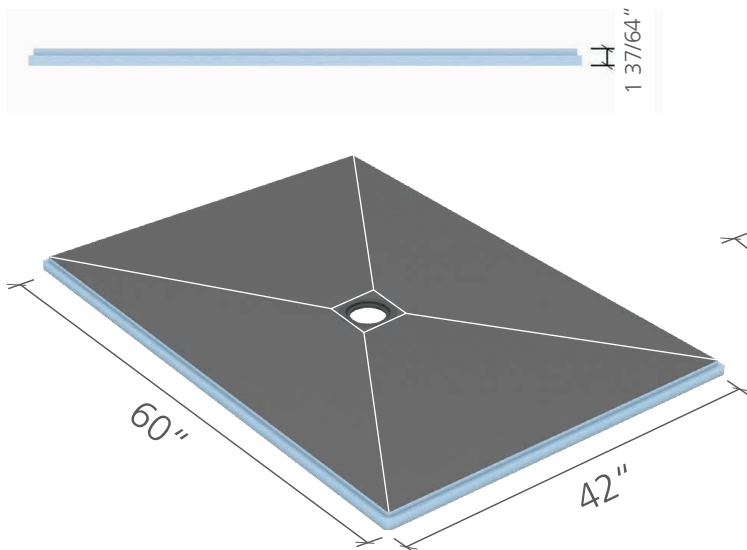
wedi Fundo® Shower Base, rectangular
36 in. x 72 in. x 1 37/64 in. (center drain)
US9100006



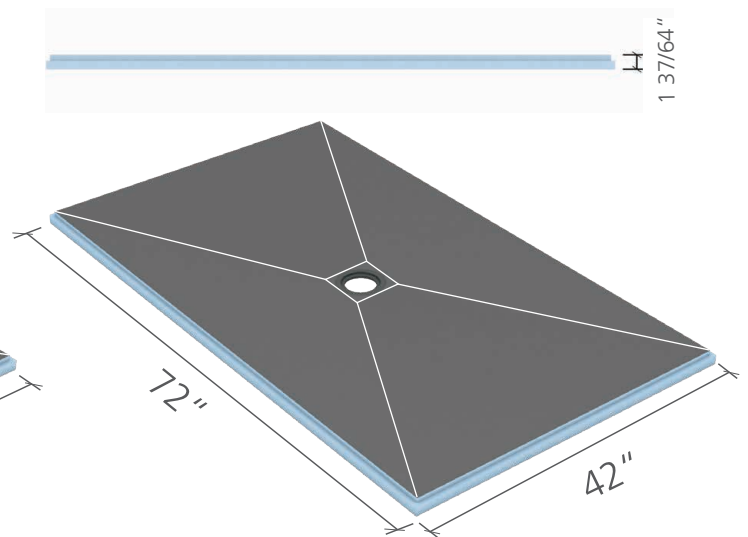
wedi Fundo® Shower Base, square
42 in. x 42 in. x 1 37/64 in.
US9100017



wedi Fundo® Shower Base, rectangular
42 in. x 60 in. x 1 37/64 in.
US9100007



wedi Fundo® Shower Base, rectangular
42 in. x 72 in. x 1 37/64 in.
US9100008



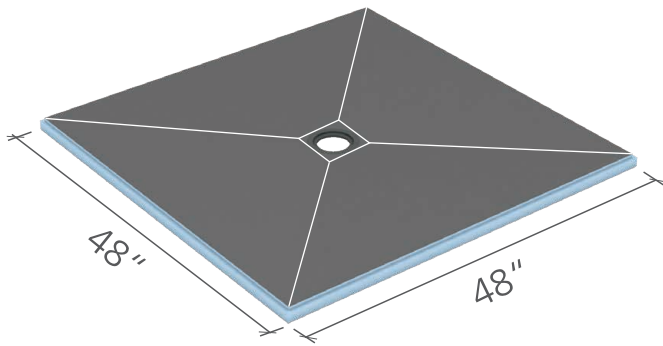
wedi Fundo® Shower Base ■ Technical Drawings

i White lines indicate where slope fields meet on shower base.

wedi Fundo® Shower Base, Square

48 in. x 48 in. x 1 37/64 in.

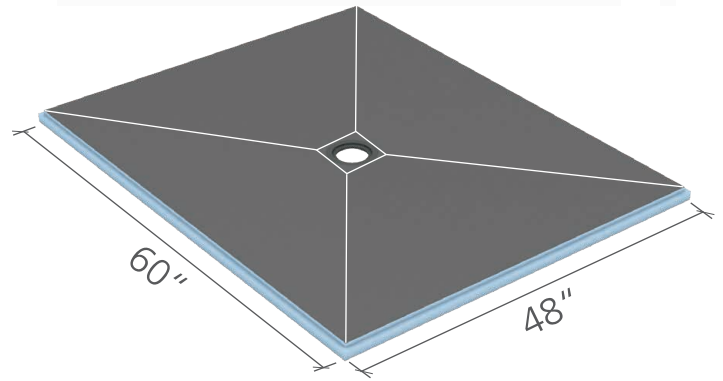
US9100003



wedi Fundo® Shower Base, rectangular

48 in. x 60 in. x 1 37/64 in.

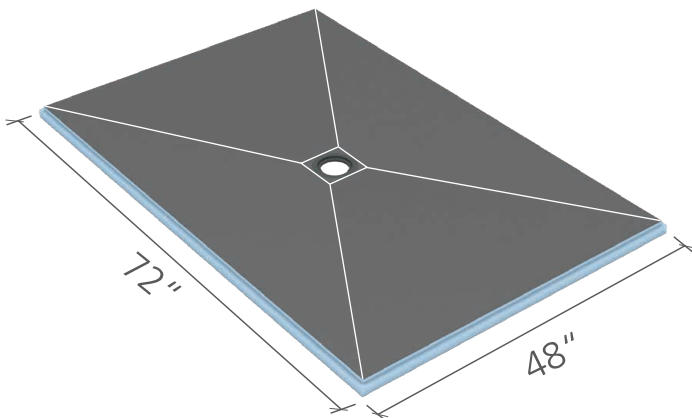
US9100009



wedi Fundo® Shower Base, rectangular

48 in. x 72 in. x 1 37/64 in.

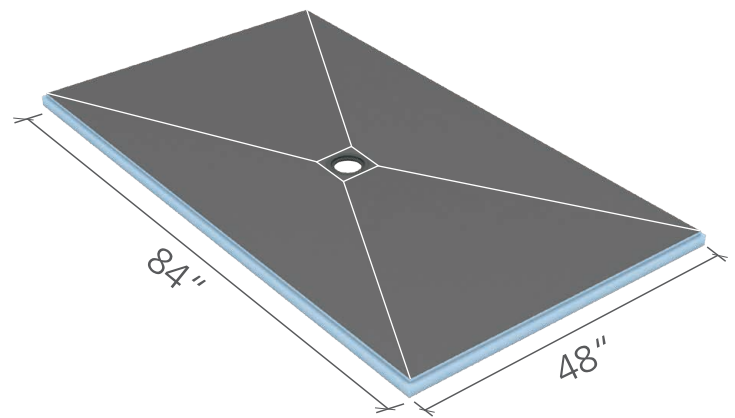
US9100010



wedi Fundo® Shower Base, rectangular

48 in. x 84 in. x 2 in.

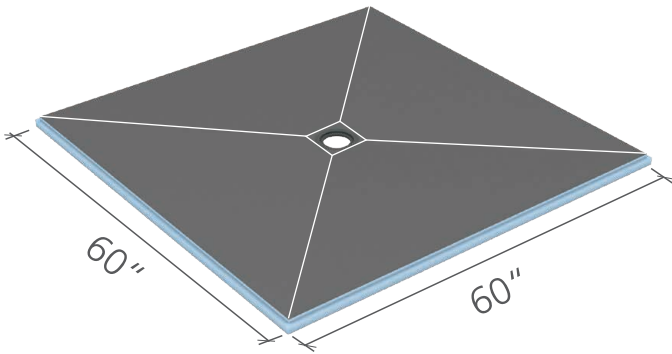
US9100014



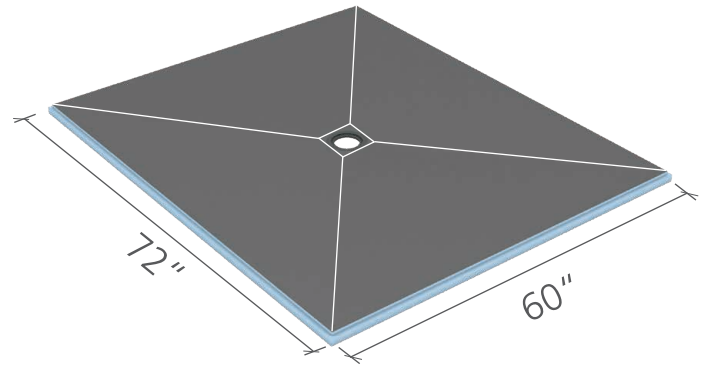
wedi Fundo® Shower Base ■ Technical Drawings

i White lines indicate where slope fields meet on shower base.

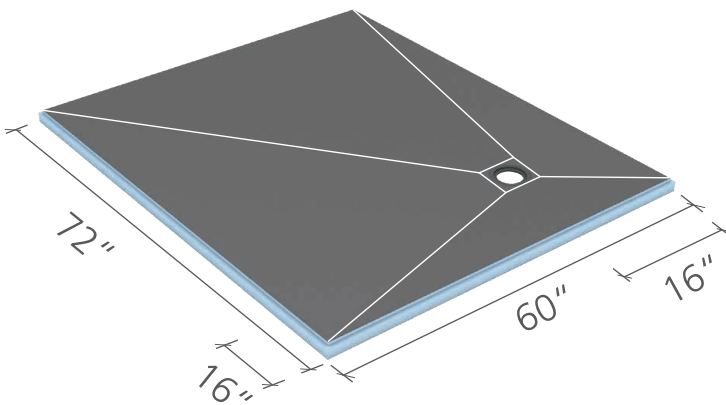
wedi Fundo® Shower Base, square
60 in. x 60 in. x 1 37/64 in.
US9100011



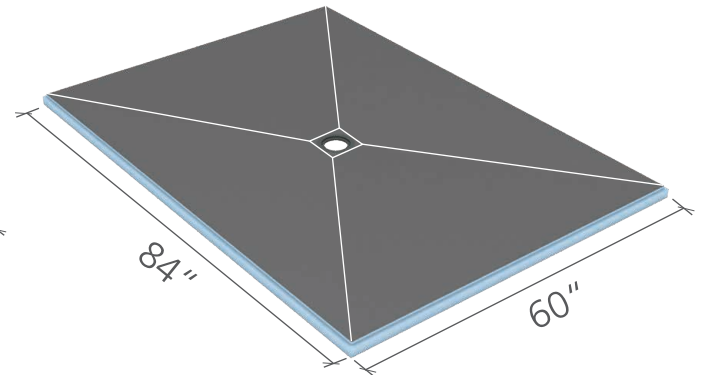
wedi Fundo® Shower Base, rectangular
60 in. x 72 in. x 1 37/64 in.
US9100012



wedi Fundo® Shower Base, rectangular
60 in. x 72 in. x 2 in. (off-center drain)
US9100013



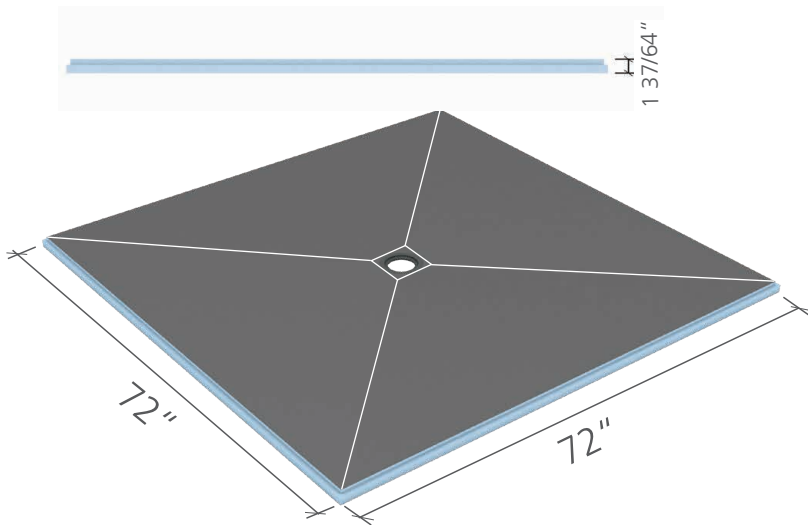
wedi Fundo® Shower Base, rectangular
60 in. x 84 in. x 2 in.
US9100015



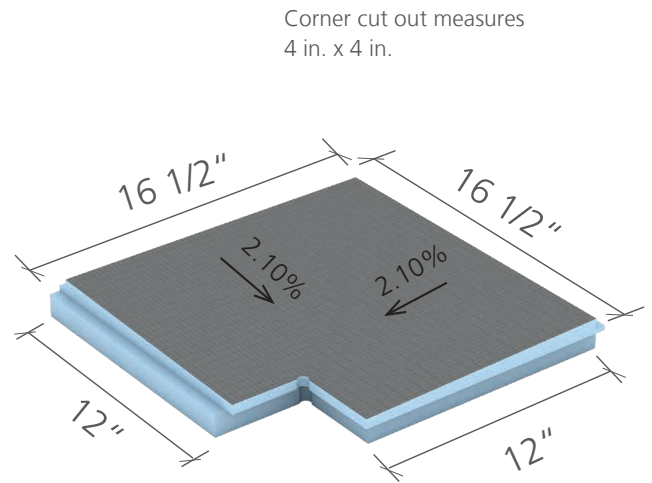
wedi Fundo® Shower Base ■ Technical Drawings

i White lines indicate where slope fields meet on shower base.

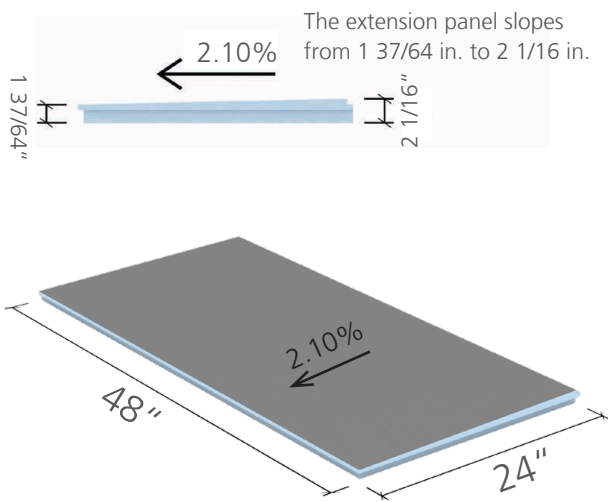
wedi Fundo® Shower Base, square
72 in. x 72 in. x 1 37/64 in.
US9100016



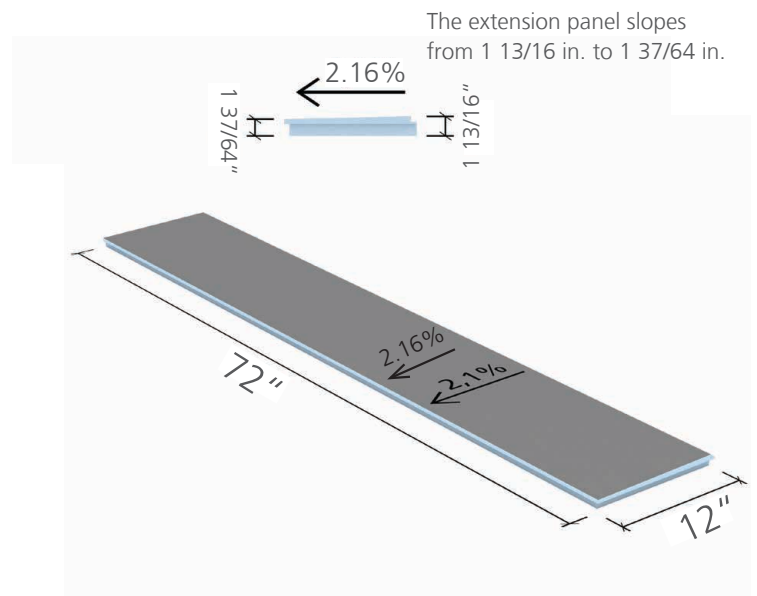
wedi® Shower Corner Extension
16 1/2 in. x 16 1/2 in. x 1 13/16 in.
US3000053



wedi® Shower Extension
24 in. x 48 in.
073783528



wedi® Shower Extension
12 in. x 72 in.
US3000036



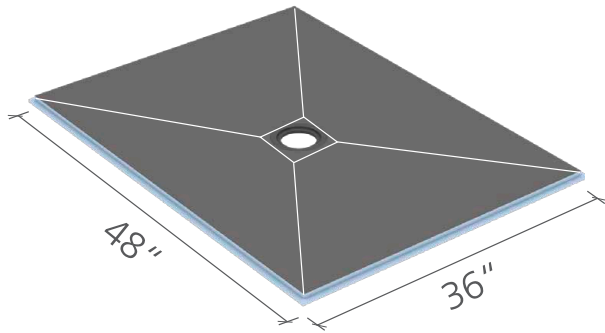
wedi Fundo® Curbless Shower Base ■ Technical Drawings

i White lines indicate where slope fields meet on shower base.

wedi Fundo® Curbless Shower Base

36 in. × 48 in. × 3/4 in.

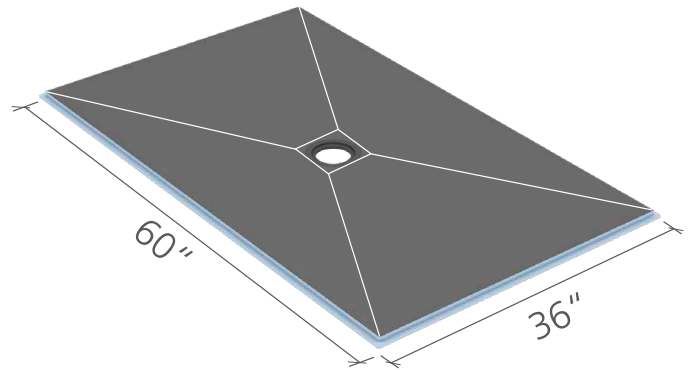
US9200001



wedi Fundo® Curbless Shower Base

36 in. × 60 in. × 3/4 in.

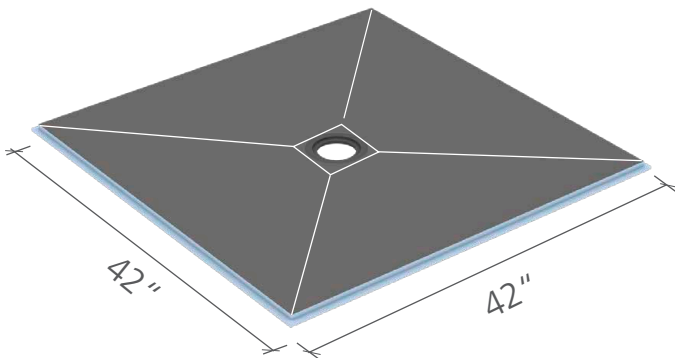
US9200003



wedi Fundo® Curbless Shower Base

42 in. × 42 in. × 3/4 in.

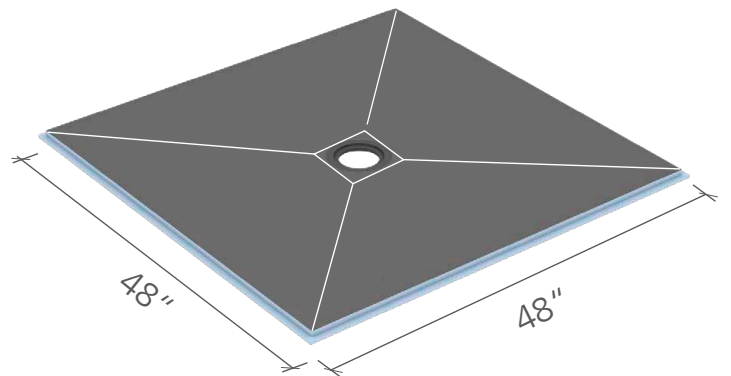
US9200006



wedi Fundo® Curbless Shower Base

48 in. × 48 in. × 3/4 in.

US9200002



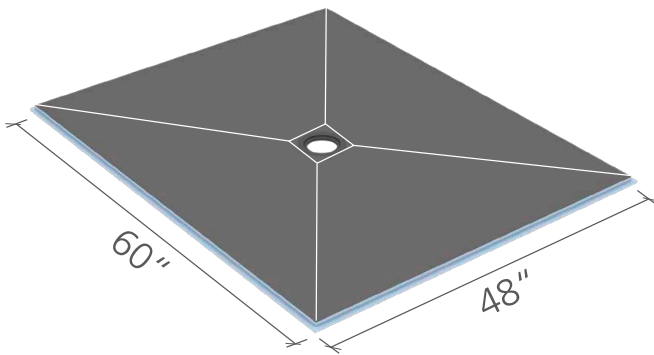
wedi Fundo® Curbless Shower Base ■ Technical Drawings

i White lines indicate where slope fields meet on shower base.

wedi Fundo® Curbless Shower Base

48 in. x 60 in. x 3/4 in.

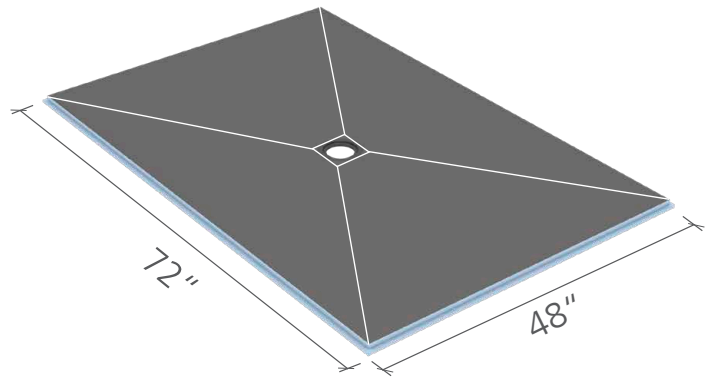
US9200004



wedi Fundo® Curbless Shower Base

48 in. x 72 in. x 1 1/8 in.

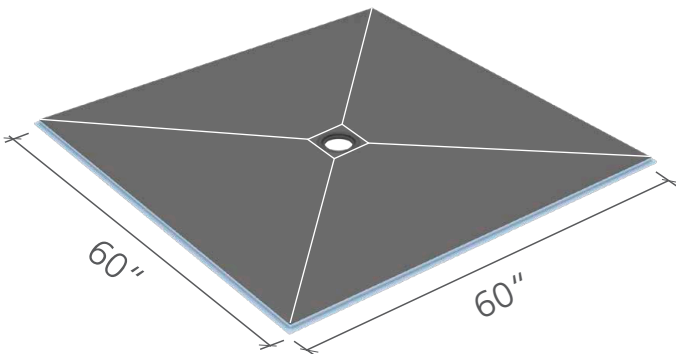
US9200008



wedi Fundo® Curbless Shower Base

60 in. x 60 in. x 3/4 in.

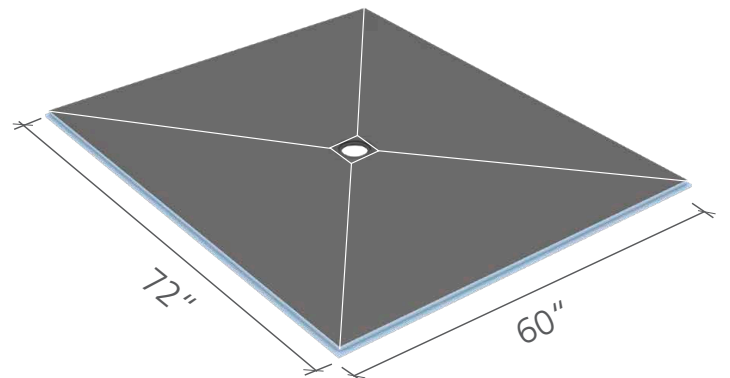
US9200005



wedi Fundo® Curbless Shower Base

60 in. x 72 in. x 1 1/8 in.

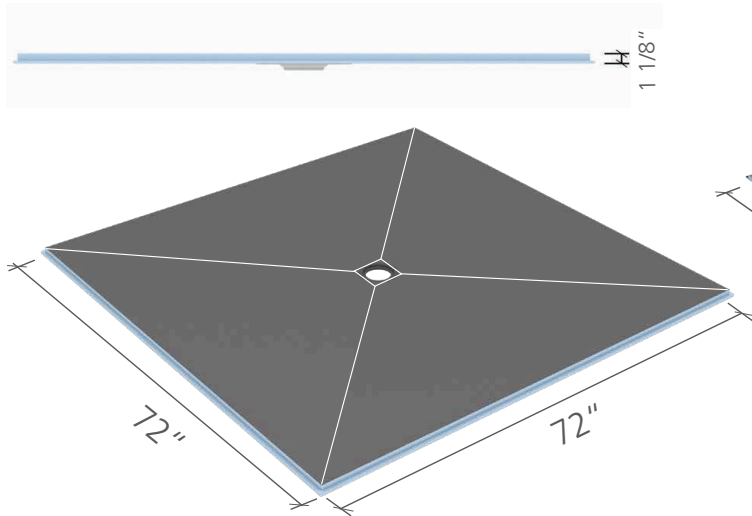
US9200009



wedi Fundo® Curbless Shower Base ■ Technical Drawings

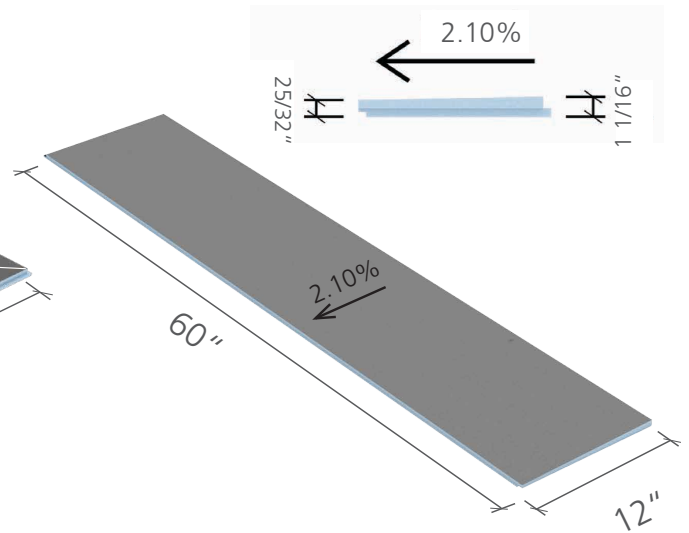
i White lines indicate where slope fields meet on shower base.

wedi Fundo® Curbless Shower Base
72 in. x 72 in. x 3/4 in. US9200010



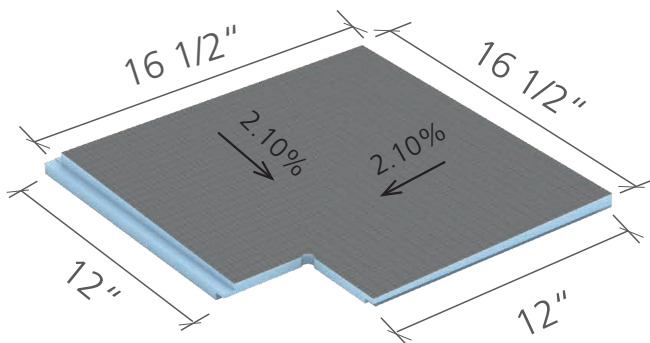
wedi® Curbless Shower Extension
12 in. x 60 in.
US3000035

The extension panel slopes from 1 1/16 in. to 25/32 in.



wedi® Curbless Shower Corner Extension
16 1/2 in. x 16 1/2 in. x 1 1/16 in.
US3000052

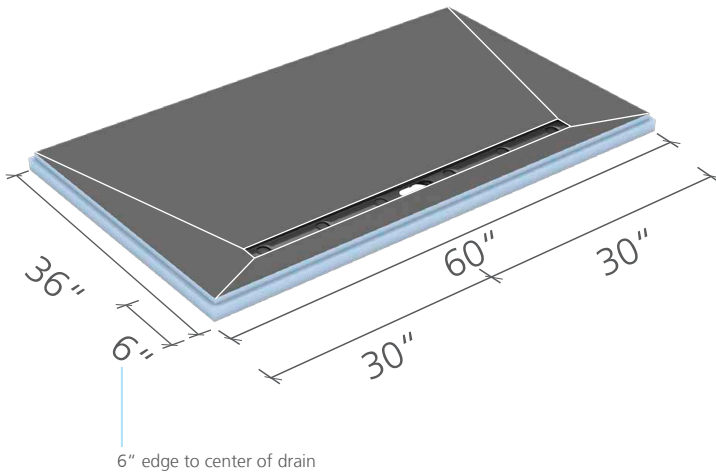
Corner cut out measures
4 in. x 4 in.



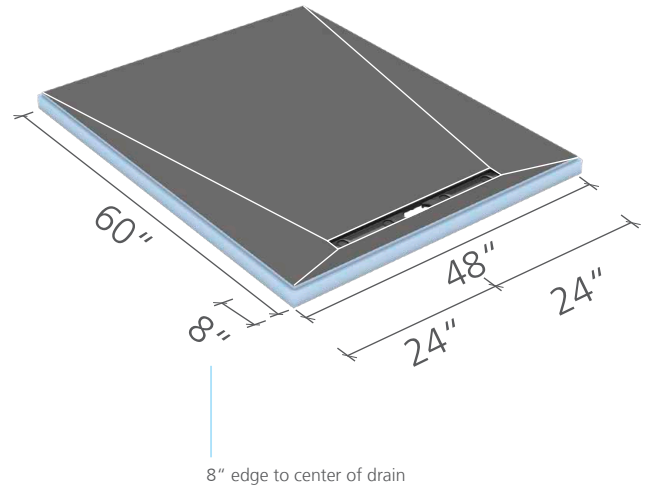
wedi Fundo® Linear Shower Base ■ Technical Drawings

i White lines indicate where slope fields meet on shower base.

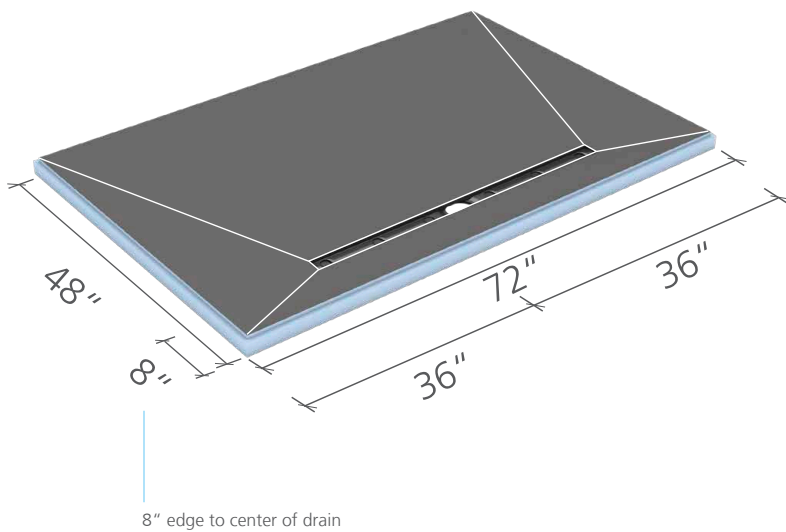
wedi Fundo® Linear Shower Base
 36 in. x 60 in. x 2 in.
 Channel Length: 43 19/64 in.
 US9310001 (4-way slope)



wedi Fundo® Linear Shower Base
 48 in. x 60 in. x 2 1/2 in.
 Channel Length: 27 19/32 in.
 US9310002 (4-way slope)

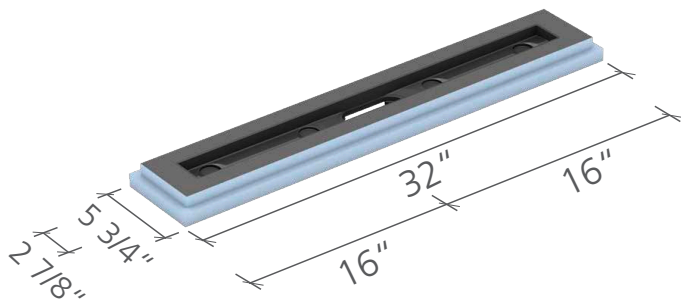


wedi Fundo® Linear Shower Base
 48 in. x 72 in. x (2 3/8 in.)
 Channel Length: 43 19/64 in.
 US9310003 (4-way slope)

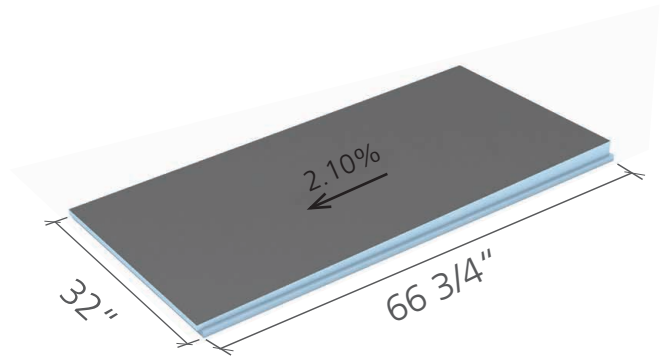
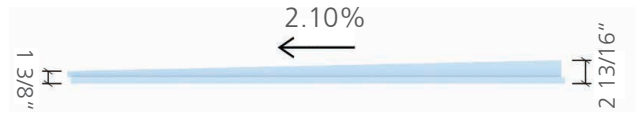


wedi Fundo® Linear Shower Modules & Extensions ■ Technical Drawings

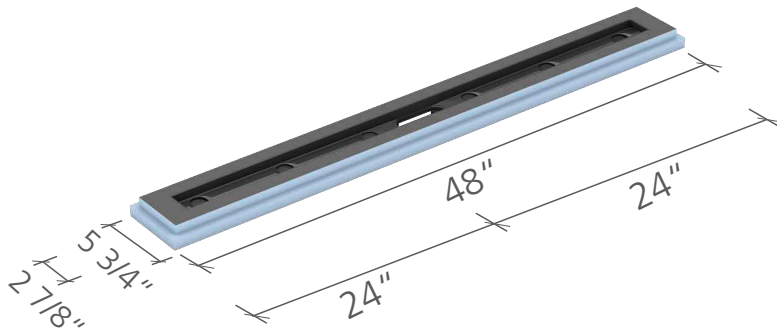
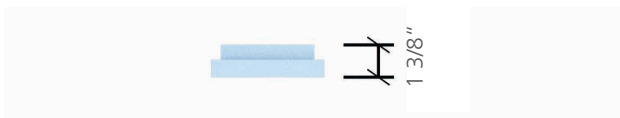
wedi Fundo® Linear Shower Module 32"
 32 in. x 5 3/4 in.
 Channel Length: 27 19/32 in.
 US9320001



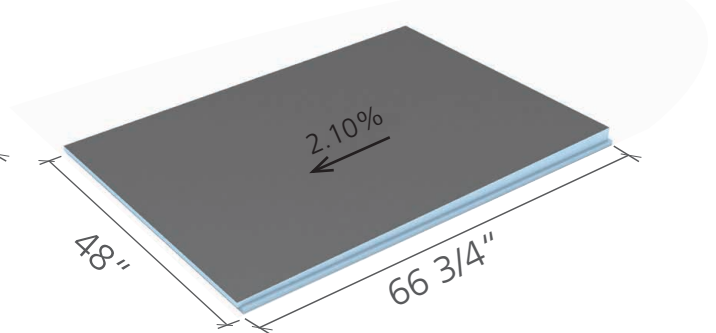
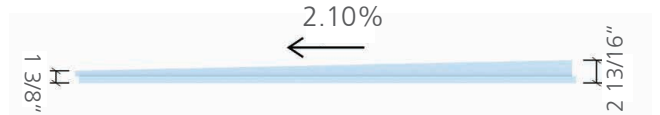
wedi Fundo® Linear Shower Extension 32"
 32 in. x 66 3/4 in.
 075100050



wedi Fundo® Linear Shower Module 48"
 48 in. x 5 3/4 in.
 Channel Length: 43 19/64 in.
 US9320002



wedi Fundo® Linear Shower Extension 48"
 48 in. x 66 3/4 in.
 075100051



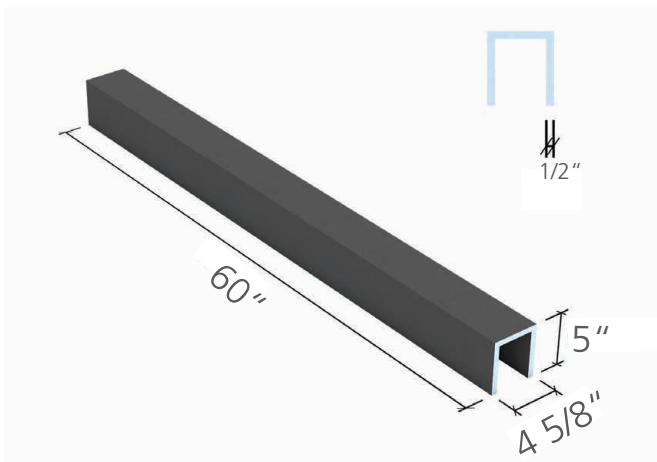
wedi® Shower Curb ■ Technical Drawings

wedi® Shower Curb Cap 60"

exterior: 5 in. (H) x 4 5/8 in. (W) x 60 in. (L)

interior: 4 1/2 in. (H) x 3 5/8 in. (W)

US3000008

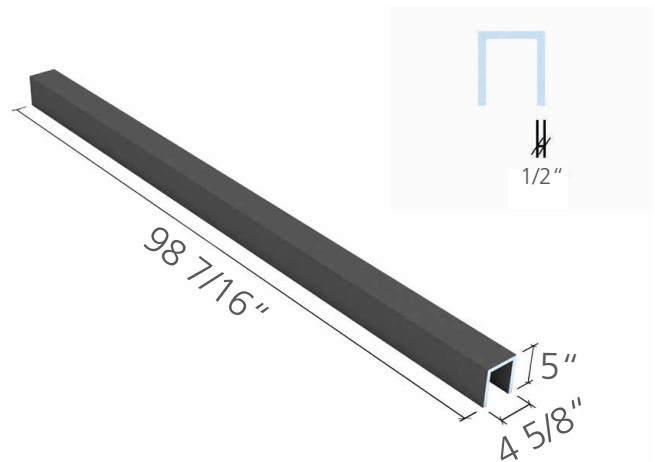


wedi® Shower Curb Cap 96"

exterior: 5 in. (H) x 4 5/8 in. (W) x 98 7/16 in. (L)

interior: 4 1/2 in. (H) x 3 5/8 in. (W)

US3000010

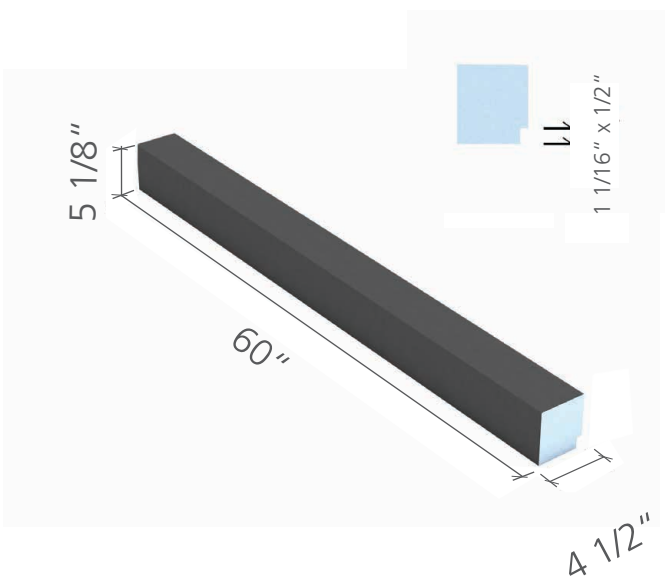


wedi® Shower Curb 60"

5 1/8 in. (H) x 4 1/2 in. (W) x 60 in. (L);

sloped top 1/8 in./ft.

US3000039

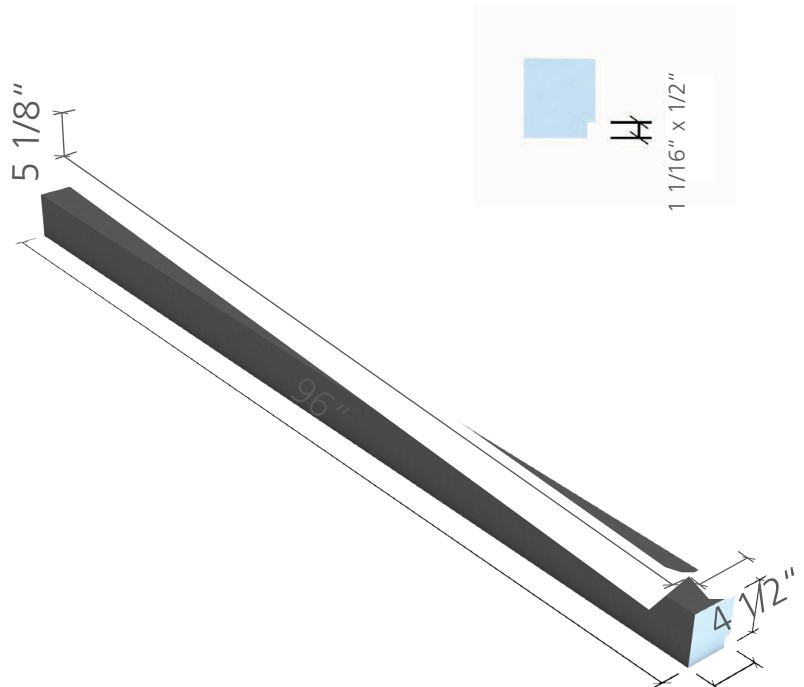


wedi® Shower Curb 96"

5 1/8 in. (H) x 4 1/2 in. (W) x 96 in. (L);

sloped top 1/8 in./ft.

US3000041



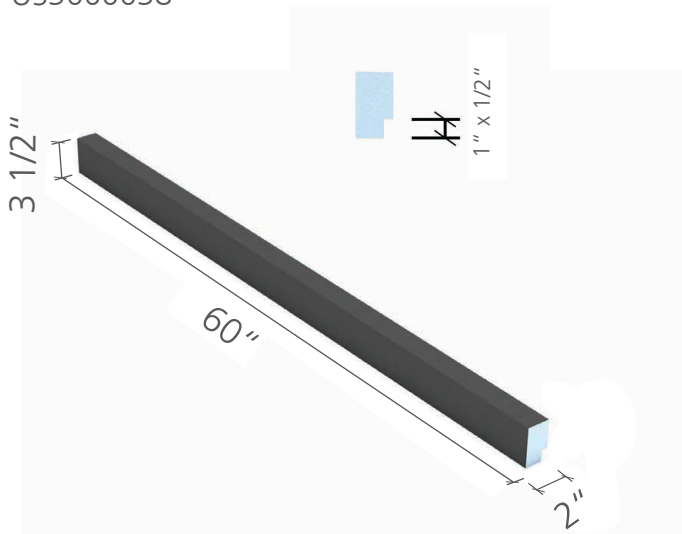
wedi® Shower Curb ■ Technical Drawings

wedi® Shower Curb Lean 60"

3 1/2 in. (H) x 2 in. (W) x 60 in. (L);

sloped top 1/8 in./ft.

US3000038

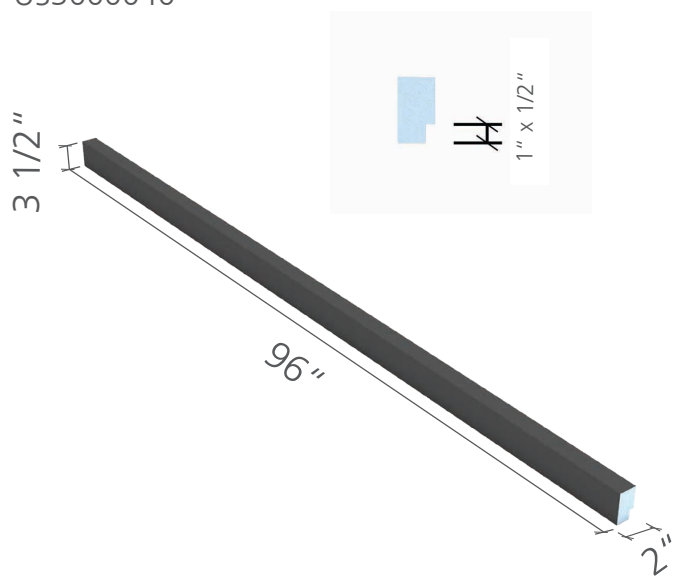


wedi® Shower Curb Lean 96"

3 1/2 in. (H) x 2 in. (W) x 96 in. (L);

sloped top 1/8 in./ft.

US3000040

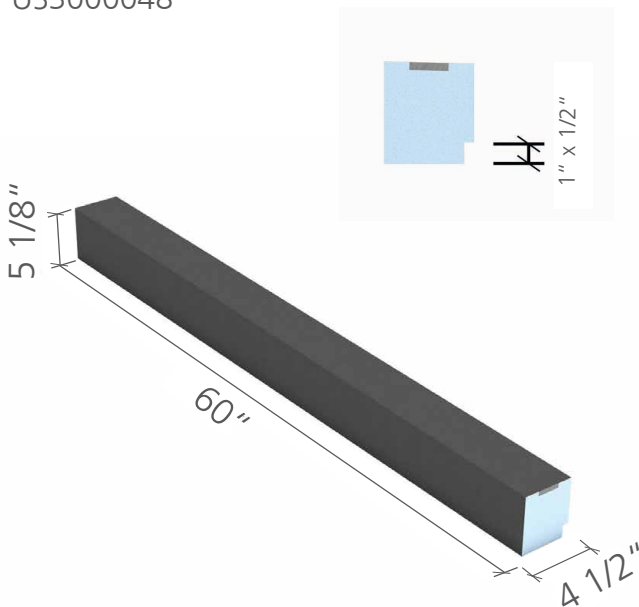


wedi® Shower Curb AT 60"

5 1/8 in. (H) x 4 1/2 in. (W) x 60 in. (L);

sloped top 1/8 in./ft.

US3000048

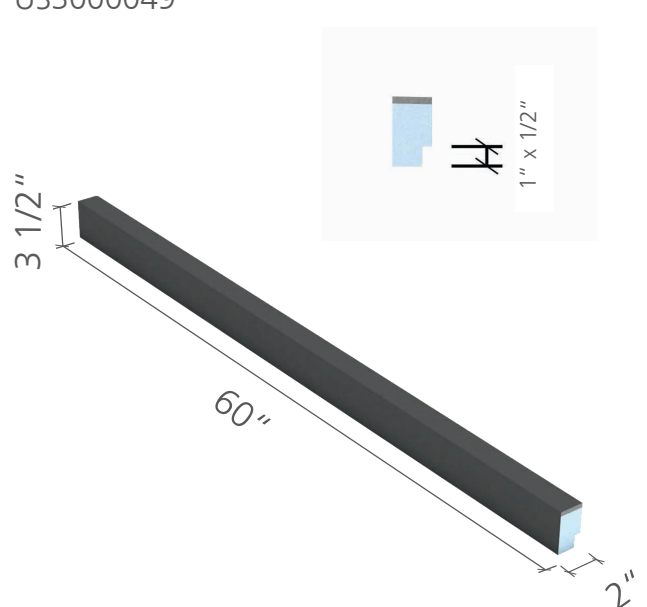


wedi® Shower Curb Lean AT 60"

3 1/2 in. (H) 2 in. (W) x 60 in. (L);

sloped top 1/8 in./ft.

US3000049



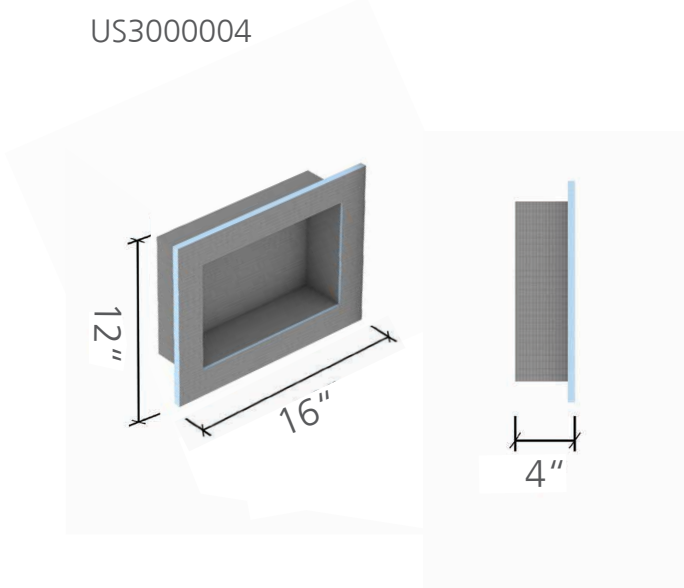
wedi® Shower Niche ■ Technical Drawings

wedi® Shower Niche 16"x12"

16 in. x 12 in. x 4 in. (ext.)

12 in. x 8 in. x 3 1/2 in. (int.)

US3000004

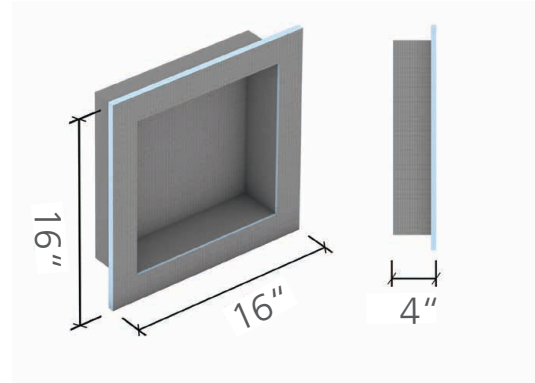


wedi® Shower Niche 16"x16"

16 in. x 16 in. x 4 in. (ext.)

12 in. x 12 in. x 3 1/2 in. (int.)

US3000005

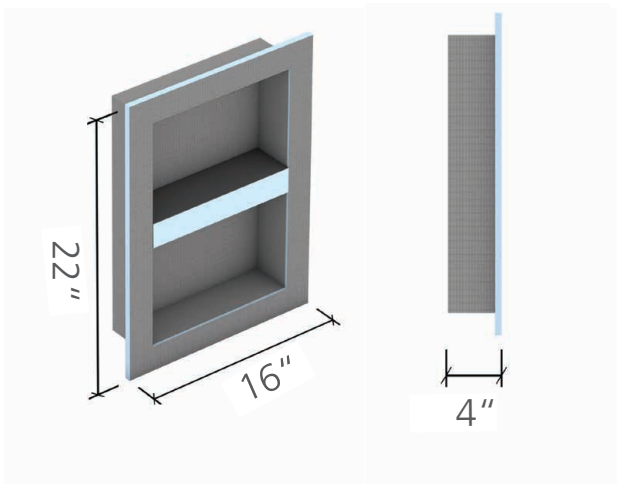


wedi® Shower Niche 16"x22"

16 in. x 22 in. x 4 in. (ext.)

12 in. x 18 in. x 3 1/2 in. (int.)

US3000007

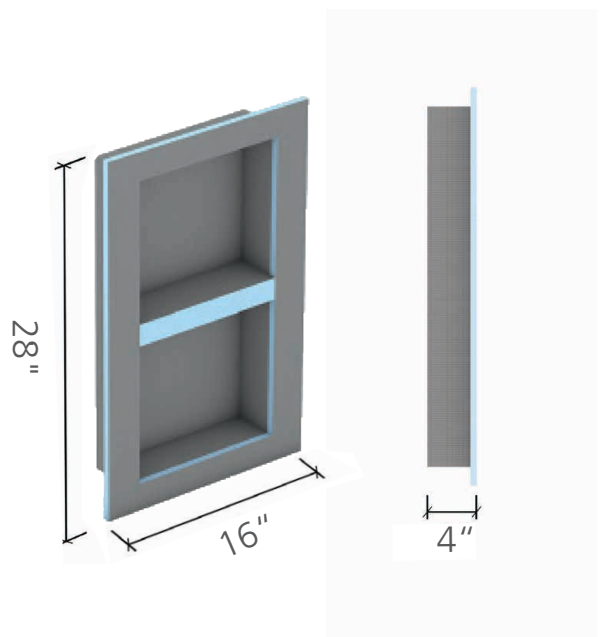


wedi® Shower Niche 16"x28"

16 in. x 28 in. x 4 in. (ext.)

12 in. x 24 in. x 3 1/2 in. (int.)

US3000248



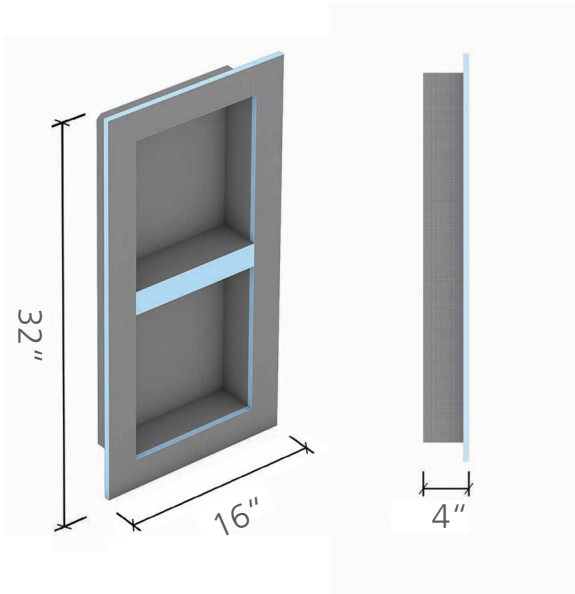
wedi® Shower Niche ■ Technical Drawings

wedi® Shower Niche 16"x32"

16 in. x 32 in. x 4 in. (ext.)

12 in. x 28 in. x 3 1/2 in. (int.)

US3000051

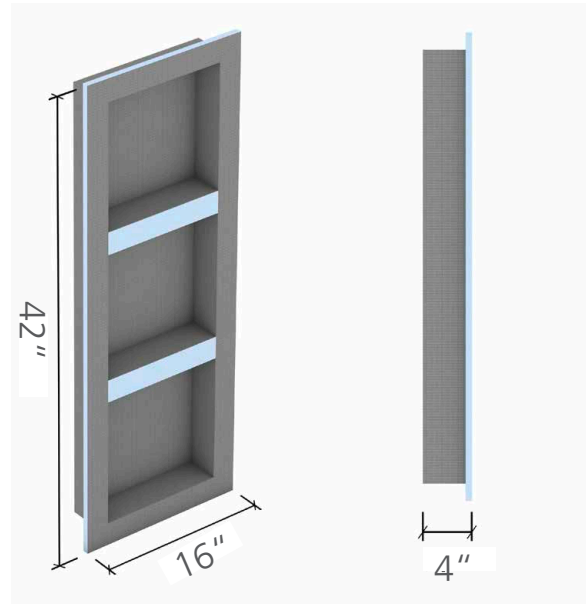


wedi® Shower Niche 16"x42"

16 in. x 42 in. x 4 in. (ext.)

12 in. x 38 1/4 in. x 3 1/2 in. (int.)

US3000024

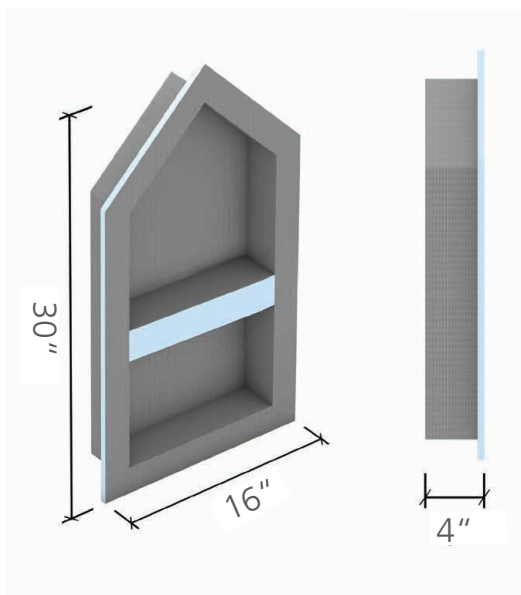


wedi® Shower Niche 16"x30" CAT

16 in. x 30 in. x 4 in. (ext.)

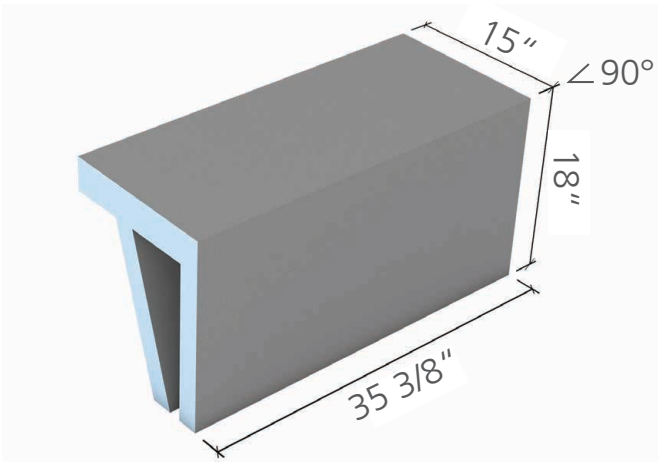
12 in. x 26 in. x 3 1/2 in. (int.)

US3000016

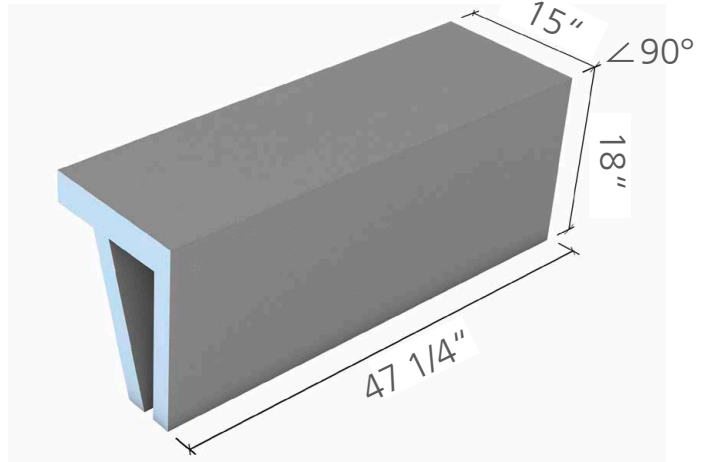


wedi Sanoasa® Shower Bench ■ Technical Drawings

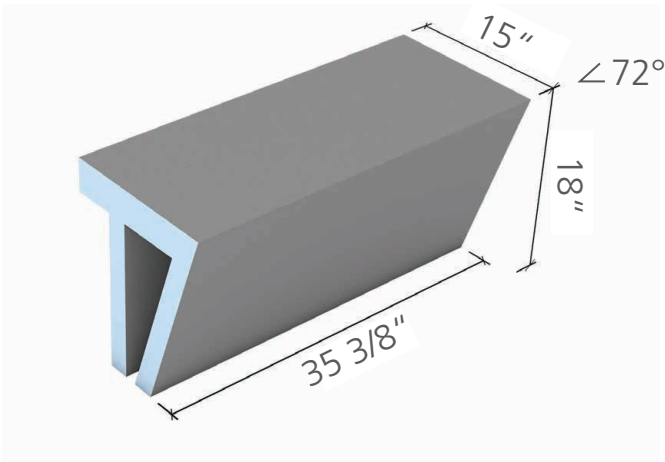
wedi Sanoasa® Shower Bench 1 M
35 3/8 in. x 18 in. x 15 in.; sloped top 1%
US3000042



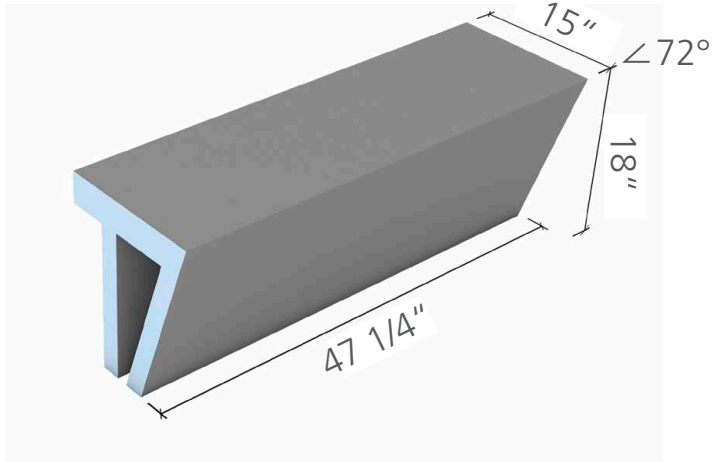
wedi Sanoasa® Shower Bench 1 L
47 1/4 in. x 18 in. x 15 in.; sloped top 1%
US3000043



wedi Sanoasa® Shower Bench 2 M
35 3/8 in. x 18 in. x 15 in.; sloped top 1%
US3000044

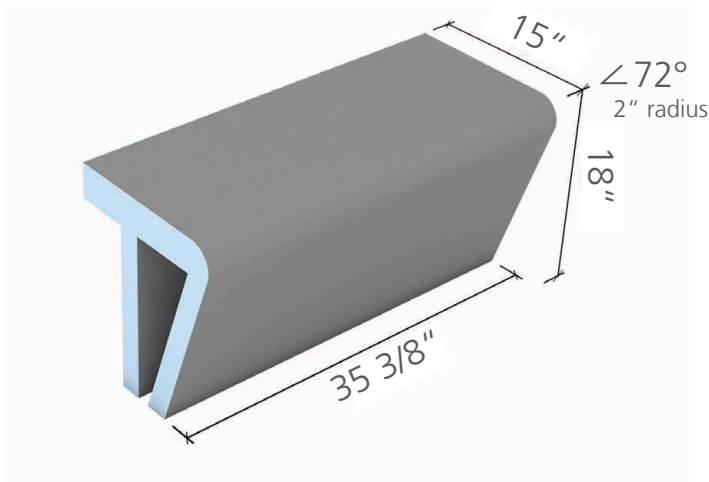


wedi Sanoasa® Shower Bench 2 L
47 1/4 in. x 18 in. x 15 in.; sloped top 1%
US3000045

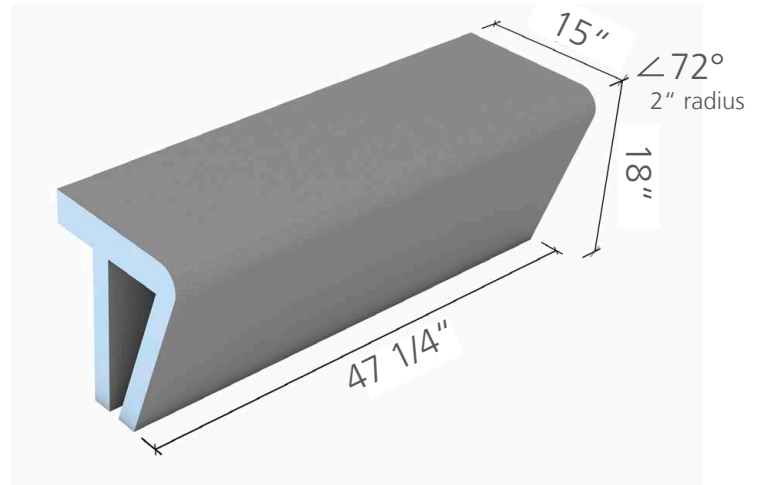


wedi Sanoasa® Shower Seat and Bench ■ Technical Drawings

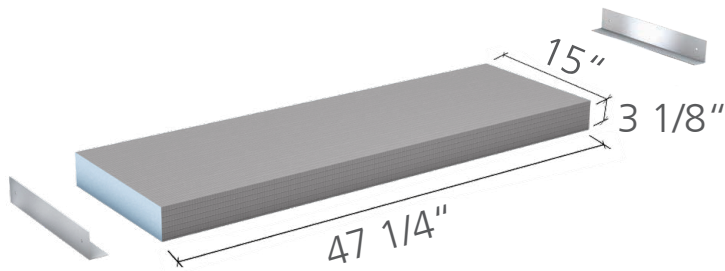
wedi Sanoasa® Shower Bench 3 M
35 3/8 in. x 18 in. x 15 in.; sloped top 1%
US3000046



wedi Sanoasa® Shower Bench 3 L
47 1/4 in. x 18 in. x 15 in.; sloped top 1%
US3000047



wedi Sanoasa® Shower Bench 4
47 1/4 in. x 3 1/8 in. x 15 in.; sloped top 1%
US3000000



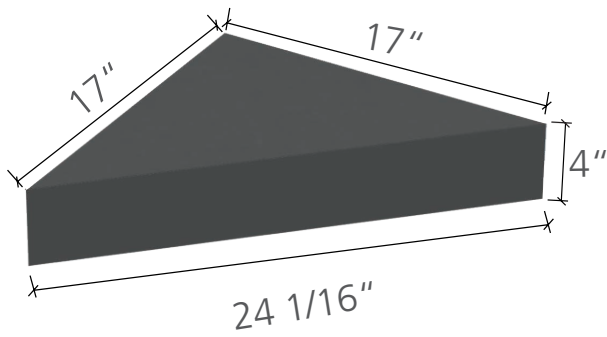
wedi® Shower Seat and Bench ■ Technical Drawings

wedi® Shower Seat M

17 in. x 17 in. (wall sides) x 4 in.;

sloped 1% to front

US3000001

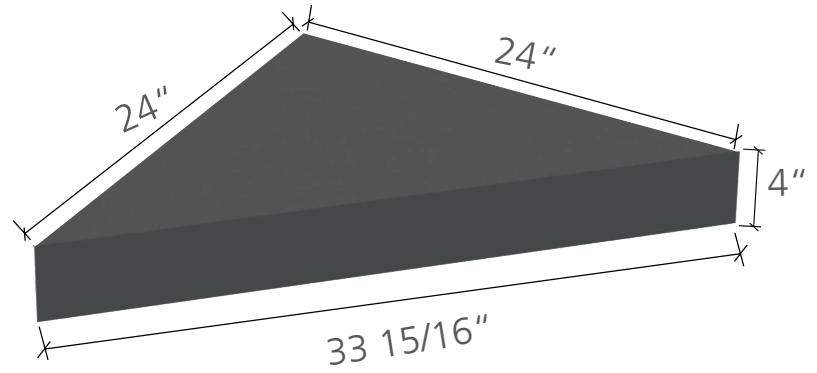


wedi® Shower Seat L

24 in. x 24 in. (wall sides) x 4 in.;

sloped 1% to front

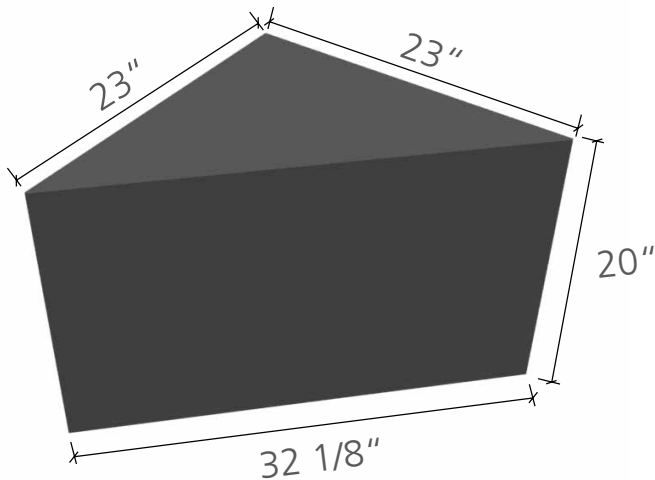
US3000002



wedi® Shower Corner Bench

23 in. x 23 in. (sides) x 20 in.;

sloped 1/8 in. to front.



Services and Added Value

Are you curious where to purchase wedi products? Head over to www.wedicorp.com and click on “where to buy wedi” to find your local wedi distributor or retailer, or give us a call today.

The value of strong partnerships is shown in the added value of our products and support.

For contractors / professional installers

- wedi offers comprehensive and accessible retail pricing in its catalogs which works with simple and competitive discounts provided to contractors.
- All products are internally waterproof through their core and throughout the entire shower installation system.
- wedi product systems are prefabricated to the maximum practical extent, while still allowing easy onsite customization and installation.
- wedi’s unique warranty programs for 10,15, or 20 years protect you where it matters in your projects.
- wedi offers first time on site assistance when you install a new wedi product system. We also offer local certification classes and regional wedi PRO Certification classes for extensive training around safe shower system installation.



For builders & architects

- Have a fast track project or facing delays? wedi can help achieve your construction schedule.
- wedi’s sales support managers can schedule with your firm to set up CEU classes nationwide.
- Do you have ambitious designs? wedi offers custom shower pans and products, with custom installation manuals to help achieve your design while maintaining the wedi warranty.
- wedi’s master specification booklet, BIM library, and technical data sheets on www.wedicorp.com and on www.BIMobjects.com will help assist the specification process.
- wedi’s sales support managers will help you plan, budget, and schedule your project.



For wholesalers & retailers

- wedi offers comprehensive and accessible retail pricing in its catalogs, which works with simple and competitive discounts provided to dealers and distributors.
- Our entire company and sales support team is focused on shower systems, and we are in the field to train your customers.
- We constantly offer innovative new products.
- wedi offers a wide assortment of show room and point of purchase support to assist your team with sales, marketing and project planning with your customers.
- Our product solutions feature a simple mix of components with attractive packaging - keeping your warehouse inventory lean and ensuring a safe and efficient order picking process.
- wedi’s premium quality products and services are made in the USA and Germany.



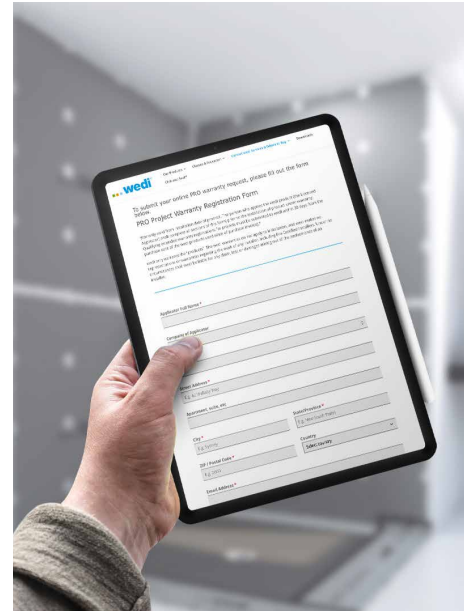
wedi Added Value Services

wedi Warranty and Warranty Extension

wedi provides a unique, strong and very comprehensive 10-Year General Warranty that addresses true risks and damages that may originate from a defective product. A copy of wedi's Warranty can be found on our website at: <https://wedicorp.com/wedi-warranty/>

In addition to our standard 10-Year General Warranty, wedi offers an extended 15 or 20-Year Warranty available to cover projects registered by wedi Certified Installer PROs.

- wedi's performance shower systems, unprecedented warranty coverage, and service all combined for wedi installers
- Sign up for wedi PRO certification classes and enjoy wedi's 15 or 20-year full package warranty options*.
- PRO warranty extensions will require online registration, which can be done by visiting our website at: <https://wedicorp.com/wedi-warranty/>



wedi Certified Installer and Certified Installer PRO Program

Ready to take your installations to the next level? Attend or request a wedi Certified Installer Workshop! wedi will visit distributor locations and host a standard workshop (completely free of charge!) going over wedi basic installations and certification. A local wedi Technical Sales Support Manager will provide a full installation demonstration, answer any installation or product questions you may have, and get you wedi certified! All attendees will become wedi Certified upon completion of the course. You can contact your local wedi TSSM to schedule a workshop now!

In addition to our standard workshop, wedi also offers a Certified Installer PRO workshop. Completion of a PRO workshop will qualify you to apply for the warranty extension mentioned above, for up to 20 years. For more information on wedi's PRO workshops, please visit: <https://wedicorp.com/pro-signup/>



Scan this QR code now to visit our workshop calendar, and check out the next upcoming workshop dates!

To learn more about wedi's warranty, the PRO warranty extensions or to register a PRO warranty project, please visit: <https://wedicorp.com/wedi-warranty/>



wedi Added Value Services

wedi First Time Job Assistance Program

Are you an industry professional interested in becoming a wedi Certified Installer and receiving 1-on-1, in-person, on-site job assistance? Our dedicated technical sales managers will attend your first job site with you and assist you with the install, absolutely free of charge! Your local wedi TSSM will help you install all elements of your project safely and correctly ensuring the wedi warranty is intact, provide insider information to help you get the job done efficiently, assist with a flood testing, and provide information to help you get the most out of wedi's product system.

You will receive a wedi Certification upon completion of the installation, so that you are ready to take on your next project immediately!

First Time Job Assistance must be applied for on wedi's website to ensure a Technical Sales Manager will be available to assist. Our TSSMs often have tightly packed schedules, so we ask that you apply early with at least 2 week notice for scheduling. In order to apply, you'll need to ensure your job site meets our criteria for assistance. You can learn more about what is needed on the job site by reviewing our First Time Job Assistance application on wedi's website.

Have questions about wedi's First Time Job Assistance? Visit our website to send us a contact message or give us a call today!



If you are ready to sign up for First Time Job Assistance now, visit <https://wedicorp.com/contractor-first-time-job-assistance/> Or scan code!



Have a wedi TSSM onsite to help you install with confidence!

Before



After



wedi Added Value Services

wedi Authorized Dealer & Authorized Wholesale Distributor Program

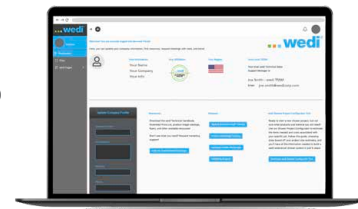
When it comes to choosing the best waterproofing system for custom tiled showers, wedi's 40 years of experience as a market leading premium brand speaks for itself.

wedi offers an added value program for dealers and distributors! Every day, new customers approach wedi and ask where they can purchase our premium products from. By becoming a wedi Authorized Dealer or Authorized Wholesale Distributor, we can direct those customers to you!

By becoming a partner with wedi, you will gain access to wedi's support and



- ✓ Local wedi Technical Sales Support Managers will help get you set up with marketing displays and sales supporting tools, as well as train your sales team on our "wedi in 5 steps" sales and shower project selection process. We follow up when new products arrive or when you are onboarding new showroom personnel.
- ✓ Gain access to the new wedi Portal experience, customized specifically for dealers.
- ✓ Receive access to our "wedi in 5 steps" shower configurator tool to simplify job quotes and orders.
- ✓ Receive updates on new wedi tools and products immediately.
- ✓ Access wedi's Product Image Catalog and copy for your website or campaigns.
- ✓ Receive contact regarding our training and certification programs such as our 1- or 2-day wedi PRO certification classes.
- ✓ Receive leads and customers through premium placement on wedi's "Where to buy wedi" locator on www.wedicorp.com.



To become a partner, you'll need to apply on our website. Once your application has been approved, wedi will send you a welcome box, including an Authorized Dealer or Authorized Wholesale Distributor sticker for your store's front door, and an access invitation to the wedi Portal! For questions about these programs, please contact your local wedi Technical Sales Support Manager.

Contact information for wedi's Technical Sales Support Managers can be found on our website at: www.wedicorp.com/contact-local-wedi-services/

Ready to become a wedi Authorized Dealer?

Scan code to apply!

Or visit:
wedicorp.com/authorized-dealer-signup



Ready to become a wedi Authorized Wholesale Distributor?

Scan code to apply!

Or visit:
wedicorp.com/authorized-dealer-signup



Product Order Information

i Retail Price column reflects suggested per piece/unit retail pricing in USD.

Scan code to view
current installation
manuals and videos



Shower Bases

wedi Fundo® Shower Base ■ Waterproofing system for tiled shower floors with center or off-center point drain

	Drain Location	Dimensions	Unit	Item #
	Center Drain	36 in. x 36 in.	1 pc	US9100001
	Center Drain	36 in. x 48 in.	1 pc	US9100002
	Center Drain	36 in. x 60 in.	1 pc	US9100004
	Off-Center Drain	36 in. x 72 in.	1 pc	US9100005
	Center Drain	36 in. x 72 in.	1 pc	US9100006
	Center Drain	42 in. x 42 in.	1 pc	US9100017
	Center Drain	42 in. x 60 in.	1 pc	US9100007
	Center Drain	42 in. x 72 in.	1 pc	US9100008
	Center Drain	48 in. x 48 in.	1 pc	US9100003
	Center Drain	48 in. x 60 in.	1 pc	US9100009
	Center Drain	48 in. x 72 in.	1 pc	US9100010
	Center Drain	48 in. x 84 in.	1 pc	US9100014
	Center Drain	60 in. x 60 in.	1 pc	US9100011

i wedi® Fundo Click and Seal® Drain Kit is included with each shower base. **Drain covers are sold separately.**
Shower bases made in Germany.

i For options and pricing, refer to wedi's Illustrated Price List or www.wedicorp.com.

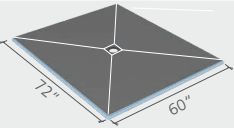
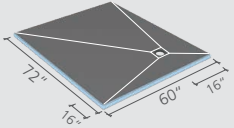
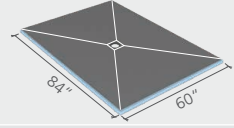
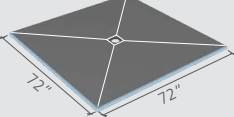
i Retail Price column reflects suggested per piece/unit retail pricing in USD.

Scan code to view
current installation
manuals and videos



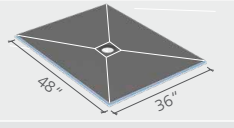
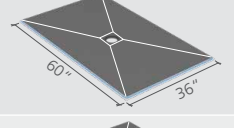
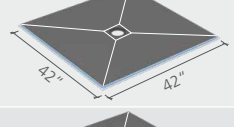
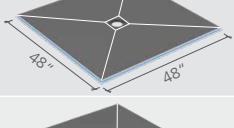
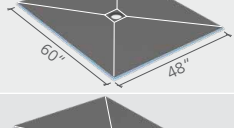
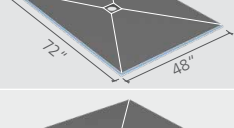
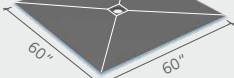
Shower Bases

wedi Fundo® Shower Base ■ Continued

	Drain Location	Dimensions	Unit	Item #
	Center Drain	60 in. x 72 in.	1 pc	US9100012
	Corner, Off-center	60 in. x 72 in.	1 pc	US9100013
	Center Drain	60 in. x 84 in.	1 pc	US9100015
	Center Drain	72 in. x 72 in.	1 pc	US9100016

i wedi® Fundo Click and Seal® Drain Kit is included with each shower base. **Drain covers are sold separately.**
Shower bases made in Germany.

wedi Fundo® Curbless Shower Base ■ Waterproofing system for tiled curbless shower floors with point drain

	Drain Location	Dimensions	Unit	Item #
	Center Drain	36 in. x 48 in.	1 pc	US9200001
	Center Drain	36 in. x 60 in.	1 pc	US9200003
	Center Drain	42 in. x 42 in.	1 pc	US9200006
	Center Drain	48 in. x 48 in.	1 pc	US9200002
	Center Drain	48 in. x 60 in.	1 pc	US9200004
	NEW Center Drain*	48 in. x 72 in.	1 pc	US9200008
	Center Drain	60 in. x 60 in.	1 pc	US9200005

i wedi® Fundo Click and Seal® Drain Kit is included with each shower base. **Drain covers are sold separately.**
Shower bases made in Germany. *Available after February 2024.

i For options and pricing, refer to wedi's Illustrated Price List or www.wedicorp.com.

i Retail Price column reflects suggested per piece/unit retail pricing in USD.

Scan code to view
current installation
manuals and videos



Shower Bases

wedi Fundo® Curbless Shower Base ■ Continued

	Drain Location	Dimensions	Unit	Item #
	NEW Center Drain	60 in. x 72 in.	1 pc	US9200009
	NEW Center Drain	72 in. x 72 in.	1 pc	US9200010

i wedi® Fundo Click and Seal® Drain Kit is included with each shower base. **Drain covers are sold separately.**
Shower bases made in Germany.
*Available after February 2024.

wedi Fundo® Linear Shower Base ■ Waterproofing system for tiled shower floors with linear drain

	Surface Design	Dimensions	Channel Length	Unit	Item #
	4-sided Slope	36 in. x 60 in.	43 5/16 in.	1 pc	US9310001
	4-sided Slope	48 in. x 60 in.	27 1/2 in.	1 pc	US9310002
	4-sided Slope	72 in. x 48 in.	43 5/16 in.	1 pc	US9310003

i wedi® Fundo Click and Seal® Drain Kit is included with each shower base. **Drain covers are sold separately.**
Shower bases made in Germany.

wedi Fundo® Linear Drain Shower Modules ■ Waterproofing system for tiled shower floors with linear drain

	Item Name	External Dimensions Length x Width x Height	Channel Length	Unit	Item #
	wedi Fundo® Linear Shower Module 32"	32 in. x 5 3/4 in. Line Module Height/Thickness: 1 3/8 in.	27 19/32 in.	1 pc	US9320001
	wedi Fundo® Linear Shower Module 48"	48 in. x 5 3/4 in. Line Module Height/Thickness: 1 3/8 in.	43 19/64 in.	1 pc	US9320002
	wedi Fundo® Linear Shower Extension 32"	66 3/4 in. x 32 in. Extension Module Height/ Thickness: 1 3/8 in. – 2 3/16 in.	–	1 pc	075100050
	wedi Fundo® Linear Shower Extension 48"	66 3/4 in. x 48 in. Extension Module Height/ Thickness: 1 3/8 in. – 2 3/16 in.	–	1 pc	075100051

i wedi® Fundo Click and Seal® Drain Kit is included with each line module. **Drain covers are sold separately.**
Shower bases made in Germany.

i For options and pricing, refer to wedi's Illustrated Price List or www.wedicorp.com.

i Retail Price column reflects suggested per piece/unit retail pricing in USD.

Scan code to view
current installation
manuals and videos



Building Panels

wedi® Building Panels ■ Waterproof tile backer board

	Main Application	Width x Length x Thickness	Unit	Item #
	Backsplash, tub decks, floors, under mosaic strips in field tile designs	24 in. x 48 in. x 1/8 in.	10 sheets/box	US8000006*
	Wall panel	36 in. x 60 in. x 1/2 in.	50 sheets/pallet	US8000017
	Tub decks, floors, with electric radiant heat	48 in. x 60 in. x 1/4 in.	25 sheets/pallet	US8000013
	Wall panel	48 in. x 60 in. x 1/2 in.	50 sheets/pallet	US8000014
	Wall panel, aligns with 5/8 in. drywall	48 in. x 60 in. x 5/8 in.	4 sheets/box	US8000011
	Wall panel, aligns with 5/8 in. drywall	48 in. x 60 in. x 5/8 in.	50 sheets/pallet	US8000021
	Floor panel, aligns with wedi Fundo® Curbless Shower Base to create extension to bathroom floor	48 in. x 60 in. x 3/4 in.	4 sheets/box	US8000018
	Wall panel, lines up with floated walls	48 in. x 60 in. x 1 in.	4 sheets/box	US8000022
	Constructing benches, floors to line up with wedi Fundo® Shower Base into bathroom	48 in. x 60 in. x 1 1/2 in.	2 sheets/box	US8000019
	Constructing benches and suspended seats, freestanding walls and partitions	48 in. x 60 in. x 2 in.	2 sheets/box	US8000020
	Wall panel	48 in. x 96 in. x 1/2 in.	4 sheets/box	US8000010
	Wall panel Best value!	48 in. x 96 in. x 1/2 in.	50 sheets/pallet	US8000015 (pallet)
Constructing benches and suspended seats, freestanding walls and partitions	48 in. x 96 in. x 2 in.	12 sheets/pallet	US8000016	

i Several sizes are available for ordering at smaller quantities upon request. Can be purchased as individual sheets at wholesalers.

Made in USA.

*Made in Germany.

wedi® Vapor 85 ■ Building Panel for Steam Rooms / Showers

	Item Name	Width x Length x Height	Unit/Pallet	Item #	Description
	wedi® Vapor 85 48"x96"x1/2"	48 in. x 96 in. x 1/2 in.	50 sheets/pallet	US8000026	Vaporproof tile backer board
	wedi® Vapor 85 Fastener Patch Kit	3 in. x 3 in. squares	100 pieces/bag	US5000089	100 ct fastener patch kit for Vapor 85 installations

i Use in conjunction with our wedi® Sealant 620, wedi® Tabless Fastener Kit and wedi® Subliner Dry Sealing Tape.

Made in USA.

i For options and pricing, refer to wedi's Illustrated Price List or www.wedicorp.com.

i Retail Price column reflects suggested per piece/unit retail pricing in USD.

Scan code to view
current installation
manuals and videos



Shower Extensions

wedi® Shower Extensions

	Item Name	Width × Length × Thickness	Unit	Item #	Description
	wedi® Shower Extension 24" x 48"	24 in. x 48 in. sloped 1/4 in./ft	1 pc	073783528	Sloped extensions for use with wedi Shower Base adding 23 1/2 inches of sloped surface along one 48 inch long side
	wedi® Shower Extension 12" x 72"	12 in. x 72 in. sloped 1/4 in./ft	1 pc	US3000036	Sloped extensions for use with wedi Shower Base adding 12 inches of sloped surface along one 72 inch long side
	wedi® Curbless Shower Extension 12" x 60"	12 in. x 60 in. sloped 1/4 in./ft	1 pc	US3000035	Sloped extensions for use with wedi Curbless Shower Base adding 12 inches of sloped surface along one 60 inch long side
	wedi® Shower Corner Extension*	16 1/2 in. x 16 1/2 in. x 1 13/16 in. sloped min. 1/4 in. /ft. (2.1%)	1 pc	US3000053	Sloped corner extension for use with wedi Shower Base adding 12 inches of sloped surface on two sides (total square size 16 1/2 in. x 16 1/2 in.)
	wedi® Curbless Shower Corner Extension*	16 1/2 in. x 16 1/2 in. x 1 1/16 in. sloped min. 1/4 in. /ft. (2.1%)	1 pc	US3000052	Sloped corner extension for use with wedi Curbless Shower Base adding 12 inches of sloped surface on two sides (total square size 16 1/2 in. x 16 1/2 in.)

Made in Germany.

Shower Ramp

wedi® Shower Ramp

	Item Name	Length × Depth × Height	Unit	Item #	Description
	wedi® Shower Ramp 16" x 60"*	16 in. x 60 in., sloped 1 1/2 in. to 1/4 in.	1 pc	073736517	Sloped and waterproof ADA compliant tileable Ramp providing 16 inches of sloped surface along a 60 inch width of a shower entry ramp design

i * ADA compliant
Made in Germany.

i For options and pricing, refer to wedi's Illustrated Price List or www.wedicorp.com.

i Retail Price column reflects suggested per piece/unit retail pricing in USD.

Scan code to view
current installation
manuals and videos



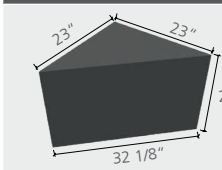
Shower Seats & Benches

wedi® Shower Seats ■ Suspended Corner Seats

	Item Name	Length x Width x Height	Unit	Item #	Description
	wedi® Shower Seat M	17 in. x 17 in. (wall sides) x 4 in.	1 pc	US3000001	Wall-suspended Corner Seat 17x17 (wall sides) x 24 1/16 (across front) x 4 inch thick
	wedi® Shower Seat L	24 in. x 24 in. (wall sides) x 4 in.	1 pc	US3000002	Wall-suspended Corner Seat 24x24 (wall sides) x 33 15/16 (across front) x 4 inch thick

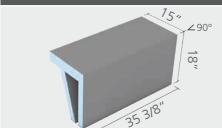
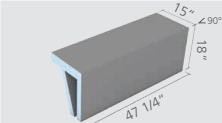
- i** wedi® Joint Sealant is included for adhesion
- Self-adhesive fiberglass mesh tape is included for the wall connection
- Made in Germany.

wedi® Shower Corner Bench ■ Full Foam Triangular Bench

	Item Name	Length x Width x Height	Unit	Item #	Description
	wedi® Shower Corner Bench	23 in. x 23 in. (sides) x 20 in.	1 pc	073784101	Floor-mounted shower bench/seat 23x23 (wall sides) x 32 1/8 (across front) x 20 inches tall

- i** wedi® Shower Corner Bench is made of solid XPS foam. These units are pre-made and ready for thinset installation against walls and feature a 1/8 inch slope to the front.
- Made in Germany.

wedi Sanoasa® Shower Bench 1

	Item Name	Width x Height x Depth	Unit	Item #	Description
	wedi Sanoasa® Shower Bench 1 M	35 3/8 in x 18 in. x 15 in. 90 degree straight front/top transition	1 pc	US3000042	Shower Bench with sloped seat surface and square design 35 3/8 x 18 x 15 in. (WxHxD)
	wedi Sanoasa® Shower Bench 1 L	47 1/4 in. x 18 in. x 15 in. 90 degree straight front/top transition	1 pc	US3000043	Shower Bench with sloped seat surface and square design 47 1/4 x 18 x 15 in. (WxHxD)

- W** The bench is delivered in four parts: bench element, substructure element and two side elements. Bench top is sloped.
- wedi® Joint Sealant is included for adhesion, self-adhesive mesh tape is included for the wall/floor connection
- Made in Germany.

wedi Sanoasa® Shower Bench 2

	Item Name	Width x Height x Depth	Unit	Item #	Description
	wedi Sanoasa® Shower Bench 2 M	35 3/8 in x 18 in. x 15 in. 72 degree front/top straight transition	1 pc	US3000044	Shower Bench with sloped seat surface and angled design 35 3/8 x 18 x 15 in. (WxHxD)
	wedi Sanoasa® Shower Bench 2 L	47 1/4 in. x 18 in. x 15 in. 72 degree front/top straight transition	1 pc	US3000045	Shower Bench with sloped seat surface and square design 47 1/4 x 18 x 15 in. (WxHxD)

- W** The bench is delivered in four parts: Bench element, substructure element and two side elements. Bench top is sloped.
- wedi® Joint Sealant is included for adhesion, self-adhesive fiberglass mesh tape is included for the wall/floor connection
- Made in Germany.

i For options and pricing, refer to wedi's Illustrated Price List or www.wedicorp.com.

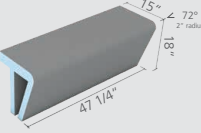
i Retail Price column reflects suggested per piece/unit retail pricing in USD.

Scan code to view
current installation
manuals and videos



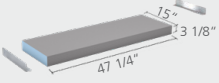
Shower Benches

wedi Sanoasa® Shower Bench 3

	Item Name	Width x Height x Depth	Unit	Item #	Description
	wedi Sanoasa® Shower Bench 3 M	35 3/8 in x 18 in. x 15 in. 72 degree front/ top front edge round transition (radius 2 in.)	1 pc	US3000046	Shower Bench with sloped seat surface and rounded design 35 3/8 x 18 x 15 in. (WxHxD)
	wedi Sanoasa® Shower Bench 3 L	47 1/4 in. x 18 in. x 15 in. 72 degree front/ top front edge round transition (radius 2 in.)	1 pc	US3000047	Shower Bench with sloped seat surface and rounded design 47 1/4 x 18 x 15 in. (WxHxD)

- The bench is delivered in four parts: Bench element, substructure element and two side elements. Bench top is sloped.
- wedi® Joint Sealant is included for adhesion, self-adhesive fiberglass mesh tape is included for the wall connection
- Made in Germany.

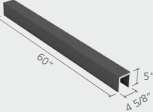

wedi Sanoasa® Shower Bench 4

	Item Name	Width x Height x Depth	Unit	Item #	Description
	wedi Sanoasa® Shower Bench 4	47 1/4 in. x 3 1/8 in. x 15 in.	1 pc	US3000000	Wall-suspended shower bench with sloped seat surface 47 1/4 x 3 1/8 x 15 in. (WxHxD)

- wedi® Joint Sealant is included for adhesion. Bench top is sloped. Self-adhesive fiberglass mesh tape is included for the wall connection
- Made in Germany.

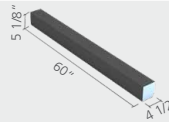

Curbs & Curb Caps

wedi® Shower Curb Cap

	Item Name	Height x Width x Length	Unit	Item #	Description
	wedi® Shower Curb Cap 60\"	5 in. x 4 5/8 in. x 60 in.	1 pc	US3000008	Curb cap with exterior dimensions 5 in. x 4 5/8 in. x 60 in. (H x W x L) to finish and waterproof over wooden 2 x 4 curb constructions
	wedi® Shower Curb Cap 96\"	5 in. x 4 5/8 in. x 98 7/16 in.	1 pc	US3000010	Curb cap with exterior dimensions 5 in. x 4 5/8 in. x 96 in. (H x W x L) to finish and waterproof over wooden 2 x 4 curb constructions

- i** Installation over 2 in. x 4 in. wood construction. CAUTION: **Do not allow Glass Door Assembly to penetrate Curb Cap. These units are not sloped on top surface. Tile or stone cover must be sloped to safely move water in direction of shower drain.**
Made in USA.

wedi® Shower Curb

	Item Name	Height x Width x Length	Unit	Item #	Description
	wedi® Shower Curb 60\"	5 1/8 in. x 4 1/2 in. x 60 in.	1 pc	US3000039	Sloped and pre-made curb with dimensions of 5 1/8 in. x 4 1/2 in. x 60 in. (H x W x L) for use with wedi Shower Bases
	wedi® Shower Curb 96\"	5 1/8 in. x 4 1/2 in. x 96 in.	1 pc	US3000041	Sloped and pre-made curb with dimensions of 5 1/8 in. x 4 1/2 in. x 96 in. (H x W x L) for use with wedi Shower Bases

- i** Sloped on top surface
Made in USA.

i For options and pricing, refer to wedi's Illustrated Price List or www.wedicorp.com.

i Retail Price column reflects suggested per piece/unit retail pricing in USD.

Scan code to view
current installation
manuals and videos



Curbs & Curb ATs

wedi® Shower Curb Lean

	Item Name	Height x Width x Length	Unit	Item #	Description
	wedi® Shower Curb Lean 60"	3 1/2 in. x 2 in. x 60 in.	1 pc	US3000038	Sloped and pre-made curb with dimensions of 3 1/2 in. x 2 in. x 60 in. (H x W x L) for use with wedi® Shower Bases
	wedi® Shower Curb Lean 96"	3 1/2 in. x 2 in. x 96 in.	1 pc	US3000040	Sloped and pre-made curb with dimensions of 3 1/2 in. x 2 in. x 96 in. (H x W x L) for use with wedi® Shower Bases

i Made in USA.

wedi® Shower Curb AT (Anchor Track)

	Item Name	Height x Width x Length	Unit	Item #	Description
	wedi® Shower Curb AT 60"	5 1/8 in. x 4 1/2 in. x 60 in.	1 pc	US3000048	Sloped and pre-made curb with integrated glass door anchor track in dimensions 5 1/8 in. x 4 1/2 in. x 60 in. (H x W x L)
	wedi® Shower Curb Lean AT 60"	3 1/2 in. x 2 in. x 60 in.	1 pc	US3000049	Sloped and pre-made curb with integrated glass door anchor track in dimensions 3 1/2 in. x 2 in. x 60 in. (H x W x L)

- i** wedi® Shower Curb AT with integrated and coated PVC core anchor strip (centered; 2 in. wide by 3/8 in. thick)
 - Integrated anchor strip allows fastener attachment (glass panel tracks/door units)
 - Sloped on top surface
 - Made in USA.**

Shower Niches

wedi® Shower Niche

	Item Name	Width x Height x Depth	Unit	Item #	Description
	wedi® Shower Niche 16"x12"	16 in. x 12 in. x 4 in. (ext.) 12 in. x 8 in. x 3 1/2 in. (int.)	1 pc	US3000004	Tileable niches for recess into shower walls with interior niche dimensions of 12 x 8 x 3 1/2 in. (W x H x D)
	wedi® Shower Niche 16"x16"	16 in. x 16 in. x 4 in. (ext.) 12 in. x 12 in. x 3 1/2 in. (int.)	1 pc	US3000005	Tileable niches for recess into shower walls with interior niche dimensions of 12 x 12 x 3 1/2 in. (W x H x D)
	wedi® Shower Niche 16"x22"	16 in. x 22 in. x 4 in. (ext.) 12 in. x 18 in. x 3 1/2 in. (int.) incl. removable shelf	1 pc	US3000007	Tileable niches for recess into shower walls with interior niche dimensions of 12 x 18 x 3 1/2 in. (W x H x D) and with one removable and tileable 2 inch shelf
	wedi® Shower Niche 16"x28"	16 in. x 28 in. x 4 in. (ext.) 12 in. x 24 in. x 3 1/2 in. (int.) incl. removable shelf	1 pc	US3000248	Tileable niches for recess into shower walls with interior niche dimensions of 12 x 24 x 3 1/2 in. (W x H x D) and with one removable and tileable 2 inch shelf

- i** Installation into cavities of 16 inch o.c. framed walls made from 2 x 4's.
 - Made in USA.**

i For options and pricing, refer to wedi's Illustrated Price List or www.wedicorp.com.

i Retail Price column reflects suggested per piece/unit retail pricing in USD.

Scan code to view
current installation
manuals and videos



Shower Niches

wedi® Shower Niche ■ Continued

	Item Name	Width x Height x Depth	Unit	Item #	Description
	wedi® Shower Niche 16"x30" CAT	16 in. x 30 in. x 4 in. (ext.) 12 in. x 26 in. x 3 1/2 in. (int.) incl. removable shelf; peaked top	1 pc	US3000016	Tileable niches for recess into shower walls with interior niche dimensions of 12 x 26 x 3 1/2 in. (W x H x D) and cathedral peaked top and with one removable and tileable 2 inch shelf
	wedi® Shower Niche 16"x32"	16 in. x 32 in. x 4 in. (ext.) 12 in. x 28 in. x 3 1/2 in. (int.) incl. removable shelf	1 pc	US3000051	Tileable niches for recess into shower walls with interior niche dimensions of 12 x 28 x 3 1/2 in. (W x H x D) and with one removable and tileable 2 inch shelf
	wedi® Shower Niche 16"x42"	16 in. x 42 1/4 in. x 4 in. (ext.) 12 in. x 38 1/4 in. x 3 1/2 in. (int.) incl. 2 removable shelves	1 pc	US3000024	Tileable niches for recess into shower walls with interior niche dimensions of 12 x 38 1/4 x 3 1/2 in. (W x H x D) and with two removable and tileable 2 inch shelves

i ■ Installation into cavities of 16 inch o.c. framed walls made from 2 x 4's.

■ **Made in USA.**



Shelves, included with some shower niche models, can be placed where they best fit the design, adhered with wedi Joint Sealant, and tiled directly. For an upgraded shower niche shelf in glass, stainless steel or matte black, please see page 19.

Installation Accessories

wedi® Joint Sealant

	Item Name	Usage Amount / Optional or Needed	Contents	Unit	Item #	Description
	wedi® Joint Sealant Tube	approx. 1.2 oz. per ft ² of wedi building panel on walls covers your needs for shower wall, base and curb installation; Prefabricated modules and design upgrades may require additional wedi® Joint Sealant.	10.5 oz.	12/case full cases only	US5000013	10.5 oz cartridge of SMP hybrid sealant to waterproof and connect wedi assemblies
	wedi® Joint Sealant Sausage	approx. 1.2 oz. per ft ² of wedi building panel on walls covers your needs for shower wall, base and curb installation; Prefabricated modules and design upgrades may require additional wedi® Joint Sealant.	20 oz.	20/case full cases only	US5000010	20 oz foil sausage of SMP hybrid sealant to waterproof and connect wedi assemblies

i Permanently flexible, waterproof sealant and adhesive for joint treatment.

Made in USA.

wedi® Sealant 620

	Item Name	Usage Amount / Optional or Needed	Contents	Unit	Item #	Description
	wedi® Sealant 620 Cartridge	1.5 linear feet of 2 in. overlap; or flashing up wall per ounce	10.5 oz.	12/case full cases only	US5000088	10.5 oz cartridge of SMP hybrid sealant to waterproof and vaporproof wedi assemblies in steam rooms
	wedi® Sealant 620 Sausage	1.5 linear feet of 2 in. overlap; or flashing up wall per ounce	20 oz.	20/case full cases only	US5000083	20 oz foil sausage of SMP hybrid sealant to waterproof and vaporproof wedi assemblies in steam rooms

i Used with wedi® Subliner Dry Sealing Tape, wedi® Subliner Dry Sheet membranes, or wedi® Vapor 85 Building Panels.
Made in Germany.

i For options and pricing, refer to wedi's Illustrated Price List or www.wedicorp.com.


i Retail Price column reflects suggested per piece/unit retail pricing in USD.

Scan code to view
current installation
manuals and videos





Installation Accessories

wedi® Corner Putty Knife

	Item Name	Usage	Unit	Item #	Description
	wedi® Corner Putty Knife	Used to spread joint sealant evenly and into corners/seams.	1 pc	US5000044	For application of wedi sealants over corner seams



i Made in USA.

wedi® Sealant Gun

	Item Name	Usage	Unit	Item #	Description
	wedi® Sealant Gun	Used to evenly disperse joint sealant	1 pc	US5000019	For cartridge and sausage sealant
	wedi® Sealant Gun Tip	Replacement tips for gun	10 pcs/box	US5000020	Replacement nozzle tips (hard-plastic)

i Made in Taiwan.

wedi® Subliner Dry

	Item Name	Width × Roll Length	Unit	Item #	Description
	wedi® Subliner Dry 53 ft²	39 in. × 16 ft. (53 sqft)	1 roll	US5000001	Tileable waterproof sheet membrane (53 sft roll)
	wedi® Subliner Dry 323 ft²	39 in. × 98 ft. (323 sqft)	1 roll	US5000005	Tileable waterproof sheet membrane (323 sft roll)

i Made in USA.


i For options and pricing, refer to wedi's Illustrated Price List or www.wedicorp.com.

i Retail Price column reflects suggested per piece/unit retail pricing in USD.




Installation Accessories

wedi® Subliner Dry Sealing Tape ■ Tileable waterproof sheet membrane tape

	Item Name	Width × Roll Length	Unit	Item #	Description
	wedi® Subliner Dry Sealing Tape	5 in. x 32.8 ft.	1 roll	US5000002	Tileable waterproof sheet membrane tape (32 ft roll)

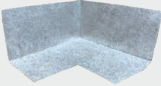
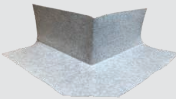
i Also for use within wedi® Subliner Dry, wedi® Vapor 85 applications, and installs with wedi® Sealant 620 for waterproof performance of seams throughout.
Made in USA.

wedi® Subliner Dry Tub Tape

	Item Name	Width × Roll Length	Unit/Box	Item #	Description
	wedi® Subliner Dry Tub Tape	4 3/4 in. × 11 ft	1 roll	US5000084	Waterproofing sheet membrane tape for tub to wall transition waterproofing

i Used with acrylic and plastic tubs and showers to waterproof tub edges without nailing flange to wall assemblies.
Made in USA.

wedi® Subliner Dry Corners ■ Tileable waterproof sheet membrane tape details for construction corner areas

	Item Name	Usage	Dimensions	Unit	Item #	Description
	wedi® Subliner Dry Inside Corner	Apply to any inside corner within 36 in. of the shower	4 3/4 in. x 4 3/4 in. x 2 1/4 in.	2 pcs/bag	US5000007	Tileable waterproof sheet membrane tape details for construction inner corner areas
	wedi® Subliner Dry Outside Corner	Apply to any outside corner within 36 in. of the shower; inc. between base & floor	4 3/4 in. x 4 3/4 in. x 2 1/4 in.	2 pcs/bag	US5000008	Tileable waterproof sheet membrane tape details for construction outer corner areas

i Also for use within wedi® Subliner Dry, wedi® Vapor 85 applications, and installs with wedi® Sealant 620 for waterproof performance of seams throughout.
Made in USA.

i For options and pricing, refer to wedi's Illustrated Price List or www.wedicorp.com.



i Retail Price column reflects suggested per piece/unit retail pricing in USD.

Scan code to view
current installation
manuals and videos



Installation Accessories

wedi® Subliner Dry Sealing Collars



	Item Name	Usage	Dimensions	Unit	Item #	Description
	wedi® Subliner Dry Pipe Seal	Flexi collar for sealing around 1/2 in. to 3/4 in. shower pipe protrusions	4 3/4 in. x 4 3/4 in.	1 pc	US5000033*	To waterproof shower head protrusions in shower walls
	wedi® Subliner Dry Mixing Valve Seal	Flexi collar for sealing around Mixing Valve	ø 3 15/16 in.	1 pc	US5000000	To waterproof mixing valve protrusions in shower walls

i These can be installed in all shower and steam room installations with wedi® Subliner Dry and the wedi® Vapor 85 system. In steam room installations be sure to use wedi® Sealant 620. In wedi® Fundo shower assemblies and where applied over wedi® Building Panel, you may use regular wedi® Joint Sealant to install the products.

Made in USA.

*Made in Germany.


wedi® Fastener Kits

	Item Name	Usage Amount / Optional or Needed	Contents	Unit	Item #	Description
	wedi® Fastener Kit	Plan to use 1 wedi screw and washer per ft ² of wedi Building Panel	100 wedi Coarse Thread Screws 1 5/8 in. and 100 wedi Tab Steel Washers	1 pc	US5000070	100 ct wedi Tab washers and screws
	wedi® Tabless Fastener Kit	Use for flooring with 1/4 in. panel, as well as with the wedi Vapor 85 Building Panel. Plan to use 1 wedi screw and washer per ft ² of wedi Building Panel	100 wedi Coarse Thread Screws 1 5/8 in. and 100 wedi Tabless Steel Washers	1 pc	US5000086	100 ct wedi Tabless washers and screws

i Phillips head for wood studs, premium ceramic coating (ACQ Compliant). For installation to wooden and metal framework (20 gauge). Tabbed washers provide four tabs for fast and secure placement. wedi Washers provide a solid gauge according to ISO standards and less potential for deformation. Load capabilities are independently tested.

Washers **made in USA**. Screws made in Taiwan and Vietnam.

wedi® Washer Master Pack

	Item Name	Diameter	Unit/Box	Item #	Description
	wedi® Washer Master Pack	1 1/4 in.	1000 pcs	US5000009	1000 ct wedi Tab washers

i Tabbed washers provide four tabs for fast and secure placement. wedi Washers provide a solid gauge according to ISO standards and less potential for deformation. Load capabilities are independently tested.

Made in USA.

i For options and pricing, refer to wedi's Illustrated Price List or www.wedicorp.com.



i Retail Price column reflects suggested per piece/unit retail pricing in USD.

Scan code to view
current installation
manuals and videos




Installation Accessories

wedi® Screws

	Item Name	Length	Unit/Box	Item #	Description
	wedi® Screws Master Pack	1 5/8 in.	1000 pcs	US5000012	1000 ct wedi Screws
	wedi® Selftapping Screws	1 1/4 in.	100 pcs	US5000018	100 ct wedi selftapping screws

i Phillips head; Non- Rust Screws with ceramic coating (ACQ compliant) Use Non-Rust Screws with wood or metal framing 20 gauge or lighter. For heavier gauge metal framing use Self-Tapping Screws.
Made in Taiwan and Vietnam.

wedi® Curbless Shower Recess Kit

	Item Name	Dimensions / Additional Information	Unit	Item #	Description
	wedi® Curbless Shower Recess Kit	5 ft. x 5 ft. For 3/4 in. thick plywood.	1 pc	US5000085	Bracket system to recess shower areas up to 5x5 ft. in size in 3/4 plywood subfloors

i For recessing plywood floors between floor joists.
For a wedi Fundo® Curbless Shower Base up to 60 in. x 60 in. (1524 x 1524 mm) in size.
Can be used with 16 in. o.c. 2 x 10 solid joists as well as engineered joists.





Made in USA.

Kit includes:

- 30 x C Brackets
- 10 x Joist Brackets
- 60 x Flat head Phillips wood screws
- 40 x Long flat head Phillips self-drilling screws with wings
- 160 x Short flat head Phillips self-drilling screws with wings

Drain & Drain Replacement Parts

wedi® Fundo Click and Seal® Drain

	Item Name	Product Information	Unit	Item #	Description
	wedi Fundo® Click and Seal® Drain Kit 2"	includes drain body, sealing gasket, compression spacer, locking nut, strainer key, lubricant	1 pc	US9400101	Drain unit kit for wedi Shower Bases
	wedi Fundo® Click and Seal® Replacement Kit Copper Pipe	includes special sealing gasket and compression spacer for copper pipe, lubricant	1 pc	US9400100	For sealing gasket connections to copper waste pipe
	wedi Fundo® Click and Seal® Height Adjustment Kit	includes Drain Cover Extension, Alignment Ring 1, Snap Ring 2	1 pc	077000054	Kit to adjust height of drain covers by up to 1 1/4 inches, allows it to rotate, and allows it to move laterally by 3/16 inch in all directions to adjust to the tile and grout layout.
	wedi Fundo® Click and Seal® Lube Kit	includes 20 1 cc tubes of Click and Seal lubricant	20 tubes/box	US9400001*	20 units of silicone based, synthetic wedi lubricant for Click and Seal drain installations

i For purchase as replacement units. Click and Seal™ drains are included with individual shower bases and shower kits.

- Made in Portugal
- * **Made in USA.**

i For options and pricing, refer to wedi's Illustrated Price List or www.wedicorp.com.


i Retail Price column reflects suggested per piece/unit retail pricing in USD.

Scan code to view
current installation
manuals and videos




Point Drain Covers

wedi® Drain Cover Stainless Steel

	Item Name	Length x Width x Thickness	Unit	Item #	Description
	wedi® Drain Cover Stainless Steel	3 3/4 x 3 3/4 in. x 1/4 in.	1 pc	US1000057	Drain cover and frame made from stainless steel with brushed finish


- i**
 - For use with wedi Fundo® Shower Base and wedi Fundo® Curbless Shower Base.
 - Consists of the cover and frame.
 - **Made in USA.**

wedi® Drain Cover Oil Rubbed Bronze

	Item Name	Length x Width x Thickness	Unit	Item #	Description
	wedi® Drain Cover Oil Rubbed Bronze	3 3/4 x 3 3/4 in. x 1/4 in.	1 pc	US1000056	Drain cover and frame made from stainless steel with lightly brushed/buffed finish

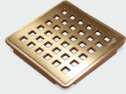
- i**
 - For use with wedi Fundo® Shower Base and wedi Fundo® Curbless Shower Base.
 - Consists of the cover and frame.
 - **Made in USA.**

wedi® Drain Cover Gold

	Item Name	Length x Width x Thickness	Unit	Item #	Description
	wedi® Drain Cover Gold	3 3/4 x 3 3/4 in. x 1/4 in.	1 pc	US1000055	Drain cover and frame made from stainless steel with mildly lightly brushed/buffed finish

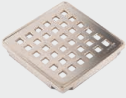
- i**
 - For use with wedi Fundo® Shower Base and wedi Fundo® Curbless Shower Base.
 - Consists of the cover and frame.
 - **Made in USA.**

wedi® Drain Cover Brass

	Item Name	Length x Width x Thickness	Unit	Item #	Description
	wedi® Drain Cover Brass	3 3/4 x 3 3/4 in. x 1/4 in.	1 pc	US1000062	Drain cover and frame made from stainless steel with brushed finish

- i**
 - For use with wedi Fundo® Shower Base and wedi Fundo® Curbless Shower Base.
 - Consists of the cover and frame.
 - **Made in USA.**

wedi® Drain Cover Chrome

	Item Name	Length x Width x Thickness	Unit	Item #	Description
	wedi® Drain Cover Chrome	3 3/4 x 3 3/4 in. x 1/4 in.	1 pc	US1000054	Drain cover and frame made from stainless steel with lightly brushed/buffed finish

- i**
 - For use with wedi Fundo® Shower Base and wedi Fundo® Curbless Shower Base.
 - Consists of the cover and frame.
 - **Made in USA.**

i For options and pricing, refer to wedi's Illustrated Price List or www.wedicorp.com.

i Retail Price column reflects suggested per piece/unit retail pricing in USD.

Scan code to view
current installation
manuals and videos




Point Drain Covers

wedi® Drain Cover Matte Black

	Item Name	Length x Width x Thickness	Unit	Item #	Description
	wedi® Drain Cover Matte Black	3 3/4 x 3 3/4 in. x 1/4 in.	1 pc	US1000058	Drain cover and frame made from stainless steel with lightly brushed/buffed finish

- i** For use with wedi Fundo® Shower Base and wedi Fundo® Curbless Shower Base.
 - Consists of the cover and frame.
 - Made in USA.**

wedi® Drain Cover Chrome Slotted

	Item Name	Length x Width x Thickness	Unit	Item #	Description
	wedi® Drain Cover Chrome Slotted	3 3/4 x 3 3/4 in. x 1/4 in.	1 pc	US1000053	Drain cover and frame made from stainless steel with lightly brushed/buffed finish and slotted design

- i** For use with wedi Fundo® Shower Base and wedi Fundo® Curbless Shower Base.
 - Consists of the cover and frame.
 - Made in USA.**

wedi® Drain Cover Tileable 1/4"

	Item Name	Top View	Length x Width x Thickness	Unit	Item #	Description
	wedi® Drain Cover Tileable 1/4"		3 3/4 x 3 3/4 in. x 1/4 in.	1 pc	US1000060	Drain cover with tile-in grate and frame made from stainless steel for use with 1/4 inch tile

- i** For use with wedi Fundo® Shower Base and wedi Fundo® Curbless Shower Base.
 - For use with tile assemblies 1/4 in. thick.
 - Consists of the cover and frame.
 - Made in USA.**
- Tileable cover plate surface is elevated 1/16 in. over tile surface of a Fundo base. For a flush tile installation, wedi® Joint Sealant spot bonding may be used to install the tile inside the cover so height is reduced versus the thinset bed build up under the tile on the shower base.

wedi® Drain Cover 3/8"

	Item Name	Top View	Length x Width x Thickness	Unit	Item #	Description
	wedi® Drain Cover Tileable 3/8"		3 3/4 x 3 3/4 in. x 3/8 in.	1 pc	US1000047	Drain cover with tile-in grate and frame made from stainless steel for use with 3/8 inch tile

- i** For use with wedi Fundo® Shower Base and wedi Fundo® Curbless Shower Base.
 - For use with tile assemblies 3/8 in. thick.
 - Consists of the cover and frame.
 - Made in USA.**
- Tileable cover plate surface is elevated 1/16 in. over tile surface of a Fundo base. For a flush tile installation, wedi® Joint Sealant spot bonding may be used to install the tile inside the cover so height is reduced versus the thinset bed build up under the tile on the shower base.

i For options and pricing, refer to wedi's Illustrated Price List or www.wedicorp.com.

i Retail Price column reflects suggested per piece/unit retail pricing in USD.

Scan code to view
current installation
manuals and videos



Linear Drain Covers

wedi® Linear Drain Cover SS

	Item Name	Close Up	Width × Length × Height	Unit	Item #	Description
	wedi® Linear Drain Cover SS27		1 49/64 in. x 27 11/64 in. x 33/64 in.	1 pc	US1000084	Drain cover made from Stainless Steel with brushed finish in 27 inch length
	wedi® Linear Drain Cover SS43		1 49/64 in. x 42 29/32 in. x 33/64 in.	1 pc	US1000085	Drain cover made from Stainless Steel with brushed finish in 43 inch length

- i** For use with wedi Fundo® Linear Shower Bases or Line Modules.
- Consists of cover and supports. For installation heights of between 3/16 in. to 1in.
- Made in USA.**

wedi® Linear Drain Cover T

	Item Name	Close Up	Width × Length × Height	Unit	Item #	Description
	wedi® Linear Drain Cover T27		1 49/64 in. x 27 11/64 in. x 33/64 in.	1 pc	US1000086	Drain cover made from Stainless Steel with tileable finish in 27 inch length
	wedi® Linear Drain Cover T43		1 49/64 in. x 42 29/32 in. x 33/64 in.	1 pc	US1000087	Drain cover made from Stainless Steel with tileable finish in 43 inch length

- i** For use with wedi Fundo® Linear Shower Bases or Line Modules.
- Consists of cover and set of supports. For tile installation heights of between 3/16 in. to 1 in. Reverse for thinner or thicker tile.
- Made in USA.**

wedi® Linear Drain Cover MB

	Item Name	Close Up	Width × Length × Height	Unit	Item #	Description
	wedi® Linear Drain Cover MB27		1 49/64 in. x 27 11/64 in. x 33/64 in.	1 pc	US1000082	Drain cover made from Stainless Steel with lightly brushed/buffed finish in 27 inch length
	wedi® Linear Drain Cover MB43		1 49/64 in. x 42 29/32 in. x 33/64 in.	1 pc	US1000083	Drain cover made from Stainless Steel with lightly brushed/buffed finish in 43 inch length

- i** For use with wedi Fundo® Linear Shower Bases or Line Modules.
- Consists of cover and supports. For installation heights of between 3/16 in. to 1 in.
- Made in USA.**

i For options and pricing, refer to wedi's Illustrated Price List or www.wedicorp.com.





i Retail Price column reflects suggested per piece/unit retail pricing in USD.

Scan code to view
current installation
manuals and videos





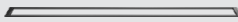

Linear Drain Covers

wedi® Linear Drain Cover Frame MB

	Item Name	Close Up	Width × Length × Height	Unit	Item #	Description
	wedi® Linear Drain Cover Frame SS27		2 9/16 in. x 28 in. x 1/4 in.	1 pc	676800061	Drain cover Frame trim made from Stainless Steel with brushed finish. For use with wedi Linear Drain Covers in 27 inch length.
	wedi® Linear Drain Cover Frame SS43		2 9/16 in. x 43 25/32 in. x 1/4 in.	1 pc	676800064	Drain cover Frame trim made from Stainless Steel with brushed finish. For use with wedi Linear Drain Covers in 43 inch length.

- i** For use with wedi Fundo® Linear Shower Bases or Line Modules. Used to separate/protect tile assembly edges and transition to linear drain and drain cover.
 - Consists of frame and support foam spacer. Made of brushed stainless steel.
 - Made in USA.**

NEW wedi® Linear Drain Cover Frame MB

	Item Name	Close Up	Width × Length × Height	Unit	Item #	Description
	wedi® Linear Drain Cover Frame MB27		2 9/16 in. x 28 in. x 1/4 in.	1 pc	US1000088	Drain cover Frame trim made from Stainless Steel with matte black finish. For use with wedi Linear Drain Covers in 27 inch length.
	wedi® Linear Drain Cover Frame MB43		2 9/16 in. x 43 25/32 in. x 1/4 in.	1 pc	US1000089	Drain cover Frame trim made from Stainless Steel with matte black finish. For use with wedi Linear Drain Covers in 43 inch length.

- i** For use with wedi Fundo® Linear Shower Bases or Line Modules. Used to separate/protect tile assembly edges and transition to linear drain and drain cover.
 - Consists of frame and support foam spacer. Made of brushed stainless steel.
 - Made in USA.**

Shower Niche Shelves

wedi® Shower Niche Shelves

	Item Name	Length × Width × Thickness	Material	Unit	Item #	Description
	wedi® Shower Niche Shelf Glass	11 7/8 in. x 3 1/2 in. x 3/8 in.	tempered glass	1 pc	US3000050	Solid Niche Shelf made from low iron, clear safety glass with pencil polish finish front in 11 7/8 x 3 1/2 x 3/8 inch (L x W x T)
	wedi® Shower Niche Shelf Stainless Steel	11 7/8 in. x 3 1/2 in. x 1/8 in.	stainless steel, brushed	1 pc	US3000245	Slotted Niche Shelf with made from stainless steel with brushed finish in 11 7/8 x 3 1/2 x 1/8 inch (L x W x T)
	wedi® Shower Niche Shelf Matte Black	11 7/8 in. x 3 1/2 in. x 1/8 in.	aluminum, anodized in matte black	1 pc	US3000246	Slotted Niche Shelf made from aluminum with Matte Black finish in 11 7/8 x 3 1/2 x 1/8 inch (L x W x T)



- i** For integration into prefabricated wedi. Shower Niches with 12-inch-wide openings. The shelves are made from 3/8-inch-thick, low-iron, fully-tempered clear safety glass; 1/8 inch thick 304 stainless steel brushed; or 1/8 inch aluminum anodized in matte black. These shelves may be installed to rest on vertical tiles installed on sides and back inside the niches. Clear silicone or grout color matching expansion joint material (sealant/caulk) should be used in joints between shelves and tile. It is recommended to protect the shelves with temporary tape to avoid these materials getting on shelf surfaces that will be visible later.

Made in USA.

i For options and pricing, refer to wedi's Illustrated Price List or www.wedicorp.com.

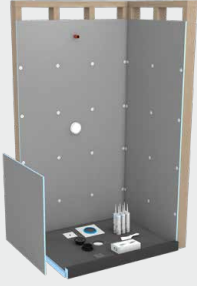

i Retail Price column reflects suggested per piece/unit retail pricing in USD.

Scan code to view
current installation
manuals and videos



wedi Fundo® Shower Kits

wedi Fundo® Shower Kit ■ Waterproofing System for tiled shower floors with center or off-center point drain

	Drain location	Size of Base Included	Unit	Item #
	Center Drain	36 in. x 36 in.	1 kit	US2000002
	Center Drain	36 in. x 48 in.	1 kit	US2000009
	Center Drain	36 in. x 60 in.	1 kit	US2000003
	Center Drain	36 in. x 72 in.	1 kit	US2000001
	Off-Center Drain	36 in. x 72 in.	1 kit	US2000008
	Center Drain	42 in. x 42 in.	1 kit	US2000015
	Center Drain	42 in. x 60 in.	1 kit	US2000013
	Center Drain	42 in. x 72 in.	1 kit	US2000014
	Center Drain	48 in. x 48 in.	1 pc	US2000010
	Center Drain	48 in. x 60 in.	1 pc	US2000011
	Center Drain	48 in. x 72 in.	1 pc	US2000012

- i** Save time and money when using wedi Fundo® Shower Kits when compared to retail pricing for comparable a la carte products needed to build a shower of the same size.
- wedi® Drain Cover Stainless Steel included and select other drain covers are sold separately.
 - See technical drawing for wedi Fundo® Shower Base for shower floor design and drain location information in the Technical Drawings section of this book.
 - Assembled in USA from content **made in USA**

Each kit includes:

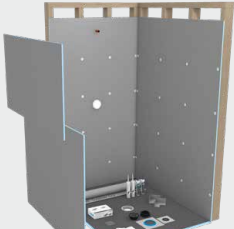
- pre-sloped shower base in selected size
- wedi® Building Panels to cover three shower walls (one long side, two short side walls) up to 80 inches tall
- Fundo Click and Seal™ Drain unit
- wedi® Drain Cover Stainless Steel
- 10.5 oz tubes of wedi® Joint Sealant
- wedi® Shower Curb Lean
- wedi® Fastener Kit (1 screws/washers 100 count box)
- wedi® Corner Putty Knife
- wedi® Subliner Dry Mixing Valve Seal
- wedi® Subliner Dry Pipe Seal

i For options and pricing, refer to wedi's Illustrated Price List or www.wedicorp.com.



wedi Fundo® Shower Kits

wedi Fundo® Curbless Shower Kit ■ Waterproofing System for tiled curbless shower floors with center point drain


	Drain location	Size of Base Included	Unit	Item #
	Center Drain	36 in. x 60 in.	1 kit	US2000060
	Center Drain	42 in. x 42 in.	1 kit	US2000063
	Center Drain	48 in. x 60 in.	1 kit	US2000061



- i** Save time and money when using wedi Fundo® Shower Kits when compared to retail pricing for comparable a la carte products needed to build a shower of the same size.
- wedi® Drain Cover Stainless Steel included and select other drain covers are sold separately.
 - See technical drawing for wedi Fundo® Curbless Shower Base for shower floor design and drain location information in the Technical Drawings section of this book.
 - Assembled in USA from content **made in USA**

- Each kit includes:**
- pre-sloped curbless shower base in selected size
 - wedi® Building Panels to cover three shower walls (one long side, two short side walls) up to 80 inches tall
 - Fundo Click and Seal™ Drain unit
 - wedi® Drain Cover Stainless Steel
 - 10.5 oz tubes of wedi® Joint Sealant
 - 10.5 oz tubes of wedi® Sealant 620
 - wedi® Subliner Dry 53 ft²
 - wedi® Subliner Outside Corners
 - wedi® Fastener Kit (1 screws/washers 100 count box)
 - wedi® Corner Putty Knife
 - wedi® Subliner Dry Mixing Valve Seal
 - wedi® Subliner Dry Pipe Seal

wedi Fundo® Linear Shower Kit ■ Waterproofing System for tiled shower floors with linear drain

	Base type	Size of Base Included	Unit	Item #
	Linear Drain Shower System	wedi® Linear Drain Module and Extension Module for a 32 in. x 72 in. shower space	1 kit	US2000062



- i** Save time and money when using wedi Fundo® Shower Kits when compared to retail pricing for comparable a la carte products needed to build a shower of the same size.
- wedi® Linear Drain Cover SS27 included and select other drain covers are sold separately.
 - See technical drawing for wedi Fundo® Linear bases for shower floor design and drain location information in the Technical Drawings section of this book.
 - Assembled in USA from content **made in USA** and Germany.

- Each kit includes:**
- wedi® Linear Drain Shower Module 32"
 - wedi® Linear Drain Shower Extension 32"
 - wedi® Building Panels to cover three shower walls (one long side, two short side walls) up to 80 inches tall
 - Fundo Click and Seal™ Drain unit
 - wedi® Linear Drain Cover SS27
 - 10.5 oz tubes of wedi® Joint Sealant
 - wedi® Shower Curb Lean
 - wedi® Fastener Kit (1 screws/washers 100 count box)
 - wedi® Corner Putty Knife
 - wedi® Subliner Dry Mixing Valve Seal
 - wedi® Subliner Dry Pipe Seal

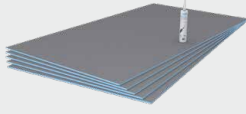
i Retail Price column reflects suggested per piece/unit retail pricing in USD.

Scan code to view
current installation
manuals and videos



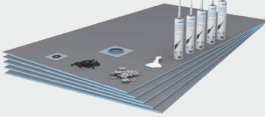
wedi® Building Panel Kits

wedi® Flooring Panel Kit

	Item Name	Kit Contents	Unit	Item #	Description
	wedi® Flooring Panel Kit	includes: (5) wedi® Building Panel 24"x48"x1/4" (1) wedi® Joint Sealant Tube (40) wedi® Tabless Washers and wood screws	1 kit	US4000002	40 sft tile underlayment kit for waterproof flooring installations

- i** For bathroom floors as waterproof underlayment for tile
 - Especially for use with electric floor warming systems.
 - Assembled in USA from content **made in USA** and Germany.

wedi® Tub & Shower Wall Kit

	Item Name	Kit Contents	Unit	Item #	Description
	wedi® Tub and Shower Wall Kit	includes: (5) wedi® Building Panel 36"x60"x1/2" (5) wedi® Joint Sealant Tubes (1) wedi® Subliner Dry Pipe Seal (1) wedi® Subliner Dry Mixing Valve Seal (1) wedi® Corner Putty Knife (1) wedi® Fastener Kit	1 kit	US4000001	For 3x5 ft tub to tiled shower conversions

- i** For waterproof tub surrounds or shower wall surrounds.
 - Made in USA.**

i For options and pricing, refer to wedi's Illustrated Price List or www.wedicorp.com.



 1160 Pierson Dr.

Batavia, IL 60502

 1-847-357-9815

 [info@wedicorp.com/](mailto:info@wedicorp.com)

 www.wedicorp.com



1Z/23. US7000227.
Subject to change without notice. Images similar.

EN